



# Oberthur Technologies Eutерpe on Terpsichore IAS ECC v1.0.1 on ID-One Cosmo V7.0.1-a

Public Security target

November 23<sup>th</sup> 2011



## INDEX

<b>1.</b>	<b>INTRODUCTION .....</b>	<b>3</b>
1.1.	SECURITY TARGET REFERENCE .....	3
1.2.	REFERENCES .....	3
1.3.	ABBREVIATIONS.....	5
<b>2.</b>	<b>TARGET OF EVALUATION DESCRIPTION.....</b>	<b>7</b>
2.1.	TARGET OF EVALUATION OVERVIEW .....	7
2.1.1.	TOE type .....	7
2.1.2.	Logical scope.....	7
2.1.3.	Physical scope .....	8
2.1.4.	Usage and major security features of the TOE.....	10
2.2.	TARGET OF EVALUATION REFERENCE .....	12
2.3.	DESCRIPTION OF THE EMBEDDED SOFTWARE .....	13
2.3.1.	Description of data structure .....	13
2.3.2.	Access Control Management.....	17
2.3.3.	Authentication of entities .....	17
2.3.4.	eServices.....	18
2.3.5.	Administration of the TOE.....	18
2.3.6.	Single Sign on feature (SSO) .....	19
2.3.7.	Scope of evaluation .....	20
2.4.	INTENDED USAGE .....	20
2.5.	LIFE CYCLE .....	21
2.5.1.	Description of the TOE Environment.....	23
2.5.2.	Development environment .....	23
2.5.3.	Production environment .....	24
	Operational environment.....	26
2.5.4.	Coverage of the different Life cycle state by the assurance components AGD & ALC.....	26
2.5.5.	State of the TOE depending on the phase.....	27
2.5.6.	Mapping with the life cycle and Subjects described in [SSCD2] and [SSCD3].....	28
<b>3.</b>	<b>TARGET OF EVALUATION SECURITY ENVIRONMENT .....</b>	<b>30</b>
3.1.	REMOTE IT ENTITY .....	30
3.2.	SUBJECTS.....	31
3.3.	USER DATA .....	33
3.4.	TSF DATA .....	34
3.5.	ASSUMPTION.....	36
3.5.1.	Standard Assumption .....	36
3.5.2.	Complementary Assumption.....	36
3.6.	THREATS.....	37
3.6.1.	Standard threats .....	37
3.6.2.	Complementary threats.....	38
3.7.	ORGANIZATIONAL SECURITY POLICIES.....	39
3.7.1.	Standard organizational security policies .....	39
3.7.2.	Complementary organizational security policies.....	39
3.8.	SECURITY OBJECTIVES FOR THE TOE .....	40
3.8.1.	Standard security objectives of the TOE .....	40
3.8.2.	Complementary security objectives of the TOE.....	42
3.9.	SECURITY OBJECTIVES FOR THE ENVIRONMENT .....	44
3.9.1.	Standard security objectives of the Environment .....	44
3.9.2.	Complementary security objectives of the Environment.....	45
3.10.	TOE SECURITY FUNCTIONAL REQUIREMENTS.....	46
3.10.1.	FCS: CRYPTOGRAPHIC SUPPORT .....	46
3.10.2.	FDP : USER DATA PROTECTION.....	50
3.10.3.	FIA: IDENTIFICATION AND AUTHENTICATION.....	68

3.10.4.	FMT: SECURITY MANAGEMENT .....	70
3.10.5.	FPT: PROTECTION OF THE TSF.....	73
3.10.6.	FTP: TRUSTED PATH/CHANNELS .....	75
<b>3.11.</b>	<b>SECURITY REQUIREMENTS FOR THE IT ENVIRONMENT .....</b>	<b>77</b>
3.11.1.	Signature key generation (SSCD Type1) .....	77
3.11.2.	Certification generation application (CGA) .....	80
3.11.3.	Signature creation application (SCA).....	82
3.11.4.	Interface Device (IFD) .....	85
<b>3.12.</b>	<b>SECURITY REQUIREMENTS FOR THE ADMINISTRATOR .....</b>	<b>85</b>
<b>3.13.</b>	<b>SECURITY REQUIREMENTS FOR THE PERSONALIZER AND TOE_ADMINISTRATOR .....</b>	<b>86</b>
<b>3.14.</b>	<b>SECURITY REQUIREMENTS FOR THE NON-IT ENVIRONMENT.....</b>	<b>86</b>
3.14.1.	Standard security requirements .....	86
3.14.2.	Complementary security requirements .....	87
<b>4.</b>	<b>TOE SUMMARY SPECIFICATION.....</b>	<b>87</b>
<b>4.1.</b>	<b>SECURITY FUNCTION OF THE TOE.....</b>	<b>87</b>
4.1.1.	Security functions provided by the javacard open platform .....	87
4.1.2.	Security functions added by the composite TOE .....	88
4.1.3.	Composition with the Security functions provided of the javacard Open platform .....	94
4.1.4.	Dependencies of the Security functions .....	95
<b>4.2.</b>	<b>SECURITY ASSURANCE REQUIREMENTS .....</b>	<b>98</b>
4.2.1.	Evaluation Assurance Level rationale .....	98
4.2.2.	ADV : Development.....	98
4.2.3.	AGD : Guidance .....	98
4.2.4.	ALC : Life Cycle.....	99
4.2.5.	ASE : Security target.....	99
4.2.6.	ATE : Tests.....	99
4.2.7.	VAN : Vulnerability Analysis .....	99
<b>4.3.</b>	<b>EAL AUGMENTATIONS RATIONALE .....</b>	<b>100</b>
4.3.1.	AVA_VAN.5 Advanced methodical vulnerability analysis.....	100
4.3.2.	ALC_DVS.2 Sufficiency of security measures .....	100
4.3.3.	ATE_DPT.2 Testing: security enforcing modules .....	100
<b>5.</b>	<b>CONFORMANCE CLAIMS .....</b>	<b>101</b>
<b>5.1.</b>	<b>CONFORMANCE CLAIM TO CC.....</b>	<b>101</b>
<b>5.2.</b>	<b>PROTECTION PROFILE REFERENCE.....</b>	<b>101</b>
<b>5.3.</b>	<b>CONFORMANCE CLAIM RATIONALE.....</b>	<b>101</b>
5.3.1.	Rationale for TOE objectives .....	102
5.3.2.	Rationale for threats .....	102
5.3.3.	Rationale for Assumptions .....	103
5.3.4.	Rationale for Organisational Security Policies.....	103
5.3.5.	Rationale for Environment objectives .....	103
5.3.6.	Rationale for Security requirements.....	104
<b>5.4.</b>	<b>SECURITY OBJECTIVES RATIONALE .....</b>	<b>104</b>
<b>6.</b>	<b>ANNEX A : EXTENDED FAMILY .....</b>	<b>111</b>
<b>6.1.</b>	<b>DEFINITION OF FPT_EMSEC .....</b>	<b>111</b>
<b>6.2.</b>	<b>DEFINITION OF FCS_RNG.....</b>	<b>112</b>

## 1. Introduction

### 1.1. Security Target Reference

The Security target is identified as follows:

<b>Title:</b>	<b>EUTERPE on Terpsichore – IAS ECC v1.0.1 on ID-One Cosmo V7.0.1-a - Public Security target</b>
Reference:	FQR 110 5598 edition 3
Editor:	Oberthur Technologies
CC version:	3.1 revision 3
EAL:	EAL4 augmented with AVA_VAN.5, ATE_DPT.2 and ALC_DVS.2

### 1.2. References

[SSCD2]	Secure Signature-Creation Device Type2, 1.04, EAL 4+
[SSCD3]	Secure Signature-Creation Device Type3, 1.05, EAL 4+
[AGD_PRE]	FQR 110 5535 Ed3 - AGD_PRE
[AGD_OPE]	FQR 110 5536 Ed2 - AGD_OPE
[AGD_PRE_TERPSICHORE]	ID-One Cosmo V7.0.1 - Pre-Perso Guide FQR 110 4910 Ed3
[AGD_OPE_TERPSICHORE]	ID-One Cosmo V7.0.1 - Reference Guide FQR 110 4911 Ed3 ID-One Cosmo V7.0.1 - Security recommendations FQR 110 4912 Ed3
[PP9911]	Smart Card Integrated Circuit With Embedded Software Protection Profile, version 2.0, June 1999. Certified under the reference PP/9911, DCSSI
[AIS31]	Anwendungshinweise und Interpretationen zum Schema, AIS31: Funktionalitätsklassen und

	Evaluationsmethodologie für physikalische Zufallszahlengeneratoren, Version 1, 25.09.2001, Bundesamt für Sicherheit in der Informationstechnik
[FIPS180-2]	FIPS PUB 180-2, "Secure Hash Standard", August 2002, National Institute of Standards and Technology
[CC31-1]	Common Criteria for information Technology Security Evaluation, Part 1: Introduction and general model", July 2009, Version 3.1 revision 3
[CC31-2]	Common Criteria for information Technology Security Evaluation, Part 2: Security Functional requirements", July 2009, Version 3.1 revision 3
[CC31-3]	Common Criteria for information Technology Security Evaluation, Part 3: Security Assurance requirements", July 2009, Version 3.1 revision 3
[PKCS#1]	PKCS#1 The public Key Cryptography standards, RSA Data Security Inc. 1993
[PKCS#3]	PKCS#3
[IASECC]	IAS ECC v1.0.1
[FQR 110 5533]	FQR 110 5533 ConfigurationList  Note : The last edition of this document contains the whole set of applicable up to date documents for this CC evaluation project.
[ISO7816-4]	Identification Cards _ Integrated Circuits Card _ Part 4 : Organisation, security and commands for interchange : 2005
[ST_TERPSICHORE]	ST ID-ONE Cosmo V7.0.1-a AT90SC288xxRCU - FQR 110 4889 Ed2  ST ID-ONE Cosmo V7.0.1-a AT90SC256xxRCFT - FQR 110 4932 Ed2

### 1.3. Abbreviations

<b>ADF</b>	Application Dedicated File
<b>AES</b>	Advanced Encryption Standard
<b>AID</b>	Application Identifier
<b>AMB</b>	Access Mode Byte
<b>APDU</b>	Application Protocol Data Unit (command received/Data sent by the chip)
<b>API</b>	Application Programming Interfaces
<b>CA</b>	Certification authority
<b>CBC</b>	Cipher Block Chaining
<b>CGA</b>	Certificate Generation Authority (Authority in charge of generating the qualified certificate(s) )
<b>C/S</b>	Client / Server
<b>CSE</b>	Current Security Environment
<b>DAP</b>	Data Authentication Pattern (enable to ensure integrity & authenticity of javacard package when loaded)
<b>DAPP</b>	Device Authentication with Privacy Protection
<b>DES</b>	Data Encryption Standard
<b>DF</b>	Dedicated File
<b>DH</b>	Diffie Hellman
<b>DTBS</b>	Data to be signed (Sent by the SCA)
<b>DTBS Representation</b>	Representation of the Data to be signed
<b>EAL</b>	Evaluation Assurance Level
<b>EF</b>	Elementary File
<b>EEPROM Memory</b>	Electrically Erasable Programmable Read Only
<b>FID</b>	File identifier
<b>GP</b>	Global Platform

<b>HI</b> the user)	Human Interface (used to enter the RAD and VAD by
<b>IC</b>	Integrated Chip
<b>ICC</b>	Integrated Chip card
<b>IFD</b>	Interface Device
<b>MAC</b>	Message Authentication code
<b>PIN</b>	Personal Identification Number
<b>PKI</b>	Public Key Infrastructure
<b>RAD</b>	Reference Authentication Data (PIN stored)
<b>RCA</b>	Root Certification Authority
<b>ROM</b>	Read Only Memory
<b>RSA</b>	Rivest Shamir Adleman
<b>RSA CRT</b> Theorem	Rivest Shamir Adleman – Chinese Remainder
<b>SCA</b> a qualified signature to the chip)	Signature creation Application (Application requiring
<b>SCB</b>	Security Condition Byte
<b>SCD</b>	Signature Creation Data (Signature key)
<b>SCP</b>	Secure Channel Procotol
<b>SDO</b>	Security Data Object
<b>SE</b>	Security Environment
<b>SHA</b>	Secure hashing Algorithm
<b>SSCD</b>	Secure Signature Creation Device
<b>SSE</b>	Static Security Environment
<b>SSESP</b>	Static Security Environment for Security Policies
<b>SSO</b>	Single Sign On
<b>SVD</b> key)	Signature Verification Data (Signature Verification
<b>TOE</b>	Target of evaluation
<b>URL</b>	Uniform Resource Locator
<b>USB</b>	Universal Serial Bus

<b>VAD</b>	Verification Authentication Data (PIN submitted by the holder)
<b>XML</b>	eXtensible Markup Language

## 2. Target Of Evaluation Description

### 2.1. Target Of Evaluation Overview

#### 2.1.1. TOE type

The Target of Evaluation is an embedded software made of

- a javacard Applet ([Applet]) developed by Oberthur Technologies
- a javacard API ([API]) developed by Oberthur Technologies
- a javacard Interface ([Interface]) developed by Oberthur Technologies

Composed with a javacard open platform and a patch ([patch]), both developed by Oberthur Technologies on which it is running.

The javacard Applet provides to the outside the whole set of security services described herein. To do so, [Applet] relies on

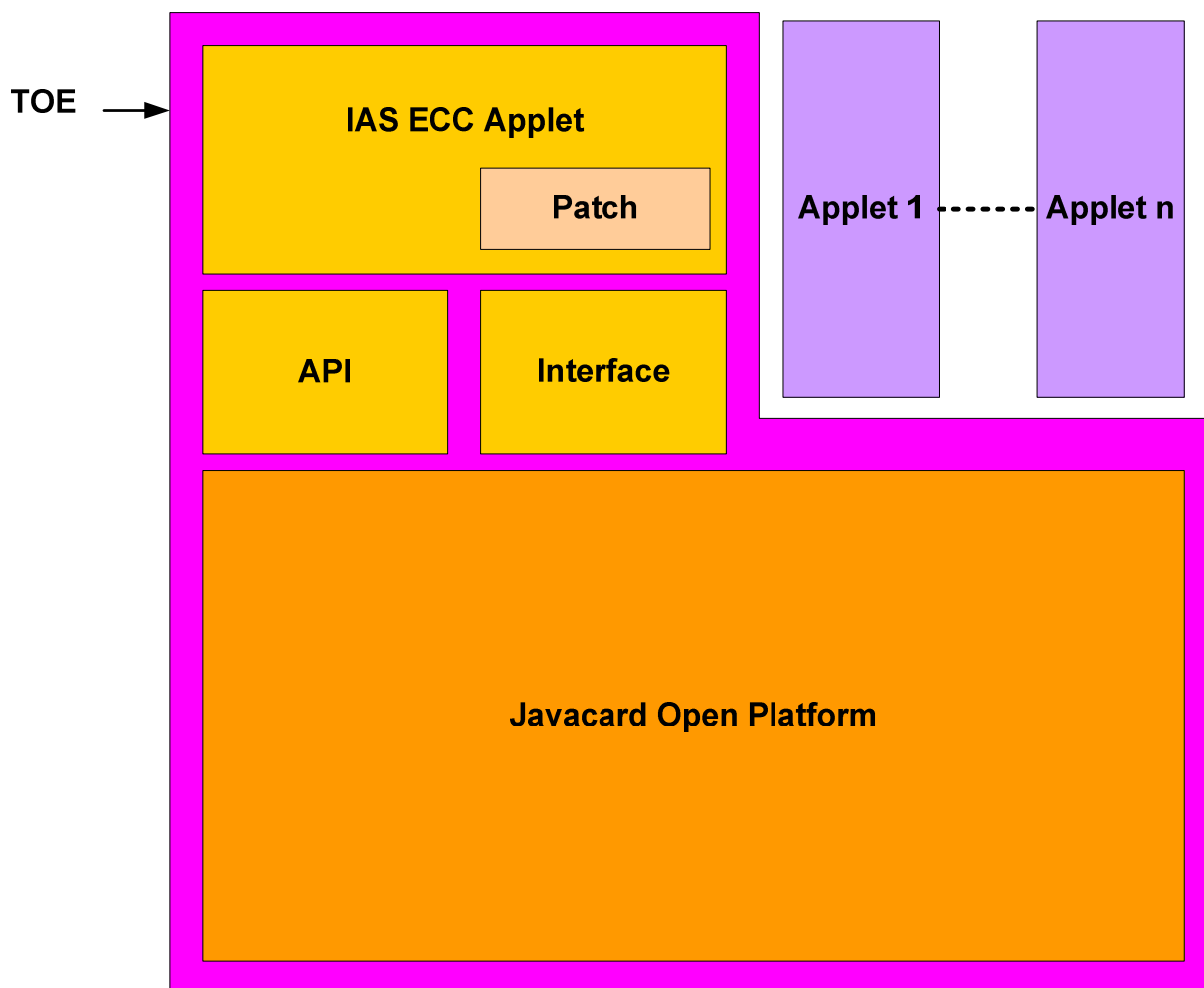
- [API] which provides a wide range of services enabling to manage the files and cryptographic objects
- [Interface] which provides the mechanisms for data sharing with other applet
- Javacard API provided by the underlying javacard open platform

#### 2.1.2. Logical scope

As the underlying javacard open platform is certified as an javacard open platform, any other javacard applet (s) may be present on the javacard open platform provided it fulfils the recommendations indicated in the guidance documentation of the javacard open platform ([AGD\_PRE\_TERPSICHORE] and [AGD\_OPE\_TERPSICHORE]) and of the composite TOE ([AGD\_PRE] and [AGD\_OPE]). As a consequence, it (they) will not endanger the results of the current evaluation. However, this (these) applet(s) are not part of the Target of Evaluation (TOE).

The logical scope of the TOE may be depicted as follows:



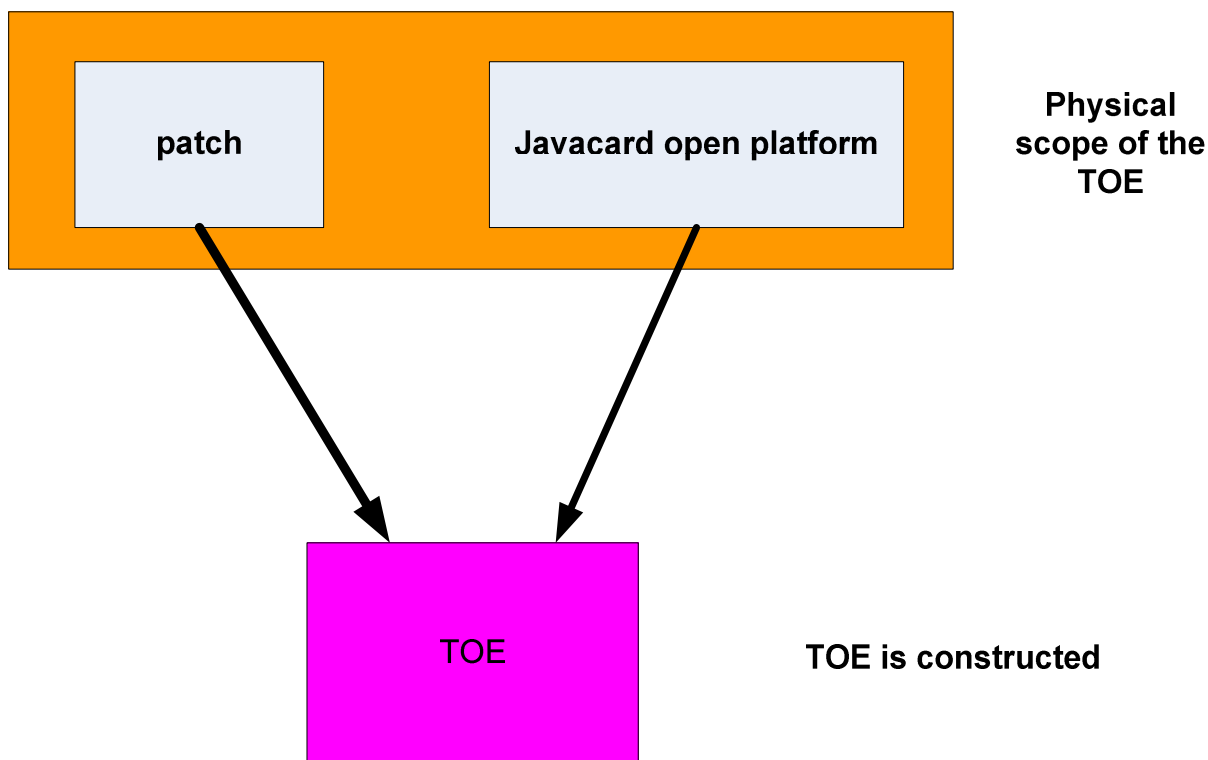


### Limits of the TOE

#### 2.1.3. Physical scope

The TOE is made of two parts

- the javacard open platform [TERPSICHORE], set in Pre-personalization state, which contains in its ROM code the three javacard packages [Applet], [API] and [Interface];
- the patch [patch] loaded in EEPROM;



### Physical scope of the TOE

The javacard open platform [TERPSICHORE] is self protected as it requires the authentication of its user prior to any action.

The patch is self protected (encrypted and signed).

### Physical overview

Once constructed, the TOE is a bare microchip with its external interfaces for communication.

It may be used on several physical medium

- within an inlay, or eCover
- in a plastic card
- within a USB key
- ....

The physical medium on which the microchip is mounted is not part of the target of evaluation

#### 2.1.4. Usage and major security features of the TOE

The TOE intended usage is to be used as a “secure signature creation device” of type 2 or 3, with respect to the European regulation EU/1999/93.

Within the framework described by [SSCD2] and [SSCD3], the TOE enables

- To perform qualified signature
- to authenticate the cardholder based on a RAD verification
- to authenticate one (or several) administrator(s) of the TOE, that may have special rights to administrate the **SCD** and **SVD** (generation, import), using either symmetric and/or asymmetric mechanisms or PIN verification
- to establish a trusted channel, protected in integrity and confidentiality, with remote entities such as a **SCA**, a **CGA** or a **SSCD type 1**. It may be realized by means of symmetric and/or asymmetric mechanisms

The scope of [SSCD2] and [SSCD3] is extended in several ways:

- **A super Administrator** has special rights to administrate the signature creation function, the mode of communication, and the type of cryptographic mechanisms to use.
- **The TOE may hold more than one SCD**. Several SCDs may be used by the holder to sign documents
- **SCD/SVD pairs and other cryptographic objects may be generated and/or imported after issuance at any time according to the access rules required.**
- **RAD may be created at any time according to the access rules required.**
- **The TOE may be used to realize digital signature in contact and/or contactless mode**. To do so, the Personalization Agent shall ensure a correct security policy is applied to each object/data.
- **eServices features are added**, enabling the cardholder to perform C/S authentication, Encryption key decipherment....
- **A complete access control over object is ensured**, whatever their type is : File or cryptographic objects (PIN, keys,...), ensuring it is not possible to bypass the access rules.

The security functions the TOE provides are the following:

- **SF.PIN\_MGT**: Management of the PIN. The TOE enable to create, set, change, reset the PIN both through APDU commands or by Shared interfaces. In any case, the same security policy is applied.
- **SF.SIG** : Management of electronic signature according to the security requirement of [SSCD2] and [SSCD3]

- **SF.DEV\_AUTH**: provision of cryptographic means to perform mutual authentication with remote entities such as the SCA, the CGA, the SSCD type 1 and initiate a trusted channel with them. It may use symmetric and asymmetric scheme.
- **SF.ADM\_AUTH**: provision of cryptographic means to perform authentication of external entities to grant them some administration rights (on the TOE, personalization rights, on the SCD management...). It may use symmetric and asymmetric scheme.
- **SF.SM** : provision of cryptographic mechanisms to ensure a trusted channel with remote entities such as the SCA, the CGA, the SSCD type 1
- **SF.KEY\_MGT**: provision of the keys management. It enables to create, import and generate the SCD and SVD, to export the SVD. It manages as well the authentications and the eServices keys stored in the TOE and enable their import, export and generation.
- **SF.CONF**: provides configuration management of the TOE. It enables to activate/deactivate the use of hash off card for signature computation, the use of symmetric and/or asymmetric authentication schemes, and the ability to communicate in contactless mode.
- **SF.ESERVICE**: provision of eServices. The TOE enables to perform C/S authentication, encryption key decipherment and certificate verification.
- **SF.EAVESDROPPING\_PROTECTION**: Enforcement of the eavesdropping protection in contactless mode. When used in contactless mode, the TOE applies a restrictive security policy ensuring the sensitive data exchanged can not be read or sent by an unauthenticated entity.
- **SF.SAFESTATE\_MGT** : Insurance of a safe state. The TOE always remains in a safe state, ensuring the protection of all the assets it contains.
- **SF.PHYS**: physical protection. The TOE provides protection against tampering and the assets it stores can not be retrieved or altered by physical manipulation

The TOE is compliant with the specification [IASECC] and may be used for various applications requiring qualified signature:

- Electronic signature application
- Electronic health card
- Electronic services cards
- .....

Depending on the use case and or the ability of the underlying javacard open platform, this embedded software may be used

- in contact mode (T=0 and/or T=1 protocol)
- in contactless protocol (T=CL)

- in USB protocol

## 2.2. Target Of Evaluation Reference

The TOE is identified as follows:

<b>TOE name (commercial name):</b>	IAS ECC v1.0.1 on ID-One Cosmo V7.0.1-a Card
<b>Guidance document for preparation</b>	FQR 110 5535 Ed3 - AGD_PRE
<b>Guidance document for use</b>	FQR 110 5536 Ed2 - AGD_OPE
<b>Guidance document for preparation of TERPSICHORE</b>	ID-One Cosmo V7.0.1 - Pre-Perso Guide FQR 110 4910 Ed3
<b>Guidance document for operational user of TERPSICHORE</b>	ID-One Cosmo V7.0.1 - Reference Guide FQR 110 4911 Ed3 ID-One Cosmo V7.0.1 - Security recommendations FQR 110 4912 Ed3

<b>Software identification</b>	'3124'
--------------------------------	--------

The TOE is made of a javacard applet [Applet], a javacard interface [Interface], a javacard API [API] composed with a patch [patch], and a javacard open platform [JOP] already evaluated.

<b>Name of [Applet]:</b>	IAS ECC Java Applet light
<b>Internal identification</b>	P08-018 - ID One IAS ECC\07169x - IAS ECC Java Applet light
<b>Configuration management (PVCS) label</b>	"V1.2"

<b>Name of [API]:</b>	IAS ECC Javacard API
<b>Internal identification</b>	P08-018 - ID One IAS ECC\07166x - IAS ECC Javacard API
<b>Configuration management (PVCS) label</b>	"V1.1"

<b>Name of [Interface]</b>	Server Applet Manager javacard Interface
<b>Internal identification</b>	P08-018 - ID One IAS ECC\07076x - Server Applet Manager javacard Interface
<b>Configuration management (PVCS) label</b>	“V1.2”

<b>Name of [Patch]</b>	Optional Code r3.0 Java for IAS on V7.0.1-a
<b>Internal identification</b>	P09-022 - ID-One Cosmo V7.0.1-a\07524x - Codop Java for IAS on V7.0.1-a
<b>Software identification</b>	“075243”

<b>Names of [JOP]:</b>	ID-One Cosmo V7.0.1-a Basic and Standard
<b>Certificate</b>	ANSSI-CC-2011/01

## 2.3. Description of the embedded software

### 2.3.1. Description of data structure

The IAS ECC application manages two types of structures:

- The File, compliant with [ISO7816-4]
- The Security Data Objects, which are secure container storing cryptographic data (PINs, Keys,...)

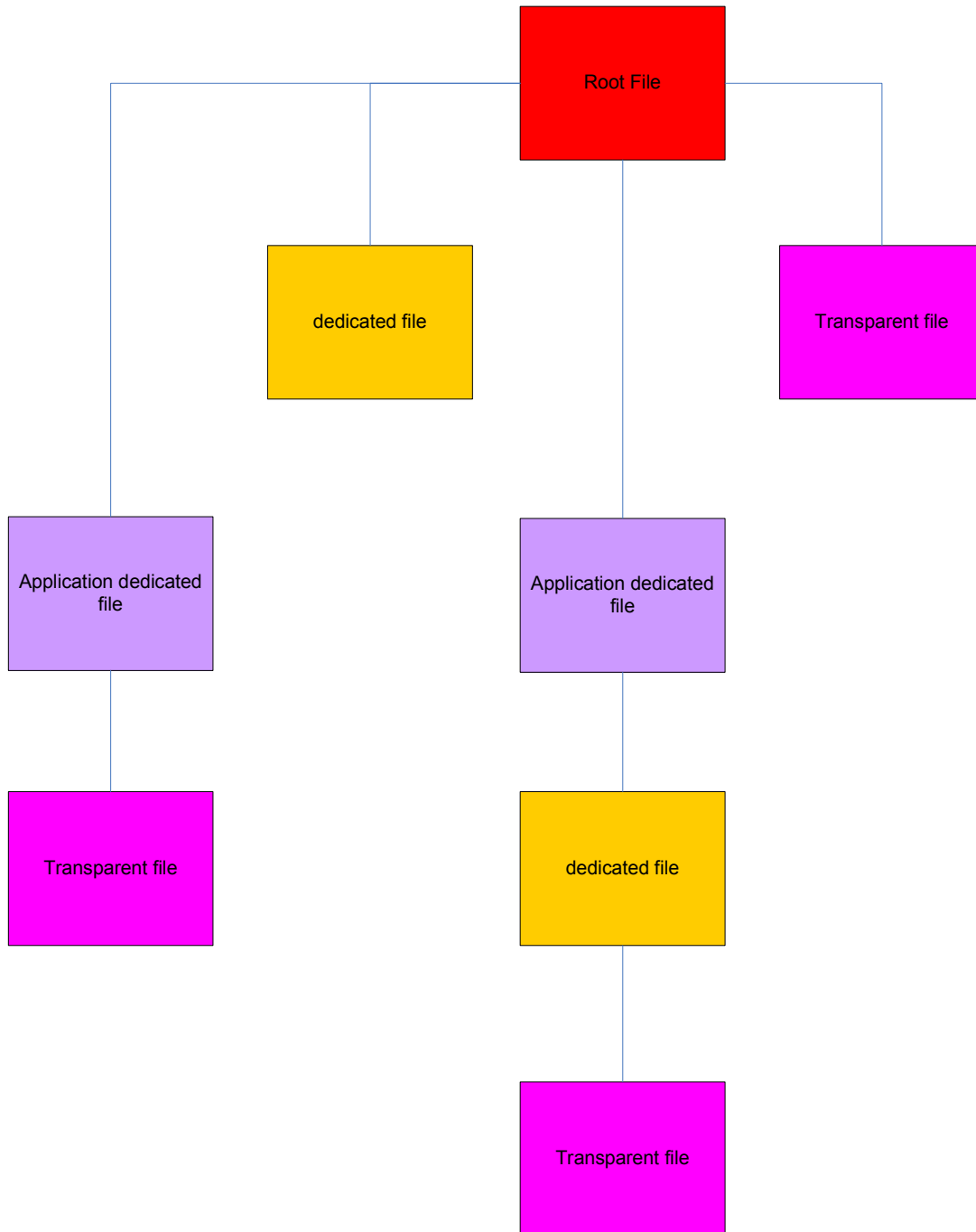
### File and File System

The IAS ECC Application handles the following type of file (described in [ISO7816-4]):

- **Transparent File** - EF
- **Application Dedicated File** - ADF
- **Dedicated File** - DF

All these files are organized within a so called **File System**. It represents the hierarchy between all the files. This Structure is compliant with [ISO7816-4].

At the top of the structure stands the Root, it is the default selected file at reset. Under the Root, are located the Application Dedicated File.



**Example of FileSystem Structure**

The ADF and the Root may be selected by Application Identifier (**AID**) or by File identifier (**FID**).

The Root, as well as each ADF and DF, may contain up to 255 files (EF or DF).

The Application enables to

- create, delete, activate, deactivate terminate all type of file (except the Application dedicated file) to update the File System
- read, update, resize any transparent file (EF)
- Move within the File Structure by use of file selection.

Each file is characterised by its own attributes, such as:

- Access conditions
- File identifier
- Location within the File System
- Size (for transparent file)

All the action to be performed on file is fully described in [IAS ECC].

## Security Environment

The IAS ECC Application handles Security Environments. Three types of Security Environment may be identified:

- **Static Security Environment - SSE**
- **Static Security Environment for Security Policies – SESP**
- **Current Security Environment - CSE**

Basically a security environment contains several couple of cryptographic data. Each cryptographic data contains:

- One or several key identifier : KEY\_ID
- an algorithm identifier : ALGO\_ID
- a mode of use : USE

These cryptographic data may be used

- to set up a ready to use cryptographic context to perform a cryptographic operation (for signature, for C/S authentication,...). It is the case of **SSE**
- to define an access condition to fulfil: the key defined by the identifier KEY\_ID shall be used with the algorithm ALGO\_ID and with the mode USE to grant an access right... It is the case of the **SESP**



- to define the current cryptographic context to apply to realize a given service. It is the case of the CSE. In particular, the CSE may be initialized from a SSE

The SESP and SSE are attributes of the ADF and are stored in security Data Objects located within an Application dedicated file (ADF)

The CSE is unique for the TOE at any moment

## Security data Objects

The IAS ECC Application handles as well cryptographic data objects, called Security Data Objects (SDO), dedicated to store the keys, the PIN, the Diffie Hellmann parameters and the Security Environments, as well as their attributes. The following types of SDO exist

- **SDO PIN** contains a Personal identification Number
- **SDO RSA Public Key** contains a RSA Public Key
- **SDO RSA Private Key** contains a RSA Private Key
- **SDO Security Environment** contains a Security Environment
- **SDO Symmetric Key Set** contains a Symmetric Key Set
- **SDO Diffie Hellmann parameters** contains a set of Diffie Helmann Domain parameters

They may be located in any dedicated file (DF) or Application Dedicated file (ADF).

The Application enables to create, update and use any of these SDO. The way the SDO may be used depends on its type:

- **SDO PIN** may be changed, reset, verified
- **SDO RSA Public Key** may be used to verify a certificate
- **SDO RSA Private Key** may be used to sign, perform a C/S authentication or decrypt a cryptogram
- **SDO Security Environment** may be changed, reset, verified
- **SDO Symmetric Key Set** may be used to verify an external authentication or to perform a mutual authentication and establish a trusted channel.
- **SDO Diffie Hellmann parameters** may be used to establish a secure channel (without authentication)

Each SDO is characterised by its own attributes, such as:

- Access conditions
- Location within the File System
- Size
- Type
- Content (Key, PIN or Diffie Hellman Parameters)
- Usage counter and tries counter
- Algorithm to be used

All the action to be performed on file is fully described in [IASECC].

### 2.3.2. Access Control Management

One of the Core features of IAS ECC is to provide access condition management on any access mode of any objects it handles:

- Files
- Security Data Objects

Access condition may be assigned to access mode on any of these objects.

The **Access conditions** encoding is the compact encoding described in [ISO7816-4], enhanced as described in [IASECC]. It relies on access rules encoded by means on **Access Mode Bytes** (AMB) and **Security Conditions Bytes** (SCB) described in [ISO7816-4] and [IASECC].

Prior to any operation, the application checks the requested access rights are fulfilled.

Basically, the Access condition is granted if the security conditions are fulfilled.

Any access condition to fulfil is a combination of security conditions based on identified keys/PIN/secrets:

- User Authentication (by PIN). May be used to authenticate the cardholder or a remote administrator.
- Authentication of a remote administrator
- Mutual authentication with a remote IT
- Communication protected in integrity and confidentiality

### 2.3.3. Authentication of entities

The IAS ECC application enables to authenticate several entities to grant them some rights:

- User Authentication (by PIN). May be used to authenticate the cardholder or a remote administrator.
- Authentication of a remote administrator (based on symmetric or asymmetric scheme)
- Mutual authentication with a remote IT and establishment of a trusted channel protected in integrity and confidentiality (based on symmetric or asymmetric scheme)
- Personalization Agent authentication (for the phase 6)
- TOE Administrator authentication (in phase 7)

These features of authentication are key factor as they are needed to grant access to resources (Files or SDO) the IAS ECC application holds.

#### 2.3.4. eServices

The IAS ECC application offers as well eServices features:

- **C/S authentication:** this feature enables to authenticate the TOE on behalf of the cardholder's PC to a remote web server.
- **Digital signature:** this feature enables the cardholder to electronically signs documents. The signature may be either advanced or qualified (compliant with [SSCD2] and [SSCD3]).
- **Encryption key decipherment:** this feature enables the cardholder to store secret data on an electronic vault. The key needed to decipher the key encrypting these data is securely stored in the TOE. The cardholder's PC sends the encrypted encryption key to the TOE to get the plain encryption key.
- **Certificate verification:** this feature enables the TOE to verify a certificate issued by a certification authority the TOE trusts. The trust is established by the transfer to the TOE of a public RSA key of an authority certified by an authority whose public key is present in the TOE (either permanently stored, either imported through a certificate). This feature is used when the authentication key of a remote entity is certified by a Root certification Authority (RCA)

#### 2.3.5. Administration of the TOE

The IAS ECC application offers administration services. Upon successful authentication, the TOE Administrator may modify the following attributes

- **Communication medium:** the administrator may restrict the ability to communicate with the TOE in contact and/or contactless mode. If the TOE is to be used in contactless mode, the TOE issuer shall ensure the security policy applied to files and SDO is relevant. In particular, there should not be any free readable data that could be used to track the holder, and any sensitive data shall be transmitted through a trusted channel ensuring protection against eavesdropping.
- **Hashing method to be used for digital signature:** the administrator may restrict the ability to perform electronic signature (advanced or qualified) on DTBS-representation partly computed by the TOE. In such case, the digital signature will only be done with last round of data hashing done on the TOE.
- **Authentication mechanism to be used:** the administrator may restrict the cryptographic means to be used by the TOE to authenticate remote entities (Administrator or Remote IT): either symmetric and/or asymmetric cryptography.
- **Identification of the TOE :** the administrator is entitled to identify the TOE

### 2.3.6. Single Sign on feature (SSO)

The IAS ECC application may behave as a Single Sign on (SSO). It provides access points to any other applet willing to use a PIN stored in the Root. In particular it is possible to:

- Check a PIN
- Change a PIN
- Reset a PIN
- Retrieve the remaining tries counter
- Retrieve the validation status

This feature is very convenient when the PIN(s) will be shared with a legacy application

Even though the IAS ECC application offers these entry points, it does still perform access control in the same way it does when it receives incoming APDU to manage a PIN. The access conditions on the PINs that are accessed by these entry points are still enforced.

### 2.3.7. Scope of evaluation

The scope of evaluation encompasses all the features of the TOE. The File System management is out of the scope of the evaluation, even though the access control management (common to SDO and File) is covered.

## 2.4. Intended Usage

The TOE intended usage is to be used as a “secure signature creation device” of type 2 or 3, with respect to the European regulation EU/1999/93.

Within the framework described by [SSCD2] and [SSCD3], the TOE enables

- To perform electronic qualified signature
- to authenticate the cardholder based on a RAD verification
- to authenticate one (or several) administrator(s) of the TOE, that may have special rights to administrate the SCD and SVD (generation, import), using either symmetric and/or asymmetric mechanisms or PIN verification
- to establish a trusted channel, protected in integrity and confidentiality, with remote entities such as a SCA, a CGA or a SSCD type 1. It may be realized by means of symmetric and/or asymmetric mechanisms

The scope of [SSCD2] and [SSCD3] is extended in several ways:

- **A super Administrator** has special rights to administrate the signature creation function, the mode of communication, and the type of cryptographic mechanisms to use.
- **The TOE may hold more than one SCD.** Several SCDs may be used by the holder to sign documents
- **SCD/SVD pairs and other cryptographic objects may be generated and/or imported after issuance at any time according to the access rules required.**
- **RAD may be created at any time according to the access rules required.**
- **The TOE may be used to realize digital signature in contact and/or contactless mode.** To do so, the Personalization Agent shall ensure a correct security policy is applied to each object/data.
- **eServices features are added,** enabling the cardholder to perform C/S authentication, Encryption key decipherment....

- **A complete access control over object is ensured**, whatever their type is: File or cryptographic objects (PIN, keys,...), ensuring it is not possible to bypass the access rules.

The TOE is compliant with the specification [IASECC] and may be used for various applications requiring qualified signature:

- Electronic signature application
- Electronic health card
- Electronic services cards
- .....

## 2.5. Life Cycle

With respect to the Life cycle envisioned in [PP9911], seven different phases may be sorted out.

The life cycle of the composite TOE may be depicted as follows:

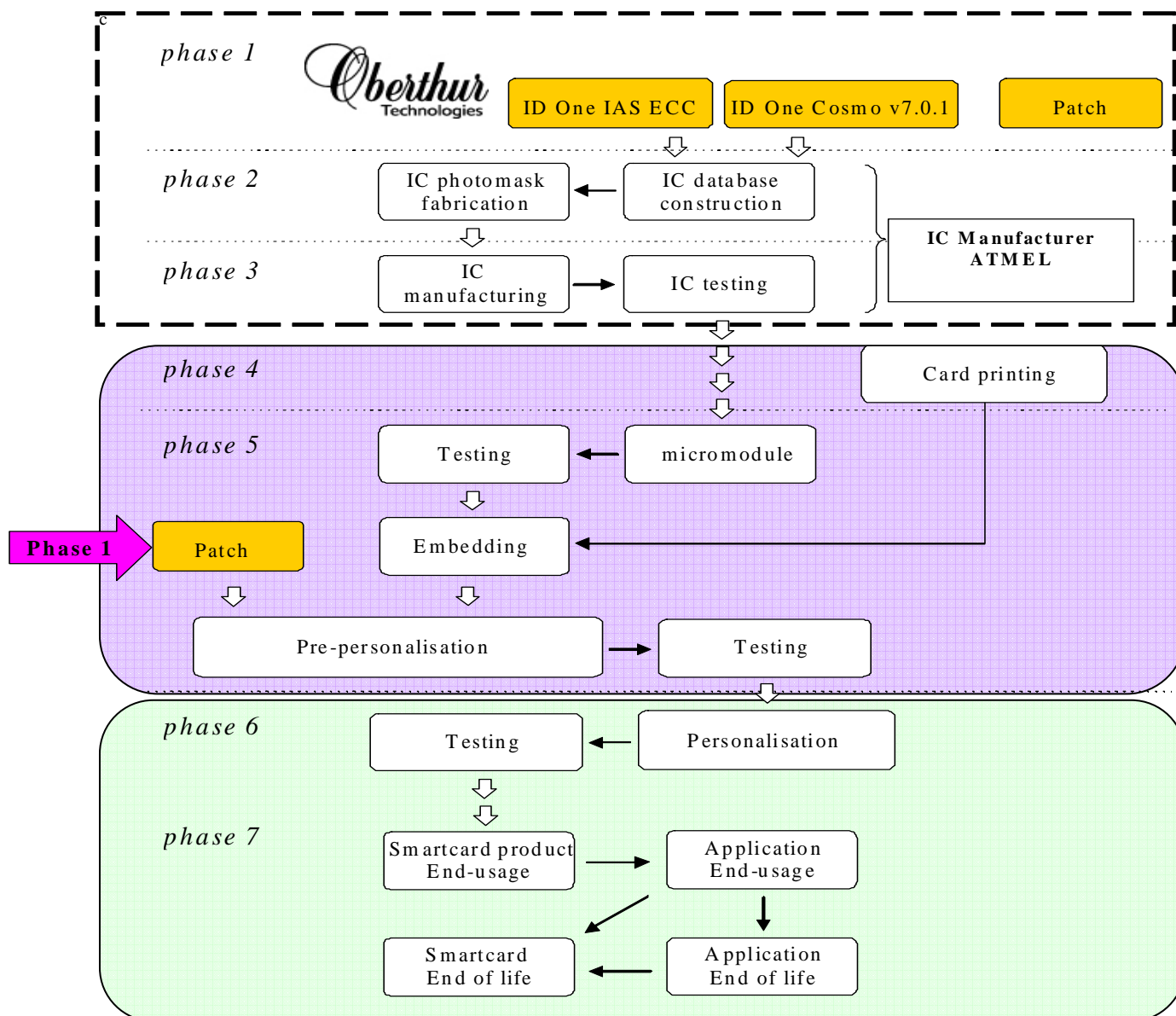


Figure 1 : life cycle state of the composite TOE

### 2.5.1. Description of the TOE Environment

The TOE environment may be spitted into two different parts:

- The **Development environment**, in which the parts of TOE are designed, tested and manufactured.
- The **Production environment**, in which the TOE is under construction. The security requirements of the javacard open platform (JOP) are fulfilled and assurance levels are met.
- The **Operational environment**, in which the TOE is self protected and can be used as stated (personalized and used). Once personalized according to [AGD\_PRE], the TOE is constructed: the security requirements of the TOE are fulfilled and the assurance levels are met.

### 2.5.2. Development environment

The development environment encompasses the environment in which the TOE is developed, i.e.

- the javacard open platform components;
- the javacard packages (applet and interface);
- the patch;

## Software development (phase 1)

This development environment of the Javacard Applet, the patch and javacard open platform (JOP) is enforced by **OBERTHUR TECHNOLOGIES**.

The confidentiality and integrity of the cap files, the patch and of the javacard open platform is covered by the evaluation of the development premises of **OBERTHUR TECHNOLOGIES**.

To ensure security, access to development tools and products elements (PC, card reader, documentation, source code...) is protected. The protection is based on measures for prevention and detection of unauthorized access. Two levels of protection are applied:

- Access control to **OBERTHUR TECHNOLOGIES** offices and sensitive areas.
- Access to development data through the use of a secure computer system to design, implement and test software

The software development phase of the javacard open platform is covered by its certificates

At the end of this phase:

- the javacard packages together with the javacard open platform are transferred to the chip manufacturer in order to be masked on silicium. The integrity and confidentiality of the data transfer between the premises of **OBERTHUR TECHNOLOGIES** and the chip manufacturer is covered by the certificate of [TERPSICHORE].



- The patch is transferred to the administrator of phase 3 in order to be loaded on [TERPSICHORE]. The patch is self protected in integrity and confidentiality. Its integrity is verified by [TERPSICHORE] when loaded.

**At the end of this phase 1, the javacard packages and the patch are protected in integrity and confidentiality.**

## Hardware development (Phase 2)

In this phase, the javacard open platform (JOP) is being built.

The javacard packages are stored in the ROM code of the javacard open platform (JOP).

This phase takes place at the manufacturing site of the silicium provider.

The confidentiality and integrity of the javacard packages and javacard open platform is covered by the evaluation of the development premises of the silicium manufacturer (see [TERPSICHORE])

### 2.5.3. Production environment

The production environment encompasses the environments in which the parts of TOE are gathered (javacard open platform and cap files). It corresponds to the production of the javacard open platform (JOP)

It corresponds to the following steps:

- Software is engraved in the silicium to get the javacard open platform (JOP).
- The chip is mounted on a physical layout (card, USB token...)
- The javacard open platform is prepersonalized
- The javacard open platform is personalized
- The application is instantiated

## Javacard open platform manufacturing (phase 3)

In this phase, the javacard open platform (JOP) is self protected. The javacard packages are self protected as they are present in the ROM code of the javacard open platform (JOP)

This phase takes place at the manufacturing site of the silicium provider.

Depending on the choice made for the optional code loading, it may be loaded during this phase

**At the end of phase 3, the javacard open platform (JOP) is self protected: all its security functions are activated. The point of delivery of the TOE is the end of phase 3.**

**At the end of phase 3, the javacard packages are self protected: their integrity and confidentiality is ensured as they are present in the ROM code of the javacard open platform**

## **Javacard open platform (JOP) packaging and initialization (phase 4)**

The Javacard open platform (JOP) is under the control of the **Manufacturing Agent**.

This subject is in charge of the Javacard open platform (JOP) packaging.

This phase span the phase 4 of the Javacard open platform (JOP) life cycle

## **Javacard open platform (JOP) pre-personnalization (phase 5)**

The Javacard open platform (JOP) is under the control of the **Manufacturing Agent**. This subject shall be authenticated prior to any action on the javacard open platform.

This phase is done in the manufacturing site of Vitré (France – 35). The procedures and the IT infrastructure ensure the integrity and authenticity of the keys.

**In any case, at the end of this phase, the composite TOE is produced and self protected.**

This phase spans the following phases of the javacard open platform (JOP):

- Phase 5
- Phase 6
- Phase 7

The following process will be applied:

- The patch [**patch**] is loaded in the javacard open platform (JOP) in phase 5;
- the javacard open platform (JOP) is switched in phase 5 and the applet may be instantiated in this phase;
- the javacard open platform (JOP) is switched in phase 6 and the applet may be instantiated in this phase;
- the javacard open platform (JOP) is switched in phase 7 and the applet may be instantiated in this phase;

Before the patch is loaded in the javacard open platform, the TOE is made of two elements (the patch and the javacard open platform). Once it is loaded, the TOE is the single javacard open platform containing the patch.

During all these phases, the javacard open platform (JOP) is self-protected as it requires the authentication of the **Manufacturing Agent** prior to any operation.

At the end of this phase, the javacard open platform is switched in phase 7 (DAP enforced)

During this phase, any other applet may be loaded at any time (phase 5, 6 or 7 of the javacard open platform)

## Operational environment

The operational environment encompasses the environments in which the TOE is constructed. It corresponds to the following steps:

- Personalization of the IAS ECC Application
- Use of the IAS ECC Application

### TOE personalization (phase 6)

The TOE is under the control of the **Personalization Agent** in charge of personalizing the Applet. This subject shall be authenticated prior to any action on the Javacard open platform.

This phase may not necessarily take place in a manufacturing site, but may be performed anywhere. The **Personalization Agent** is responsible for ensuring a sufficient level of security during this phase.

During this phase, the applet is personalized according to [AGD\_PRE]: creation of applicative data (SCD, SVD, RAD, File,...) and the TOE\_Administrator Agent key is loaded.

**At the end of phase 6, the TOE is constructed**

### TOE Usage (phase 7)

The TOE is under the control of the User (**Signatory and/or Administrator**) and TOE\_Administrator.

During this phase, the TOE may be used to create a secure signature and manage the SCD, the SVD and the RAD.

During this phase, the TOE may be used both in contact and/or contactless mode.

#### 2.5.4. Coverage of the different Life cycle state by the assurance components AGD & ALC

The following steps of the life cycle are covered as follows:

Life cycle phase	Environment	Covered by
Phase 1	Development	ALC [TERPSICHORE] ALC [EUTERPE]
Patch is self protected		
Phase 2	Development	ALC [TERPSICHORE]
Phase 3	Development	ALC [TERPSICHORE]
Javacard open platform is self protected Javacard packages are self protected		
Point of delivery of the TOE		
Phase 4	Production of TOE	AGD_PRE [TERPSICHORE]
Phase 5	Production of TOE	ALC [EUTERPE],

		AGD_PRE [TERPSICHORE], AGD_OPE [TERPSICHORE],
Patch is loaded on the Javacard open platform TOE is self protected		
Phase 6	Operational	AGD_OPE [TERPSICHORE] AGD_PRE [EUTERPE]
TOE is constructed		
Phase 7	Operational	AGD_OPE [TERPSICHORE] AGD_OPE [EUTERPE]

The point of delivery of the TOE is phase 3. The security of the patch loading (done after phase 3) is fully enforced by technical security measures that have been evaluated by the ITSEF. Therefore, phase 4 to 6 are fully covered by [AGD\_PRE] and [AGD\_OPE], except the personalization key management in the environment that is covered by [ALC].

### 2.5.5. State of the TOE depending on the phase

This chapter describes when the TOE is self protected

Life cycle phase	State of the javacard packages at the end of the phase	State of the patch at the end of the phase	State of the JOP at the end of the phase	State of the TOE at the end of the phase
Phase 1	constructed but not self protected	constructed and self protected	In construction	In construction
Phase 2	constructed but not self protected	constructed and self protected	In construction	In construction
Phase 3	constructed and self protected	constructed and self protected	constructed and self protected	In construction and self protected
Phase 4	N/A	constructed and self protected	Self protected	In construction and self protected
Phase 5	Application is instantiated Self protected	constructed and self protected	Self protected	In construction and self protected
Phase 6	Self protected	loaded	Self protected	Constructed and self protected
Phase 7	Self protected	loaded	Self protected	Constructed and self protected

### 2.5.6. Mapping with the life cycle and Subjects described in [SSCD2] and [SSCD3]

The life cycle of the TOE is based on the one described in [PP9911]. This chapter focuses on mapping it to the one described in [SSCD2] and [SSCD3].

Life cycle phase of the TOE	Life cycle phase with respect to [SSCD2] and [SSCD3]
Phase 1	Design
<b>Patch is self protected</b>	
Phase 2	Fabrication
Phase 3	Fabrication
<b>Javacard open platform is self protected Javacard packages are self protected</b>	
Phase 4	N/A
Phase 5	Loading of application data
<b>Patch is loaded on the Javacard open platform TOE is self protected</b>	
Phase 6	Personalization
<b>TOE is constructed</b>	
Phase 7	Usage Destruction

For each of these phases, the following subjects may interact with the TOE

Life cycle phase of the TOE	Subject interacting with the TOE
Phase 1	OBERTHUR TECHNOLOGIES
<b>Patch is self protected</b>	
Phase 2	OBERTHUR TECHNOLOGIES
Phase 3	OBERTHUR TECHNOLOGIES
<b>Javacard open platform is self protected Javacard packages are self protected</b>	
Phase 4	Manufacturing Agent Offcard
Phase 5	Manufacturing Agent Offcard
<b>Patch is loaded on the Javacard open platform TOE is self protected</b>	
Phase 6	Personalization Agent Offcard
<b>TOE is constructed</b>	
Phase 7	User (Signatory or Administrator) TOE_Administrator

Presentation of the different subjects interacting with the TOE;

In phase 1 up to 3, the TOE is under the control of **OBERTHUR TECHNOLOGIES**. It is in charge of designing and manufacturing the TOE.

In phase 4, the TOE is under the control of the **Manufacturing Agent**. It is in charge of loading data within the TOE to make it operational. During this phase, the Manufacturing agent ensures a sufficient level of security. In phase 4, and until the completion of phase 5, the TOE is made of two elements, the javacard open platform and the patch, that are logically distinct.

In phase 5, the TOE is under the control of the **Manufacturing Agent**. It is in charge of loading the patch within the javacard platform. Once the phase 5 is successfully completed, the TOE is the single javacard open platform which contains the patch.

In phase 6, the TOE is under the control of the **Personalization Agent**. It is in charge of loading data within the TOE to make it operational. During these phase, the Personalization agent ensures a sufficient level of security.

In particular, in phase 6, the **Personalization Agent** may:

- Create and load the **RAD**
- Create and load the **SCD/SVD**
- Create and generate the **SCD/SVD**
- Export the **SVD**
- Create the security policies to be applied to files and objects

The **Personalization Agent** behaves as the **Administrator** and **Signatory** for the key management features for this phase

In phase 7, the TOE is under the control of the **Signatory** and **Administrator**.

In particular, the **Administrator** may:

- Create the **RAD**
- Create the **SCD/SVD**
- Create the **SCD/SVD**

The **Signatory** or the **Administrator** may:

- Load the **RAD**
- Load the **SCD/SVD**
- Generate the **SCD/SVD**

- Export the **SVD**

and **Signatory** may

- sign **DTBS/DTBS-representation**
- change its **RAD**

During phase 7, another entity may manage the TOE: **TOE\_Administrator**. It is in charge of managing some features of the TOE such as:

- Allowing signing DTBS representation computed off card
- Allowing the authentication of remote IT or administrator by means of symmetric and/or asymmetric scheme
- Allowing to restrict the contact and/or contactless interface for communication

### 3. Target Of Evaluation Security Environment

#### 3.1. Remote IT entity

The following remote IT entity may interact with the TOE

Remote IT	Description
SCA	This remote IT is in charge of sending the <b>DTBS/DTBS</b> representation to the <b>TOE</b> This remote IT is present in phase 7 of the life cycle of the TOE
CGA	This remote IT is in charge of issuing a (qualified) certificate as well as a link enabling to find the (qualified) certificate matching the <b>SCD</b> . This remote IT is present in phase 6 and 7 of the life cycle of the TOE
SSCD type 1	This remote IT is in charge of importing a <b>SCD/SVD</b> pair on the TOE as well as a link enabling to find the (qualified) certificate matching the <b>SCD</b> . This remote IT is present in phase 6 and 7 of the life cycle of the TOE
IFD	In case the contactless is used to establish communication with the TOE, the communication shall be established with an <b>IFD</b> , ensuring the communications are protected by a secure channel. The IFD is in charge as well the remote entity

	<p>interacting with the TOE in case eServices are used</p> <p>This entity shall be recognized by the TOE issuer.</p> <p>The <b>IFD</b> is considered as being part of the remote IT (<b>CGA</b>, <b>SSCD type 1</b> and <b>SCA</b>) with which the TOE wants to communicate in a secure manner.</p> <p>This remote IT is present in phase 7 of the life cycle of the TOE</p>
<b>HI</b>	<p>Human interface used by local users to enter <b>RAD</b> or <b>VAD</b>.</p> <p>The data entered are transmitted to the TOE via a trusted path</p>

It is very important to stress to these Remote IT are just an abstract point of view. Depending on the use case, the following situation may arise

- Several Remote IT are realized by a single entity (e.g. SCA, CGA and SSCD type 1)
- A remote IT is as well a subject (e.g. the SCA is the Administrator, the CGA is the TOE\_Administrator...)

Moreover, in phase 6, the SSCD type 1 remote IT is tightly linked to the subject operating during this phase (i.e. **S.Personnalizer**). The SSCD securely transmits the SCD to the TOE by mean of an encryption key. The encryption key is deduced from diversifying data agreed during the authentication of the "**Personalizer**" with the TOE. Therefore, in phase 6, the import of SCD from a SSCD type 1 requires **S.Personnalizer** to be authenticated in a first step.

The Human interface (**HI**) used to enter the PIN is considered as being part of the **SCA**, **CGA** or **SSCD**, depending on the case. It benefits from the trusted channel between the TOE and the **SCA**, or the **SSCD type 1** or the **CGA** to transmit the **RAD** or **VAD** to the TOE.

### 3.2. Subjects

The following Subject interact with the TOE

Subject	Description
<b>S.User</b>	<p>End User of the TOE that can be identified as <b>S.Admin</b> or <b>S.Signatory</b></p> <p>It is named <b>User</b></p>



<p style="text-align: center;"><b>S.Admin</b></p>	<p>User(s) who is in charge to perform the TOE initialization, TOE personalization or other TOE administrative functions  This User may operate during phase 7.  Depending on the use case envisioned, the subject(s) <b>S.SCA</b>, <b>S.CGA</b>, <b>S.SSCD</b> or <b>S.IFD</b> may be the subject <b>S.Admin</b>.  It is named <b>Administrator</b></p>
<p style="text-align: center;"><b>S.Signatory</b></p>	<p>User who holds the TOE and uses it on his own behalf or on behalf of the natural or legal person or entity he represents  It is named <b>Signatory</b></p>
<p style="text-align: center;"><b>S.TOE_Admin</b></p>	<p>User who is in charge to perform the configuration management of the TOE  It is named <b>TOE_Administrator</b></p>
<p style="text-align: center;"><b>S.Personalizer</b></p>	<p>User who operates in Phase 6 of the life cycle. It is in charge to perform the TOE initialization and TOE personalization  It is named <b>Personalizer</b></p>
<p style="text-align: center;"><b>S.DAP_Admin</b></p>	<p>User who operates as soon as the DAP feature is activated on the javacard open platform: in phase 6 (optionally) &amp; 7 of the life cycle. It holds the DAP signature key and is in charge of controlling the applet to be loaded on the javacard open platform.  It is named <b>DAP_Admin</b></p>
<p style="text-align: center;"><b>S.Manufacturer</b></p>	<p>User who operates in Phase 5. It is in charge of physically building the javacard open platform, e.g.  mounting the chip on the antenna  physically building the card  performing the graphical personalization and performing some basic prepersonalisation operation it is only entitled to perform  The action of this subject is covered by [TERPSICHORE]  It is named <b>Manufacturer</b></p>
<p style="text-align: center;"><b>S.SCA</b></p>	<p>It is the <b>SCA</b> seen as a subject interacting with the TOE.  As such, depending on the use case, it might belong to the category <b>S.Admin</b>.  It is named <b>SCA</b></p>
<p style="text-align: center;"><b>S.CGA</b></p>	<p>It is the <b>CGA</b> seen as a subject interacting with the TOE.</p>

	As such, depending on the use case, it might belong to the category S.Admin. It is named <b>CGA</b>
--	--

### 3.3. User data

The following user data are managed by the TOE

<b>D.AUTH_CRYPTOGAM</b>	<p>Authentication data used to authenticate subjects such as</p> <ul style="list-style-type: none"> <li>• <b>S.Admin</b></li> <li>• <b>S.TOE_Admin.</b></li> <li>• <b>S.Personalizer</b></li> <li>• <b>S.SCA</b></li> <li>• <b>S.CGA</b></li> <li>• <b>S.SSCD</b></li> <li>• <b>S.IFD</b></li> </ul> <p>It is a cryptogram sent by the outside the TOE checks with <b>D.AUTH_KEYS</b></p>
<b>D.SIGNATURE</b>	Electronic signature (Unforgeability of electronic signatures must be assured)
<b>D.DTBS</b>	<b>DTBS</b> and <b>DTBS representation</b> stored within the TOE; set of data or its representation which is intended to be signed
<b>D.RAD</b>	<b>RAD</b> : Reference PIN code authentication data used to authenticate the End User (S.Signatory or S.Admin) There might be several RAD within the TOE
<b>D.SCD</b>	<b>SCD</b> : private key used to perform an electronic signature operation There might be several SCD within the TOE
<b>D.SVD</b>	<b>SVD</b> :public key linked to the SCD and used to perform an electronic signature verification There might be several SVD within the TOE
<b>D.TOE_SerialNumber</b>	Serial number of the TOE. This data is required to perform device and external authentication. It is an <b>IDENTIFICATION_DATA</b>
<b>D.AUTH_KEYS</b>	<p>Group of keys stored on the TOE used to perform a mutual authentication with subjects such as :</p> <ul style="list-style-type: none"> <li>• <b>S.Admin</b></li> <li>• <b>S.TOE_Admin.</b></li> <li>• <b>S.Personalizer</b></li> <li>• <b>S.SCA</b></li> <li>• <b>S.CGA</b></li> <li>• <b>S.SSCD</b></li> </ul>

	<ul style="list-style-type: none"> <li>• <b>S.IFD</b></li> </ul> <p>Or used to authenticate external entities such as</p> <ul style="list-style-type: none"> <li>• SSCD type 1 used to import a SCD</li> <li>• SCA for signature creation</li> <li>• CGA for certificate generation.</li> <li>• IFD in case of contactless communication</li> </ul> <p><b>These keys are secret data shared by the TOE and the other entity (symmetric keys)</b></p>
<b>D.ESERVICES_KEYS</b>	<p>Group of keys/Parameters stored on the TOE used to perform eServices such as</p> <ul style="list-style-type: none"> <li>• Certificate verification – first key stored in the TOE</li> <li>• Key Agreement Domain parameters</li> <li>• Key Decryption keys</li> </ul> <p>Some are public :</p> <ul style="list-style-type: none"> <li>• Certificate verification – first key stored in the TOE</li> <li>• Key Agreement Domain parameters</li> <li>• Public portion of key decryption key</li> </ul> <p>Some shall remain secret</p> <ul style="list-style-type: none"> <li>• Private key of key decryption key</li> </ul>
<b>D.TOE_AUTH_PUBLIC_KEYS</b>	Group of public key matching the private authentication key of the TOE
<b>D.TOE_AUTH_PRIVATE_KEYS</b>	<p>Group of authentication private key(s) of the TOE. The authentication mechanism involved are</p> <ul style="list-style-type: none"> <li>• C/S authentication</li> <li>• DAPP Internal authentication</li> </ul>
<b>D.IDENTIFICATION_DATA</b>	Data or group of data stored in the TOE, which may be used to uniquely identify the TOE and therefore the TOE holder.

### 3.4. TSF data

The following TSF data are managed by the TOE

TSF Data	Description
<b>D.APPLI</b>	The quality of the signature creation application (IAS ECC) must be maintained so that it can participate to the legal validity of electronic signature
<b>D.SCD_ID</b>	Identifier of the <b>SCD</b> . In order to identify the

	<p>matching certificate, each <b>SCD</b> shall be associated with an identifier</p>
<b>D.EPHEMERAL_KEYS</b>	<p>The ephemeral key extracted from a certificate (CVC). It may be used to</p> <ul style="list-style-type: none"> <li>• Verify another certificate</li> <li>• Authenticate a subject or a remote IT entity</li> </ul> <p>The ephemeral key is a public portion of a RSA key pair. It can only be extracted with a trusted key, i.e. a key whose issuer is trusted (the public key is either stored in the TOE or extracted from another certificate).</p> <p>This category key is said to be ephemeral as it is not stored in the TOE but has to be directly used to verify another certificate or authenticate a subject or a remote IT</p> <p>In case of authentication protocol relying on asymmetric scheme, it is used to authenticate entities such as</p> <ul style="list-style-type: none"> <li>• <b>a certificate issuer</b></li> <li>• <b>S.Admin</b></li> <li>• <b>S.SCA</b></li> <li>• <b>S.CGA</b></li> <li>• <b>S.SSCD</b></li> <li>• <b>S.IFD</b></li> </ul> <p>Or used to authenticate external entities such as</p> <ul style="list-style-type: none"> <li>• <b>SSCD type 1</b> used to import a <b>SCD</b></li> <li>• <b>SCA</b> for signature creation</li> <li>• <b>CGA</b> for certificate generation.</li> <li>• <b>IFD</b> in case of contactless communication</li> </ul>
<b>D.STATE</b>	<p>Life Cycle state of the TOE. Its value is either <b>"SELECTABLE"</b> (in phase 6) or <b>"PERSONALIZED"</b>. (in phase 7)</p>
<b>D.Medium</b>	<p>Attribute of the TOE indicating which communication medium can be used (contact and/or contactless)</p>
<b>D.HashOffCard</b>	<p>Attribute of the TOE indicating if qualified signature can be performed on a hash computed off card</p>

<b>D.SymAuthMechanisms</b>	Attribute of the TOE indicating if authentication mechanisms based on symmetric scheme can be used
<b>D.AsymAuthMechanisms</b>	Attribute of the TOE indicating if authentication mechanisms based on asymmetric scheme can be used
<b>D.SM_DATA</b>	Keys and data used by the TOE to establish and manage a trusted channel in phase 7. These data ensure identification of both parties (TOE and the entity) and the protection in integrity and confidentiality of data exchanged.

### 3.5. Assumption

#### 3.5.1. Standard Assumption

<b>A.CGA</b>	<b>Trustworthy certification-generation application</b>
--------------	---

The CGA protects the authenticity of the signatory's name and the SVD in the qualified certificate by an advanced signature of the CSP.

<b>A.SCA</b>	<b>Trustworthy signature-creation application</b>
--------------	---

The signatory uses only a trustworthy SCA. The SCA generates and sends the DTBS-representation of data the signatory wishes to sign in a form appropriate for signing by the TOE.

<b>A.SCD_Generate</b>	<b>Trustworthy SCD/SVD generation</b>
-----------------------	---------------------------------------

If a party other than the signatory generates the SCD/SVD-pair of a signatory, then

- (a) this party will use a SSCD for SCD/SVD-generation,
- (b) confidentiality of the SCD will be guaranteed until the SCD is under the sole control of the signatory and
- (c) the SCD will not be used for signature-creation until the SCD is under the sole control of the signatory.
- (d) The generation of the SCD/SVD is invoked by authorised users only
- (e) The SSCD Type1 ensures the authenticity of the SVD it has created and exported

#### 3.5.2. Complementary Assumption

N/A

### 3.6. Threats

#### 3.6.1. Standard threats

<b>T.Hack_Phys</b>	<b>Physical attacks through the TOE interfaces</b>
--------------------	--

An attacker interacts with the TOE interfaces to exploit vulnerabilities, resulting in arbitrary security compromises. This threat addresses all the assets.

<b>T.SCD_Divulg</b>	<b>Storing ,copying, and releasing of the signature-creation data</b>
---------------------	---

An attacker can store, copy the SCD outside the TOE. An attacker can release the SCD during generation, storage and use for signature-creation in the TOE.

<b>T.SCD_Derive</b>	<b>Derive the signature-creation data</b>
---------------------	---

An attacker derives the SCD from public known data, such as SVD corresponding to the SCD or signatures created by means of the SCD or any other data communicated outside the TOE, which is a threat against the secrecy of the SCD.

<b>T.Sig_Forgery</b>	<b>Forgery of the electronic signature</b>
----------------------	--

An attacker forges the signed data object maybe together with its electronic signature created by the TOE and the violation of the integrity of the signed data object is not detectable by the signatory or by third parties. The signature generated by the TOE is subject to deliberate attacks by experts possessing a high attack potential with advanced knowledge of security principles and concepts employed by the TOE.

<b>T.Sig_Repud</b>	<b>Repudiation of signatures</b>
--------------------	----------------------------------

If an attacker can successfully threaten any of the assets, then the non repudiation of the electronic signature is compromised. The signatory is able to deny having signed data using the SCD in the TOE under his control even if the signature is successfully verified with the SVD contained in his un-revoked certificate.

<b>T.SVD_Forgery</b>	<b>Forgery of the signature-verification data</b>
----------------------	---

An attacker forges the SVD presented by the TOE. This result in loss of SVD integrity in the certificate of the signatory.

<b>T.DTBS_Forgery</b>	<b>Forgery of the DTBS-representation</b>
-----------------------	---

An attacker modifies the DTBS-representation sent by the SCA. Thus the DTBS-representation used by the TOE for signing does not match the DTBS the signatory intends to sign.

<b>T.SigF_Misuse</b>	<b>Misuse of the signature-creation function of the TOE</b>
----------------------	---

An attacker misuses the signature-creation function of the TOE to create Signed Data Object for data the signatory has not decided to sign. The TOE is subject to deliberate attacks by experts possessing a high attack potential with advanced knowledge of security principles and concepts employed by the TOE.

### 3.6.2. Complementary threats

<b>T.TOE_ID_Contactless</b>	<b>Identification of the TOE</b>
-----------------------------	----------------------------------

When the TOE is configured to be used in contactless mode, an attacker tries to trace the movement of the TOE by identifying it remotely by establishing or listening a communication through the contactless communication interface.

<b>T.Skimming_Contactless</b>	<b>Skimming of the TOE in contactless</b>
-------------------------------	---

When the TOE is configured to be used in contactless mode, an attacker imitates the device to retrieve data from the TOE via the contact less communication channel of the TOE.

<b>T.Eavesdropping_Contactless</b>	<b>Eavesdropping of the communication between TOE and device</b>
------------------------------------	--

When the TOE is configured to be used in contactless mode, an attacker listens to the communication between the TOE and a device in order to retrieve sensitive data.

<b>T.Key_Divulg</b>	<b>Storing ,copying, and releasing of a key stored in the TOE</b>
---------------------	---

An attacker can store, copy an authentication or eService key stored in the TOE outside the TOE. An authentication key may be either used to authenticate an external entity or the TOE, and may be symmetric or asymmetric. An attacker can release an authentication or eService key during generation, storage and use in the TOE.

<b>T.Key_Derive</b>	<b>Derive a key</b>
---------------------	---------------------

An attacker derives an authentication key (of the TOE or an external entity) or eService key from public known data, such as the corresponding public key or cryptogram created by means of the key or any other data communicated outside the TOE, which is a threat against the secrecy of the key.

<b>T.TOE_PublicAuthKey_Forgery</b>	<b>Forgery of the public key of a TOE authentication key</b>
------------------------------------	--

An attacker forges the public key of a TOE authentication key presented by the TOE. This results in loss of the public key integrity in the authentication certificate of the TOE.

<b>T.Authentication_Replay</b>	<b>Replay of an authentication of an external entity</b>
--------------------------------	--

An attacker retrieves by observation authentication data used by a third party during an authentication sequence. The attacker tries to replay this authentication sequence to grant access to the TOE.

### 3.7. Organizational security policies

#### 3.7.1. Standard organizational security policies

<b>P.CSP_QCert</b>	<b>Qualified certificate</b>
--------------------	------------------------------

The CSP uses a trustworthy CGA to generate the qualified certificate for the SVD generated by the SSCD. The qualified certificates contains at least the elements defined in Annex I of the Directive, i.e., inter alia the name of the signatory and the SVD matching the SCD implemented in the TOE under sole control of the signatory. The CSP ensures that the use of the TOE is evident with signatures through the certificate or other publicly available information.

<b>P.QSign</b>	<b>Qualified electronic signatures</b>
----------------	--

The signatory uses a signature-creation system to sign data with qualified electronic signatures. The DTBS are presented to the signatory by the SCA. The qualified electronic signature is based on a qualified certificate and is created by a SSCD.

<b>P.Sigy_SSCD</b>	<b>TOE as secure signature-creation device</b>
--------------------	--

The TOE stores the SCD used for signature creation under sole control of the signatory. The SCD used for signature generation can practically occur only once.

#### 3.7.2. Complementary organizational security policies

<b>P.EMSEC_Design</b>	<b>The TOE is designed to reduce the E.M emanation</b>
-----------------------	--

The cryptographic computation, memory access, and software execution are implemented in such a way that they are not susceptible to leakage attacks

<b>P.SecurityPolicy_Contactless</b>	<b>Security policy definition.</b>
-------------------------------------	------------------------------------

All the data that may be accessed in contactless mode and that would lead to unambiguously identify and track the TOE shall not be accessible in free mode. They shall be accessed upon successful authentication of the entity willing to access it. Moreover, the TOE shall enforce these data to be accessed through a communication channel protected in confidentiality (for the sole recipient) and ensuring the authentication of the sender. The subject in charge of creating these data that might be accessed in contactless mode (Administrator, Signatory, Personalizer) shall enforce this security policy.



<b>P.LinkSCD_QualifiedCertificate</b>	<b>Link between a SCD stored in the TOE and the relevant qualified certificate</b>
---------------------------------------	--

The Subject in charge of creating and updating the SCD (**Personalization Agent, Administrator, Signatory**), or the remote IT entity involved in the updating process (the **SSCD**, the **CGA**) shall ensure an unambiguous link between the SCD(s) and the matching qualified certificate(s). This link might be figured out by a PKCS#15 structures, an XML structure, an identifier .linking a SCD to the file containing the qualified certificate or the URL hosting them. In particular, it implies it is updated, each time the SCD is created, imported, erased or generated.

<b>P.ControlOfAppletToBeLoaded_Contactless</b>	<b>Control of the other applet that may be loaded on the javacard open platform</b>
--	---

When the TOE is configured to be used in contactless mode, the **Manufacturing Agent** (for phase 5), the **Personalization Agent** (for phase 6), and the **DAP\_Administrator** (for phase 6 & 7) shall ensure that any applet that is loaded on the javacard open platform does not enable to track/identify the TOE.

<b>P.TOE_PublicAuthKey_Cert</b>	<b>Certificate for asymmetric TOE authentication keys</b>
---------------------------------	---

The TOE contains certificate(s) issued by a known entity ensuring its public key corresponding to its private key used for authentication is genuine.

<b>P.TOE_Construction</b>	<b>Construction of the TOE by the Personalization Agent</b>
---------------------------	---

The recommendations indicated in [AGD\_PRE] required to construct the TOE are correctly applied.

### 3.8. Security Objectives for the TOE

#### 3.8.1. Standard security objectives of the TOE

<b>OT.EMSEC_Design</b>	<b>Provide physical emanations security</b>
------------------------	---

Design and build the TOE in such a way as to control the production of intelligible emanations within specified limits.

<b>OT.Lifecycle_Security</b>	<b>Lifecycle security</b>
------------------------------	---------------------------

The TOE shall detect flaws during the initialisation, personalisation and operational usage. The TOE shall provide safe destruction techniques for the SCD in case of re-import or re-generation.

<b>OT.SCD_Secrecy</b>	<b>Secrecy of the signature-creation data</b>
-----------------------	---

The secrecy of the SCD (used for signature generation) is reasonably assured against attacks with a high attack potential.

<b>OT.SCD_SVD_Corresp</b>	<b>Correspondence between SVD and SCD</b>
---------------------------	---

The TOE shall ensure the correspondence between the SVD and the SCD. The TOE shall verify on demand the correspondence between the SCD stored in the TOE and the SVD if it has been sent to the TOE.

<b>OT.SVD_Auth_TOE</b>	<b>TOE ensures authenticity of the SVD</b>
------------------------	--

The TOE provides means to enable the CGA to verify the authenticity SVD that has been exported by that TOE.

<b>OT.Tamper_ID</b>	<b>Tamper detection</b>
---------------------	-------------------------

The TOE provides system features that detect physical tampering of a system component, and use those features to limit security breaches.

<b>OT.Tamper_Resistance</b>	<b>Tamper resistance</b>
-----------------------------	--------------------------

The TOE prevents or resists physical tampering with specified system devices and components.

<b>OT.Init</b>	<b>SCD/SVD generation</b>
----------------	---------------------------

The TOE provides security features to ensure that the generation of the SCD and the SVD is invoked by authorized users only.

<b>OT.SCD_Unique</b>	<b>Uniqueness of the signature-creation data</b>
----------------------	--

The TOE shall ensure the cryptographic quality of the SCD/SVD pair for the qualified electronic signature. The SCD used for signature generation can practically occur only once and cannot be reconstructed from the SVD. In that context 'practically occur once' means that the probability of equal SCDs is negligible low.

<b>OT.SCD_Transfer</b>	<b>Secure transfer of SCD between SSCD</b>
------------------------	--

The TOE shall ensure the confidentiality of the SCD transferred between SSCDs.

<b>OT.DTBS_Integrity_TOE</b>	<b>Verification of the DTBS-representation integrity</b>
------------------------------	--

The TOE shall verify that the DTBS-representation received from the SCA has not been altered in transit between the SCA and the TOE. The TOE itself shall ensure that the DTBS representation is not altered by the TOE as well. Note, that this does not conflict with the signature-creation process where the DTBS itself could be hashed by the TOE.

<b>OT.Sigy_SigF</b>	<b>Signature generation function for the legitimate signatory only</b>
---------------------	--

The TOE provides the signature generation function for the legitimate signatory only and protects the SCD against the use of others. The TOE shall resist attacks with high attack potential.

<b>OT.Sig_Secure</b>	<b>Cryptographic security of the electronic signature</b>
----------------------	---

The TOE generates electronic signatures that cannot be forged without knowledge of the SCD through robust encryption techniques. The SCD cannot be reconstructed using the electronic signatures. The electronic signatures shall be resistant against these attacks, even when executed with a high attack potential.

### 3.8.2. Complementary security objectives of the TOE

<b>OT.Authentication_Secure</b>	<b>Secure authentication mechanisms</b>
---------------------------------	---

The TOE enables to create/erase authentication keys used to provide authentication mechanisms enabling to

- authenticate remote entities in order to grant them some access rights
- authenticate the TOE towards external entities, ensuring it is not cloned

The TOE generates and uses from remote entities authentication cryptogram that cannot be forged without knowledge of the authentication key through robust encryption techniques. The authentication key cannot be reconstructed using the authentication cryptogram. The cryptogram shall be resistant against these attacks, even when executed with a high attack potential. Moreover, the TOE uses freshly generated random in authentication protocols in order to avoid replay attacks.

<b>OT.Privacy_Contactless</b>	<b>Privacy of sensitive data exchanged in contactless</b>
-------------------------------	---

When used in contactless, the TOE protects the access to sensitive data (identification data,..). It enforces the data to be sent from an authenticated device in a manner protected from disclosure, ensuring it can not be retrieved by an attacker. Moreover, any identification data can only be returned to successfully authenticated entities, in a way ensuring they are protected from disclosure and are issued by the TOE.

<b>OT.SCD/SVD_Management</b>	<b>Management of SCD/SVD</b>
------------------------------	------------------------------

The TOE enables to manage SCD/SVD. Each key (pair) and RAD may be created at any time and used to perform qualified signature during the TOE life time. Several SCD, SVD, and RAD may be present on the TOE and used by the same holder. The TOE guarantees the SCD, SVD and RAD are independent from each other.

<b>OT.Key_Lifecycle_Security</b>	<b>Lifecycle security of the key(s) stored in the TOE</b>
----------------------------------	---

The TOE shall detect flaws during the initialisation, personalisation and operational usage. The TOE shall provide safe destruction techniques for the authentication keys (of

the TOE and/or the external entities) and eServices keys it stores in case of erasure, re-import or re-generation.

<b>OT.Key_Secrecy</b>	<b>Secrecy of the key(s) stored in the TOE</b>
-----------------------	--

The secrecy of the authentication keys (of the TOE and/or the external entities) and eServices keys stored in the TOE is reasonably assured against attacks with a high attack potential.

<b>OT.TOE_AuthKey_Unique</b>	<b>Uniqueness of the TOE authentication key(s)</b>
------------------------------	--

The TOE shall ensure the cryptographic quality of the asymmetric authentication key pair used for the TOE authentication. The private key used for TOE authentication can practically occur only once and cannot be reconstructed from the public key. In that context 'practically occur once' means that the probability of equal TOE authentication key is negligible low.

<b>OT.LifeCycle_Management</b>	<b>Management of the life cycle</b>
--------------------------------	-------------------------------------

The TOE provides a life cycle management enabling to separate its life cycle in two main phases.

The first one (phase 6) is the one during the TOE is under the sole control of the Personalization Agent. The following operation may be realized:

- The **SCD, SVD** may be created, generated, imported or erased
- The **ESERVICES\_KEYS, AUTH\_KEYS, TOE\_AUTH\_PUBLIC\_KEYS** and **TOE\_AUTH\_PRIVATE\_KEYS** may be created, imported, generated or erased
- The **RAD (s)** may be created and loaded
- **SVD** may be exported
- **TOE\_AUTH\_PUBLIC\_KEYS** may be exported

Once performed, the Personalization Agent switches the TOE in phase 7. This transition is irreversible leaving the TOE under the sole control of the signatory, the administrator (including the SCA, CGA, SSCD, IFD) and the TOE\_Administrator according to the security rules set by the Personalization Agent.

<b>OT.eServices</b>	<b>Provision of eServices</b>
---------------------	-------------------------------

The TOE provides eServices Mechanisms enabling to create, import, generate, export the matching public key and erase eServices keys. These keys are used to

- decrypt encryption keys
- authenticate the TOE
- verify CVC certificates

### 3.9. Security objectives for the Environment

#### 3.9.1. Standard security objectives of the Environment

<b>OE.SCD_SVD_Corresp</b>	<b>Correspondence between SVD and SCD</b>
---------------------------	---

The SSCD Type1 shall ensure the correspondence between the SVD and the SCD. The SSCD Type1 shall verify the correspondence between the SCD sent to the TOE and the SVD sent to the CGA or TOE.

<b>OE.SCD_Transfer</b>	<b>Secure transfer of SCD between SSCD</b>
------------------------	--

The SSCD Type1 shall ensure the confidentiality of the SCD transferred to the TOE. The SSCD Type1 shall prevent the export of a SCD that already has been used for signature generation by the SSCD Type2. The SCD shall be deleted from the SSCD Type1 whenever it is exported into the TOE.

<b>OE.SCD_Unique</b>	<b>Uniqueness of the signature-creation data</b>
----------------------	--

The SSCD Type1 shall ensure the cryptographic quality of the SCD/SVD pair for the qualified electronic signature. The SCD used for signature generation can practically occur only once and cannot be reconstructed from the SVD. In that context 'practically occur once' means that the probability of equal SCDs is negligible low.

<b>OE.CGA_QCert</b>	<b>Generation of qualified certificates</b>
---------------------	---

The CGA generates qualified certificates which include inter alia

- (a) the name of the signatory controlling the TOE,
- (b) the SVD matching the SCD implemented in the TOE under sole control of the signatory,
- (c) the advanced signature of the CSP.

<b>OE.SVD_Auth_CGA</b>	<b>CGA verifies the authenticity of the SVD</b>
------------------------	---

The CGA verifies that the SSCD is the sender of the received SVD and the integrity of the received SVD. The CGA verifies the correspondence between the SCD in the SSCD of the signatory and the SVD in the qualified certificate.

<b>OE.HI_VAD</b>	<b>Protection of the VAD</b>
------------------	------------------------------

If an external device provides the human interface for user authentication, this device will ensure confidentiality and integrity of the VAD as needed by the authentication method employed.

<b>OE.SCA_Data_Intend</b>	<b>Data intended to be signed</b>
---------------------------	-----------------------------------

The SCA

- (a) generates the DTBS-representation of the data that has been presented as DTBS and which the signatory intends to sign in a form which is appropriate for signing by the TOE,
- (b) sends the DTBS-representation to the TOE and enables verification of the integrity of the DTBS-representation by the TOE
- (c) attaches the signature produced by the TOE to the data or provides it separately.

### 3.9.2. Complementary security objectives of the Environment

<b>OE.SecurityPolicy_Contactless</b>	<b>Security policy definition.</b>
--------------------------------------	------------------------------------

All the data that may be accessed in contactless mode and that would lead to unambiguously identify and track the TOE shall not be accessible in free mode. They shall be assigned a relevant security policy ensuring they can only be accessed by a successfully authenticated entity. Moreover, they shall only be transferred in a manner ensuring protection in confidentiality (can only be retrieved by the entitled recipient) and proving the authenticity of the sender.

<b>OE.LinkSCD_QualifiedCertificate</b>	<b>Link between a SCD stored in the TOE and the relevant qualified certificate</b>
--	--

The Subject in charge of creating and updating the SCD (**Personalization Agent, Administrator, Signatory**), or the remote IT entity involved in the updating process (the **SSCD, the CGA**) shall ensure an unambiguous link between the SCD(s) and the matching (qualified) certificate(s). This link might be figured out by a PKCS#15 structures, an XML structure, an identifier .linking a SCD to the file containing the qualified certificate or the URL hosting them. In particular, it implies it is updated, each time the SCD is created, imported, erased or generated.

<b>OE.ControlOfAppletToBeLoaded_Contactless</b>	<b>Control of the other applet that may be loaded on the javacard open platform</b>
---	---

Prior to any applet loading, the entity in charge of administrating the javacard open platform shall make sure the applet does not disclose identification data that may be used by an attacker to track the TOE in contactless mode (e.g. a static identifier in free access,...)

<b>OE.AuthKey_Transfer</b>	<b>Secure transfer of Authentication key(s) to the TOE</b>
----------------------------	--

The entity in charge of generating the authentication keys to be loaded in the TOE shall ensure the confidentiality of the key(s) transferred to the TOE.

<b>OE.AuthKey_Unique</b>	<b>Uniqueness of the authentication key(s)</b>
--------------------------	--

The entity in charge of generating the authentication keys to be loaded in the TOE shall ensure the cryptographic quality of the authentication key(s). The authentication key used for authentication can practically occur only once and, in case of a TOE authentication key cannot be reconstructed from its public portion. In that context 'practically occur once' means that the probability of equal keys is negligible low.

**OE.TOE\_PublicAuthKey\_Transfer Secure transfer of Public Authentication key(s) of the TOE**

The entity in charge of generating the authentication certificate from the TOE's authentication public key generated in the TOE shall ensure the authenticity of this data when transferred from the TOE. This may be achieved by the retrieval of the public key according to certain rules imposed to the TOE holders.

**OE.TOE\_Construction Construction of the TOE by the Personalization Agent**

The Personalization Agent in charge of administrating the TOE in phase 6 shall be a trusted person and shall be skilled enough to correctly apply the recommendations indicated in [AGD\_PRE]. These recommendations are required to construct the TOE

### 3.10. TOE Security functional requirements

#### 3.10.1. FCS: CRYPTOGRAPHIC SUPPORT

##### **FCS\_CKM.1 Cryptographic key generation**

FCS CKM.1.1 / RSA

The TSF shall generate cryptographic keys in accordance with a specified cryptographic key generation algorithm [**RSA key generation**] and specified cryptographic key sizes [**1024 bits or 1536 bits or 2048 bits**] that meet the [**ANSI X9.31**]

FCS CKM.1.1 / DES session keys

The TSF shall generate cryptographic keys in accordance with a specified cryptographic key generation algorithm [**DES key generation**] and specified cryptographic key sizes [**128 bits**] that meet the [**IASECC**]

Refinement Note:

The hashing algorithm used by the TOE to generate the session keys from the Seed is the SHA-1 and SHA-256.

##### **FCS\_CKM.4 Cryptographic key destruction**

FCS\_CKM.4.1 / SCD/SVD

The TSF shall destroy cryptographic keys in accordance with a specified cryptographic key destruction method [**overwriting the buffer containing the key with zero**] that meets the following: [**none**].

Refinement:

This SFR applies to all asymmetric keys, whether it is a qualified signature key (SCD or SVD), a TOE authentication key (TOE\_AUTH\_PUBLIC\_KEYS and TOE\_AUTH\_PRIVATE\_KEYS), an eServices key (ESERVICES\_KEYS except the Diffie Hellman Domain parameters).

Application note:

The cryptographic key SCD will be destroyed on demand of the Signatory or Administrator. The destruction of the SCD is mandatory before the SCD is re-imported into the TOE.

FCS CKM.4.1 / Symmetric keys

The TSF shall destroy cryptographic keys in accordance with a specified cryptographic key destruction method [**overwriting the buffer containing the key with zero**] that meets the following: [**none**].

Application note:

The Symmetric DES key includes the keys used for the device authentication and the External Role authentication based on the symmetric scheme (both belonging to AUTH\_KEYS) as well as the secure messaging session keys.

The destruction of the previous keys is mandatory when they are updated

## FCS\_COP Cryptographic operation

### FCS\_COP.1 Cryptographic operation

FCS COP.1.1/ CORRESP

The TSF shall perform [**SCD/SVD correspondence verification**] in accordance with a specified cryptographic algorithm [**PKCS #1 V1.5 Block Type 1 with Message Digest Info with RSA CRT**] and cryptographic key sizes [**1024 bits, 1536 bits or 2048 bits**] that meet the following: [**PKCS #1 v1.5**].

FCS COP.1.1/ SIGNING

The TSF shall perform [**Digital signature-generation**] in accordance with a specified cryptographic algorithm [**PKCS #1 V1.5 Block Type 1 with Message Digest Info addition with RSA CRT key**] and cryptographic key sizes [**1024 bits, 1536 bits or 2048 bits**] that meet the following: [**PKCS #1 v1.5**].

FCS COP.1.1/ Diffie Hellman computation

The TSF shall perform [**Key Agreement**] in accordance with a specified cryptographic algorithm [**Diffie Hellmann**] and cryptographic key sizes [**1024 bits, 1536 bits or 2048 bits**] that meet the following: [**PKCS#3**].

FCS COP.1.1/ Secure Messaging in Confidentiality

The TSF shall perform [**Secure Messaging in confidentiality**] in accordance with a specified cryptographic algorithm [**Retail MAC**] and cryptographic key sizes [**128 bits**] that meet the following: [**IASECC**].



Application Note: This algorithm is used during secure Messaging: in confidentiality of incoming and outgoing data

FCS\_COP.1.1/ Secure Messaging in Integrity

The TSF shall perform [**Secure Messaging in integrity**] in accordance with a specified cryptographic algorithm [**Triple DES CBC encryption/decryption**] and cryptographic key sizes [**128 bits**] that meet the following: [**IASECC**].

Application Note: This algorithm is used during secure Messaging: in integrity of incoming and outgoing data

FCS\_COP.1.1/ Data hashing

The TSF shall perform [**data hashing**] in accordance with a specified cryptographic algorithm [**SHA-1 and SHA-256**] and cryptographic key sizes [**none**] that meet the following: [**FIPS 140-2**].

Application Note: This SFR corresponds to the data hashing used by the TOE.

FCS\_COP.1.1/ C/S Authentication

The TSF shall perform [**C/S Authentication**] in accordance with a specified cryptographic algorithm [**PKCS #1 V1.5 Block Type 1 without Message Digest Info addition with RSA CRT key**] and cryptographic key sizes [**1024 bits, 1536 bits or 2048 bits**] that meet the following: [**PKCS#1 v1.5**].

FCS\_COP.1.1/ Encryption key decipherment

The TSF shall perform [**Encryption key decipherment**] in accordance with a specified cryptographic algorithm [**PKCS #1 V1.5 Block Type 2 without Message Digest Info addition with RSA CRT key**] and cryptographic key sizes [**1024 bits, 1536 bits or 2048 bits**] that meet the following: [**PKCS#1 v1.5**].

FCS\_COP.1.1/ Symmetric Role Authentication

The TSF shall perform [**Symmetric Role Authentication**] in accordance with a specified cryptographic algorithm [**based on Triple DES**] and cryptographic key sizes [**128 bits**] that meet the following: [**IASECC**].

FCS\_COP.1.1/ Symmetric Device Authentication

The TSF shall perform [**Symmetric Device Authentication**] in accordance with a specified cryptographic algorithm [**based on Triple DES**] and cryptographic key sizes [**128 bits**] that meet the following: [**IASECC**].

FCS\_COP.1.1/ Certificate Verification

The TSF shall perform [**Certificate verification**] in accordance with a specified cryptographic algorithm [**RSA with ISO9796-2 padding with partial recovery and with SHA-1 or SHA-256**] and cryptographic key sizes [**1024 bits, 1536 bits or 2048 bits**] that meet the following: [**IASECC**].

FCS\_COP.1.1/ Asymmetric Role Authentication

The TSF shall perform [**Asymmetric Role Authentication**] in accordance with a specified cryptographic algorithm [**RSA with ISO9796-2 padding with partial recovery and with SHA-1 or SHA-256**] and cryptographic key sizes [**1024 bits, 1536 bits or 2048 bits**] that meet the following: [**IASECC**].

FCS\_COP.1.1/ Asymmetric Internal DAPP Authentication

The TSF shall perform [**Asymmetric Internal DAPP Authentication**] in accordance with a specified cryptographic algorithm [**RSA with ISO9796-2 padding with partial recovery and with SHA-1 or SHA-256**] and cryptographic key sizes [**1024 bits, 1536 bits or 2048 bits**] that meet the following: [**IASECC**].

FCS\_COP.1.1/ Asymmetric External DAPP Authentication

The TSF shall perform [**Asymmetric External DAPP Authentication**] in accordance with a specified cryptographic algorithm [**RSA with ISO9796-2 padding with partial recovery and with SHA-1 or SHA-256**] and cryptographic key sizes [**1024 bits, 1536 bits or 2048 bits**] that meet the following: [**IASECC**].

FCS\_COP.1.1/ GP Authentication

The TSF shall perform [**GP Authentication**] in accordance with a specified cryptographic algorithm [**assignment: cryptographic algorithm**] and cryptographic key sizes [**128 bits**] that meet the following: [**assignment: list of standards**].

Refinement:

<i>cryptographic algorithm</i>	<i>list of standards</i>
<b>Triple DES</b>	<b>SCP1 and SCP02 as defined in [GP]</b>

Application Note:

The type of algorithm used by the TOE depends on the configuration set during the platform personalisation (For more details see [AGD\_PRE\_TERPSICHORE]). The algorithm selection is performed by the subject R.Prepersonalizer and is covered by FMT\_MTD.1/JCRE

FCS\_COP.1.1/ GP secret data encryption

The TSF shall perform [**GP secret data encryption**] in accordance with a specified cryptographic algorithm [**assignment: cryptographic algorithm**] and cryptographic key sizes [**128 bits**] that meet the following: [**assignment: list of standards**].

Refinement:

<i>cryptographic algorithm</i>	<i>list of standards</i>
<b>Triple DES</b>	<b>SCP1 and SCP02 as defined in [GP]</b>

Application Note:

The type of algorithm used by the TOE depends on the configuration set during the javacard open platform personalisation (For more details see [AGD\_PRE\_TERPSICHORE]). The algorithm selection is performed by the subject R.Prepersonalizer and is covered by FMT\_MTD.1/JCRE

## FCS\_RNG Random Number Generation

### FCS\_RNG.1 / Random Number Generation

#### FCS\_RNG.1.1

The TSF shall provide a [**hybrid**] random number generator that implements: [**none**].

#### FCS\_RNG.1.2

The TSF shall provide random numbers that meet [**khi 2 test**].

## 3.10.2. FDP : USER DATA PROTECTION

### FDP\_ACC Access Control Policy

#### FDP\_ACC.1.1/SVD transfer SFP

The TSF shall enforce the [**SVD transfer SFP**] on [**import and export of SVD by User or Personalizer**].

#### FDP\_ACC.1.1/Initialisation SFP

The TSF shall enforce the [**Initialisation SFP**] on [**Generation of SCD/SVD pair by User or Personalizer**].

#### FDP\_ACC.1.1/ Personalisation SFP

The TSF shall enforce the [**Personalisation SFP**] on [**Creation of PIN RAD by Administrator or Personalizer**].

#### FDP\_ACC.1.1/Signature-creation SFP

The TSF shall enforce the [**Signature-creation SFP**] on  
[**Sending of DTBS representation by SCA**]  
[**Signing of DTBS-representation by Signatory**].

#### FDP\_ACC.1.1/SCD Import SFP

The TSF shall enforce the [**SCD Import SFP**] on [**Import of SCD by User or Personalizer**].

#### FDP\_ACC.1.1/IAS ECC Administration SFP

The TSF shall enforce the [**IAS ECC Administration SFP**] on [**Management of Medium, HashOffCard, SymAuthMechanisms and AsymAuthMechanisms by the TOE Administrator or Personalizer**].

#### FDP\_ACC.1.1/Key Management SFP

The TSF shall enforce the [**Key Management SFP**] on [**import of AUTH\_KEYS, TOE\_AUTH\_PRIVATE\_KEYS, TOE\_AUTH\_PUBLIC\_KEYS and ESERVICES\_KEYS, generation of TOE\_AUTH\_PRIVATE\_KEYS/TOE\_AUTH\_PUBLIC\_KEYS and ESERVICES\_KEYS (except Diffie Hellman Domain parameters), export of TOE\_AUTH\_PUBLIC\_KEYS, public portion of ESERVICES\_KEYS (including Diffie Hellman Domain parameters ) by the User or Personalizer**].

FDP\_ACC.1.1/Protection against eavesdropping SFP

The TSF shall enforce the [**Protection against eavesdropping SFP**] on [**receiving RAD, VAD, SVD, DTBS, ESERVICES\_KEYS, AUTH\_KEYS, TOE\_AUTH\_PUBLIC\_KEYS , TOE\_AUTH\_PRIVATE\_KEYS and exporting IDENTIFICATION\_DATA, SVD, TOE\_AUTH\_PUBLIC\_KEYS, public portion of ESERVICES\_KEYS (except Diffie Hellman Domain parameters) and SIGNATURE**].

Application note:

It is very important to stress the following point. When used in contactless, the TOE will have to apply this policy to receive the VAD, RAD, DTBS, AUTH\_KEYS, ESERVICES KEYS, TOE\_AUTH\_PRIVATE\_KEYS and TOE\_AUTH\_PUBLIC\_KEYS and return the signature, the SVD, the eServices keys (except the Diffie Hellman Domain parameters), the TOE\_AUTH\_PUBLIC\_KEYS, the identification data. It does not conflict with the existing security policies set for SCD import, signature creation, SVD export...it only enhances the security policies. In such case, the IFD will be considered as a unique entity acting as a SCA, CGA and SSCD. However, the IFD may afterwards dispatch the data to the true SCA, CGA and SSCD, provided it does ensures a trusted channel between the IFD and the SCA, CGA and SSCD.

## FDP\_ACF Security attribute based access control

Here is a mapping between the user, subject, objet, attribute and attached status as defined in [SSCD2] & [SSCD3].

General Attribute			
Subject	Attribute	Status	Remark
User, Personalizer	Role	S.Admin	Several User with the status <b>S.Admin</b> may be distinguished by the TOE The Role <b>S.Admin</b> may be granted upon successful authentication based on a cryptographic mean or on a <b>RAD</b> (PIN) verification This subject can only interact in <b>phase 7</b> of the life cycle

		<b>S.Signatory</b>	The Role <b>S.Signatory</b> may be granted upon successful authentication based on a <b>RAD</b> verification This subject can only interact in <b>phase 7</b> of the life cycle
		<b>S.Personalizer</b>	The Role <b>S.Personalizer</b> may be granted upon successful GP authentication based on a cryptographic mean This subject can only interact in <b>phase 6</b> of the life cycle

<b>Administration group</b>
-----------------------------

TOE Attributes	Meaning	Status	Remark
<b>Medium</b>	Communication medium allowed	<b>Contact</b>	The TOE may be configured to allow communication in contact and/or contactless mode. The communication to be used by the TOE may be changed in phase 6 by <b>S.Personalizer</b> and in phase 7 by <b>S.TOE_Admin</b>
		<b>Contactless</b>	
<b>HashOffCard</b>	Qualified signature computed over hash computed off card	<b>Authorized</b>	The TOE may be configured to allow the qualified signature to be computed from a hash off card. It may be changed in phase 6 by <b>S.Personalizer</b> and in phase 7 by <b>S.TOE_Admin</b>
		<b>Not authorized</b>	

<b>SymAuthMechanisms</b>	Authentication mechanisms based on symmetric scheme allowed	<b>Authorized</b>	The TOE may be configured to enable/disable the authentication mechanism based on symmetric scheme. It may be changed in phase 6 by <b>S.Personalizer</b> and in phase 7 by <b>S.TOE_Admin</b>
		<b>Not authorized</b>	
<b>AsymAuthMechanisms</b>	Authentication mechanisms based on asymmetric scheme allowed	<b>Authorized</b>	The TOE may be configured to enable/disable the authentication mechanism based on asymmetric scheme. It may be changed in phase 6 by <b>S.Personalizer</b> and in phase 7 by <b>S.TOE_Admin</b>
		<b>Not authorized</b>	

Initialisation attribute group

Subject	Security Attribute	Status	Remark
<p><b>User, Personalizer</b></p>	<p><b>SCD/SVD Management</b></p>	<p><b>Authorized</b></p>	<p>The TOE controls the access on every object it possess, in particular the <b>SCD</b> and the <b>SVD</b>.</p> <p>In phase 6, the subject with the role <b>S.Personalizer</b> has the attribute <b>SCD/SVD Management</b> set to Authorized.</p> <p>In Phase 7, two access mode may be distinguished by the TOE</p> <ul style="list-style-type: none"> <li>• <b>SCD/SVD generation</b> (type 3)</li> <li>• <b>SCD/SVD import</b> (type 2)</li> </ul>
		<p><b>Not authorized</b></p>	<p>The access condition is granted to a User if the following conditions are fulfilled:</p> <ul style="list-style-type: none"> <li>• The User is successfully authenticated</li> <li>• The User was given the right to manage the <b>SCD &amp; SVD</b> (import and/or generation) by the TOE issuer.</li> </ul> <p>If theses two conditions are fulfilled, the attribute <b>SCD/SVD management</b> is set to <b>authorized</b>, otherwise it is set to <b>not authorized</b></p> <p>This subject can only interact in phase 7 of the life cycle</p>

User Data	Security Attribute	Status	Remark
SCD	Secure SCD Import Allowed	No	<p>The TOE controls the access on every object it possesses, in particular the <b>SCD</b>.</p> <p>In phase 6, the key is imported from a <b>SSCD type 1</b>. The <b>SSCD</b> securely transmits the <b>SCD</b> to the TOE by mean of an encryption key. The encryption key is deduced from diversifying data agreed during the authentication of <b>S.Personnalizer</b> with the TOE. Therefore, the security attribute <b>Secure SCD import</b> is set to <b>Yes</b> when the Subject has the role <b>S.Personnalizer</b></p>
		Yes	<p>In phase 7, the access mode <b>SCD Import</b> may be refined to ensure the <b>SCD</b> is imported</p> <ul style="list-style-type: none"> <li>• from an entitled entity (<b>SSCD type 1</b>)</li> <li>• through a trusted channel ensuring the confidentiality and integrity of the data exchanged</li> </ul> <p>This refinement does not conflict with <b>SCD/SVD Management</b></p> <p>The access condition is granted to a remote entities if the following conditions are fulfilled:</p> <ul style="list-style-type: none"> <li>• The remote entities is successfully authenticated</li> <li>• The remote entities sends the <b>SCD</b> through a secure channel ensuring confidentiality and integrity</li> </ul> <p>If these two conditions are fulfilled, the attribute <b>Secure SCD Import Allowed</b> is set to <b>Yes</b>, otherwise it is set to <b>No</b></p>



**Signature-creation attribute group**

User Data	Security Attribute	Status	Remark
SCD	SCD operational	No	The attribute <b>SCD operational</b> is granted by the submission of the <b>RAD</b> by the User <b>S.Signatory</b>
		Yes	
DTBS	Sent by an authorized SCA	No	The TOE imposes the <b>DTBS</b> to be sent just before the signature computation request. As the TOE controls the access on every object it possess, in particular the <b>SCD</b> and the <b>SVD</b> , requesting the <b>SCD</b> to be sent by an authorized SCA will ensure the attribute <b>Sent by an authorized SCA</b> for the DTBS is controlled.
		Yes	

**Key Management group**

Subject	Security Attribute	Status	Remark
User SCA CGA SSCD type 1 IFD Personalizer	Key import Management	Authorized	In phase 6, the subject with the role <b>S.Personalizer</b> has the attribute Key import Management set to Authorized
		Not authorized	In phase 7, the TOE controls the access on every object it possess, in particular a key belonging to the <b>AUTH_KEYS</b> , <b>ESERVICES_KEYS</b> , <b>TOE_AUTH_PRIVATE_KEYS</b> or <b>TOE_AUTH_PUBLIC_KEYS</b> . The access condition is granted to <b>User</b> , <b>SCA</b> , <b>CGA</b> , <b>SSCD type 1</b> or <b>IFD</b> if the following conditions are fulfilled: The Subject is successfully authenticated The Subject was given the right to import a key (belonging to groups indicated above) If theses two conditions are fulfilled, the attribute Key import management is set to authorized, otherwise it is set to not authorized This subject can only interact in phase 7 of the life cycle

	Key generation Management	Authorized	<p>In phase 6, the subject with the role <b>S.Personalizer</b> has the attribute Key generation Management set to Authorized</p> <p>In phase 7, the TOE controls the access on every object it possess, in particular a key belonging to the <b>ESERVICES_KEYS</b> (including Diffie Hellmann Domain parameters) <b>TOE_AUTH_PRIVATE_KEYS</b> or <b>TOE_AUTH_PUBLIC_KEYS</b>.</p> <p>The access condition is granted to <b>User, SCA, CGA, SSCD type 1</b> or <b>IFD</b> if the following conditions are fulfilled:          The Subject is successfully authenticated          The Subject was given the right to generate a key (belonging to groups indicated)          If theses two conditions are fulfilled, the attribute Key generation management is set to authorized, otherwise it is set to not authorized          This subject can only interact in phase 7 of the life cycle</p>
		Not authorized	
	Key export Management	Authorized	<p>In phase 6, the subject with the role <b>S.Personalizer</b> has the attribute Key export Management set to Authorized</p> <p>In phase 7, the TOE controls the access on every object it possess, in particular a key belonging to the public portions of <b>ESERVICES_KEYS</b> (including Diffie Hellmann Domain parameters, and <b>TOE_AUTH_PUBLIC_KEYS</b>.</p> <p>The access condition is granted to <b>User, SCA, CGA, SSCD type 1</b> or <b>IFD</b> if the following conditions are fulfilled:          The Subject is successfully authenticated          The Subject was given the right to export a key (belonging to groups</p>
		Not authorized	

			<p>indicated)</p> <p>If these two conditions are fulfilled, the attribute Key export management is set to authorized, otherwise it is set to not authorized</p> <p>This subject can only interact in phase 7 of the life cycle</p>
--	--	--	--

**Protection against eavesdropping group**

User	Security Attribute	Status	Remark
IFD	Data exchange in contactless	Not authorized	<p>The TOE controls the access on every object it possesses, in particular the <b>DTBS, VAD, SIGNATURE, RAD, SVD, AUTH_KEYS, ESERVICES_KEYS, TOE_AUTH_PRIVATE_KEYS</b> or <b>TOE_AUTH_PUBLIC_KEYS</b>.</p> <p>The access condition is granted to IFD if the following conditions are fulfilled:</p> <p>The Subject is successfully authenticated</p> <p>The Subject was given the right to import/export the data</p> <p>A secure channel exists in order to protect the data exchange</p>
		authorized	<p>If these three conditions are fulfilled, the attribute "Data exchange in contactless " is set to authorized, otherwise it is set to not authorized</p>

***SVD transfer SFP***

FDP\_ACF.1.1/ SVD transfer SFP  
 The TSF shall enforce the [**SVD transfer SFP**] to objects based on [**General attribute**]

FDP\_ACF.1.2/ SVD transfer SFP  
 The TSF shall enforce the following rules to determine if an operation among controlled subjects and controlled objects is allowed:

- (a) [**In phase 7, the User with the security attribute "role" set to "Administrator" or "Signatory" is allowed to export SVD**]
- (b) [**In phase 6, the subject with the security attribute "role" set to "Personalizer" is allowed to export SVD in phase 6.**]

Refinement note:

Depending on the use case, the "role" allowed to export the SVD may be restricted to "Administrator" (or one of its sub-subjects: SCA, CGA, SSCD, IFD) or to "Signatory"

FDP\_ACF.1.3/ SVD transfer SFP

The TSF shall explicitly authorise access of subjects to objects based on the following additional rules: **[none]**

FDP\_ACF.1.4/ SVD transfer SFP

The TSF shall explicitly deny access of subjects to objects based on the following additional rules: **[none]**

Application note:

The SVD may be exported in phase 6 & 7 of the life cycle

### ***Initialisation SFP***

FDP\_ACF.1.1/ Initialisation SFP

The TSF shall enforce the **[Initialisation SFP]** to objects based on **[General attribute]** and **[Initialisation attribute group]**.

FDP\_ACF.1.2/ Initialisation SFP

The TSF shall enforce the following rules to determine if an operation among controlled subjects and controlled objects is allowed:

(a) **[In phase 7, the user with the security attribute "role" set to "Administrator" or set to "Signatory" and with the security attribute "SCD/SVD management" set to "authorised" is allowed to generate SCD/SVD pair.]**

(b) **[In phase 6, the subject with the security attribute "role" set to "Personalizer" is allowed to generate SCD/SVD pair.]**

Refinement note:

Depending on the use case, the "role" allowed to generate the SCD/SVD may be restricted to "Administrator" (or one of its sub-subjects : SCA, CGA, SSCD, IFD) or to "Signatory"

FDP\_ACF.1.3/ Initialisation SFP

The TSF shall explicitly authorise access of subjects to objects based on the following additional rules: **[none]**

FDP\_ACF.1.4/ Initialisation SFP

The TSF shall explicitly deny access of subjects to objects based on the following additional rules:

(a) **[In phase 7, the user with the security attribute "role" set to "Administrator" or set to "Signatory" and with the security attribute "SCD/SVD management" set to "not authorised" is not allowed to generate SCD/SVD pair.]**

(b) **[In phase 6, the subject without the security attribute "role" set to " Personalizer " is not allowed to generate SCD/SVD pair.]**

Application note:

The Initialization SFP applies in phase 6 & 7 of the life cycle

### ***SCD Import SFP***

FDP\_ACF.1.1/ SCD Import SFP

The TSF shall enforce the **[SCD Import SFP]** to objects based on **[General attribute]** and **[Initialisation attribute group]**.

FDP\_ACF.1.2/ SCD Import SFP

The TSF shall enforce the following rules to determine if an operation among controlled subjects and controlled objects is allowed:

(a) **[In phase 7, the user with the security attribute "role" set to "Administrator" or set to "Signatory" and with the security attribute "SCD/SVD management" set to "authorised" is allowed to import SCD if the security attribute "secure SCD import allowed" is set to "yes".]**

(b) **[In phase 6, the subject with the security attribute "role" set to "Personalizer" is allowed to import SCD]**

Refinement note:

Depending on the use case, the "role" allowed to import the SCD may be restricted to "Administrator" (or one of its sub-subjects: SCA, CGA, SSCD, IFD) or to "Signatory"

The role "Personalizer" implies that the security attribute "SCD/SVD Management" is set to "authorized" and "secure SCD import allowed" is set to Yes.

FDP\_ACF.1.3/ SCD Import SFP

The TSF shall explicitly authorise access of subjects to objects based on the following additional rules:  
**[none]**

FDP\_ACF.1.4/ SCD Import SFP

The TSF shall explicitly deny access of subjects to objects based on the following additional rules:

(a) **[In phase 7, the user with the security attribute "role" set to "Administrator" or to "Signatory" and with the security attribute "SCD/SVD management" set to "not authorised" is not allowed to import SCD if the security attribute "secure SCD import allowed" is set to "yes".]**

(b) **[In phase 7, the user with the security attribute "role" set to "Administrator" or to "Signatory" and with the security attribute "SCD/SVD management" set to "authorised" is not allowed to import SCD if the security attribute "secure SCD import allowed" is set to "no".]**

(c) **[In phase 6, the user without the security attribute "role" set to " Personalizer " is not allowed to import SCD.]**

Application note:

The SCD Import SFP applies in phase 6 & 7 of the life cycle

The SCD import SFP enables as well to erase the SCD

## ***Personalisation SFP***

FDP\_ACF.1.1/ Personalisation SFP

The TSF shall enforce the **[Personalisation SFP]** to objects based on Personalisation SFP **[General attribute group]**

FDP\_ACF.1.2/ Personalisation SFP

The TSF shall enforce the following rules to determine if an operation among controlled subjects and controlled objects is allowed:

(a) **[In phase 7, the User with the security attribute "role" set to "Administrator" is allowed to create the RAD]**

(b) **[In phase 6, the subject with the security attribute "role" set to "Personalizer" is allowed to create the RAD]**

Refinement note:

Depending on the use case, the "role Administrator" allowed to create the PIN may be restricted to a sub-subjects or Administrator (SCA, CGA, SSCD, IFD)

FDP\_ACF.1.3/ Personalisation SFP

The TSF shall explicitly authorise access of subjects to objects based on the following additional rules:  
[**none**]

FDP\_ACF.1.4/ Personalisation SFP

The TSF shall explicitly deny access of subjects to objects based on the following additional rules: [**none**]

Application note:

The Personalization SFP applies in phase 6 & 7 of the life cycle

### ***Signature Creation SFP***

FDP\_ACF.1.1/ Signature-creation SFP

The TSF shall enforce the [**Signature-creation SFP**] to objects based on [**General attribute group**] and [**Signature-creation attribute group**].

FDP\_ACF.1.2/ Signature-creation SFP

The TSF shall enforce the following rules to determine if an operation among controlled subjects and controlled objects is allowed:

**[In phase 7, the User with the security attribute "role" set to "Signatory" is allowed to create electronic signatures for DTBS sent by an authorized SCA with SCD by the Signatory which security attribute "SCD operational" is set to "yes"]**

FDP\_ACF.1.3/ Signature-creation SFP

The TSF shall explicitly authorise access of subjects to objects based on the following additional rules:  
[**none**]

FDP\_ACF.1.4/ Signature-creation SFP

The TSF shall explicitly deny access of subjects to objects based on the following additional rules:

- (a) **[In phase 6 and 7, User with the security attribute "role" set to "Signatory" is not allowed to create electronic signatures for DTBS which is not sent by an authorized SCA with SCD by the Signatory which security attribute "SCD operational" is set to "yes".]**
- (b) **[In phase 6 and 7, User with the security attribute "role" set to "Signatory" is not allowed to create electronic signatures for DTBS sent by an authorized SCA with SCD by the Signatory which security attribute "SCD operational" is set to "no".]**
- (c) **[In phase 6, User with the security attribute "role" set to "Signatory" is not allowed to create electronic signatures for DTBS sent by an authorized SCA with SCD by the Signatory which security attribute "SCD operational" is set to "yes".]**

Application note:

The Signature creation SFP applies in phase 6 and 7 of the life cycle

### ***IAS ECC Administration SFP***

FDP\_ACF.1.1/ IAS ECC Administration SFP

The TSF shall enforce the [**IAS ECC Administration SFP**] to objects based on [**Administration group**].

FDP\_ACF.1.2/ IAS ECC Administration SFP

The TSF shall enforce the following rules to determine if an operation among controlled subjects and controlled objects is allowed:

- (a) **[In phase 7, Subject with the security attribute "role" set to "TOE\_Administrator" is allowed to modify the TOE attributes]**
- (b) **[In phase 6, Subject with the security attribute "role" set to "Personalizer" is allowed to modify the TOE attributes]**

FDP\_ACF.1.3/ IAS ECC Administration SFP

The TSF shall explicitly authorise access of subjects to objects based on the following additional rules:  
**[none]**

FDP\_ACF.1.4/ IAS ECC Administration SFP

The TSF shall explicitly deny access of subjects to objects based on the following additional rules:

- (a) **[In phase 7, Subject without the security attribute "role" set to "TOE\_Administrator" is allowed to modify the TOE attributes]**
- (b) **[In phase 6, Subject without the security attribute "role" set to "Personalizer" is allowed to modify the TOE attributes]**

Application note:

The IAS ECC Administration SFP applies in phase 6 & 7 of the life cycle

## **Key Management SFP**

FDP\_ACF.1.1/ Key Management SFP

The TSF shall enforce the **[Key Management SFP]** to objects based on **[Key Management group]**.

FDP\_ACF.1.2/ Key Management SFP

The TSF shall enforce the following rules to determine if an operation among controlled subjects and controlled objects is allowed:

- (a) **[In phase 7, the subject with the security attribute "role" set to "Administrator", "Signatory", "SCA", CGA", "IFD" or "SSCD type 1" and with the security attribute "Key import Management" set to "authorised".]**
- (b) **[In phase 6, the subject with the security attribute "role" set to "Personalizer" is allowed to import a AUTH\_KEYS, ESERVICES\_KEYS, TOE\_AUTH\_PRIVATE\_KEYS, and TOE\_AUTH\_PUBLIC\_KEYS.]**
- (c) **[In phase 7, the subject with the security attribute "role" set to "Administrator", "Signatory", "SCA", CGA", "IFD" or "SSCD type 1" and with the security attribute "Key generation Management" set to "authorised".]**
- (d) **[In phase 6, the subject with the security attribute "role" set to "Personalizer" is allowed to generate a ESERVICES\_KEYS (except Diffie Hellman Domain parameters), TOE\_AUTH\_PRIVATE\_KEYS/TOE\_AUTH\_PUBLIC\_KEYS.]**
- (e) **[In phase 7, the subject with the security attribute "role" set to "Administrator", "Signatory", "SCA", CGA", "IFD" or "SSCD type 1" and with the security attribute "Key export Management" set to "authorised".]**
- (f) **[In phase 6, the subject with the security attribute "role" set to "Personalizer" is allowed to export a public portion of an ESERVICES\_KEYS (including Diffie Hellman Domain parameters), and TOE\_AUTH\_PUBLIC\_KEYS.]**

Refinement note:

Depending on the use case considered, the list of subjects allowed to import, generate or export the keys may be reduced to several of them (Some may be excluded)

The role "Personalizer" implies that the security attributes are set to "authorized".

FDP ACF.1.3/ Key Management SFP

The TSF shall explicitly authorise access of subjects to objects based on the following additional rules:  
[none]

FDP ACF.1.4/ Key Management SFP

The TSF shall explicitly deny access of subjects to objects based on the following additional rules : [none]

Application note:

The Key Management SFP applies in phase 6 & 7 of the life cycle

The Key Management SFP enables as well to erase the RSA keys (public and private portion)

### ***Protection against eavesdropping SFP***

FDP ACF.1.1/ Protection against eavesdropping SFP

The TSF shall enforce the [***Protection against eavesdropping SFP***] to objects based on [***Protection against eavesdropping group***].

FDP ACF.1.2/ Protection against eavesdropping SFP

The TSF shall enforce the following rules to determine if an operation among controlled subjects and controlled objects is allowed:

***[In phase 7, the user with the security attribute "role" set to "IFD" and with the security attribute "data exchange in contactless allowed" set to "authorised" is allowed to import and export data]***

FDP ACF.1.3/ Protection against eavesdropping SFP

The TSF shall explicitly authorise access of subjects to objects based on the following additional rules:  
[none]

FDP ACF.1.4/ Protection against eavesdropping SFP

The TSF shall explicitly deny access of subjects to objects based on the following additional rules:

(a) ***[In phase 7, the user without the security attribute "role" set to "IFD" and with the security attribute "data exchange in contactless" set to "authorised" is not allowed to import and export data]***

(b) ***[In phase 7, the user with the security attribute "role" set to "IFD" and without the security attribute "data exchange in contactless" set to "not authorised" is not allowed to import and export data]***

Application note:

The Protection against eavesdropping SFP applies in phase 7 of the life cycle

### **FDP\_ETC : Export to outside TSF control**

#### ***SVD Transfer***

FDP ETC.1.1/ SVD transfer

The TSF shall enforce the [***SVD transfer SFP***] when exporting user data, controlled under the SFP(s), outside of the TOE.



FDP\_ETC.1.2/ SVD transfer

The TSF shall export the user data without the user data's associated security attributes.

Application note:

The Export of user data applies in phase 6 & 7 of the life cycle

### ***Keys Transfer***

FDP\_ETC.1.1/ Keys transfer

The TSF shall enforce the [**Key Management SFP**] when exporting user data, controlled under the SFP(s), outside of the TOE.

FDP\_ETC.1.2/ Keys transfer

The TSF shall export the user data without the user data's associated security attributes.

Application note:

The Export of user data applies in phase 6 & 7 of the life cycle

### ***Transfer protected against eavesdropping***

FDP\_ETC.1.1/ Transfer protected against eavesdropping

The TSF shall enforce the [**Protection against eavesdropping SFP**] when exporting user data, controlled under the SFP(s), outside of the TOE.

FDP\_ETC.1.2/ Transfer protected against eavesdropping

The TSF shall export the user data without the user data's associated security attributes.

Application note:

The Export of user data applies in phase 7 of the life cycle

## **FDP\_ITC Import from outside TSF control**

### **SCD Import**

FDP\_ITC.1.1/ SCD

The TSF shall enforce the [**SCD Import SFP**] when importing user data, controlled under the SFP, from outside of the TOE.

FDP\_ITC.1.2/ SCD

The TSF shall ignore any security attributes associated with the user data when imported from outside the TOE.

FDP\_ITC.1.3/ SCD

The TSF shall enforce the following rules when importing user data controlled under the SFP from outside the TOE: [**SCD shall be sent by an Authorised SSCD**].

Application note:

A SSCD of Type 1 is authorized to send SCD to a SSCD of Type 2, if it is designated to generate the SCD for this SSCD of Type 2 and to export the SCD for import into this SSCD of Type 2. Authorized SSCD of Type 1 is able to establish a trusted channel to the SSCD of Type 2 for SCD transfer as required by FTP\_ITC.1.3/SCD export.

In phase 6, an authorized SSCD is the one that received from **S.Personnalizer** the correct diversification data to correctly encrypt the SCD to transmit to the TOE.

## DTBS import

### FDP\_ITC.1.1/ DTBS

The TSF shall enforce the [**Signature-creation SFP**] when importing user data, controlled under the SFP, from outside of the TOE.

### FDP\_ITC.1.2/ DTBS

The TSF shall ignore any security attributes associated with the user data when imported from outside the TOE.

### FDP\_ITC.1.3/ DTBS

The TSF shall enforce the following rules when importing user data controlled under the SFP from outside the TOE: [**DTBS-representation shall be sent by an Authorised SCA**].

#### Application note:

A SCA is authorized to send the DTBS-representation if it is actually used by the Signatory to create an electronic signature and able to establish a trusted channel to the SSCD as required by FTP\_ITC.1.3/SCA DTBS.

## Keys import

### FDP\_ITC.1.1/ Keys

The TSF shall enforce the [**Key Management SFP**] when importing user data, controlled under the SFP, from outside of the TOE.

### FDP\_ITC.1.2/ Keys

The TSF shall ignore any security attributes associated with the user data when imported from outside the TOE.

### FDP\_ITC.1.3/ Keys

The TSF shall enforce the following rules when importing user data controlled under the SFP from outside the TOE: [**Keys belonging to AUTH\_KEYS or ESERVICES\_KEYS groups shall be sent by the administrator, the Personalizer, the SCA, the CGA, the IFD or the SSCD type 1**].

#### Application note:

These SFRs only applies for the import of user data envisioned by the Key Management SFP. Depending on the use case considered, a choice may be done between the administrator, the Personalizer, the SCA, the CGA, the IFD or the SSCD type 1...

## FDP\_RIP Residual information protection

#### FDP\_RIP.1.1

The TSF shall ensure that any previous information content of a resource is made unavailable upon the [**de-allocation of the resource from**] the following objects: [**SM\_DATA, AUTH\_CRYPTOGAM, AUTH\_KEYS, ESERVICES\_KEYS, EPHEMERAL\_KEYS, TOE\_AUTH\_PUBLIC\_KEYS, TOE\_AUTH\_PRIVATE\_KEYS, SCD, VAD, and RAD**].

## **FDP\_SDI Stored data integrity**

### ***Persistent data***

The following data persistently stored by TOE have the user data attribute "integrity checked persistent stored data"

- SCD
- RAD
- SVD
- AUTH\_KEYS
- ESERVICES\_KEYS

#### FDP\_SDI.2.1/ Persistent

The TSF shall monitor user data stored in containers controlled by the TSF for [**integrity error**] on all objects, based on the following attributes: [**integrity checked persistent stored data**].

#### FDP\_SDI.2.2/ Persistent

Upon detection of a data integrity error, the TSF shall:

1. **prohibit the use of the altered data**
2. **inform the Signatory about integrity error.**

### ***DTBS-representation***

The Protection Profiles [SSCD2] and [SSCD3] specify that the DTBS representation temporarily stored by TOE have the user data attribute "integrity checked stored data".

#### FDP\_SDI.2.1/ DTBS

The TSF shall monitor user data stored in containers controlled by the TSF for [**integrity error**] on all objects, based on the following attributes: [**integrity checked stored data**].

#### FDP\_SDI.2.2/ DTBS

Upon detection of a data integrity error, the TSF shall:

1. **prohibit the use of the altered data**
2. **inform the Signatory about integrity error.**

## **FDP\_UCT Inter-TSF user data confidentiality transfer protection**

### ***SCD Import***

#### FDP\_UCT.1.1/ Receiver

The TSF shall enforce the [**SCD Import SFP**] to [**receive**] user data in a manner protected from unauthorised disclosure.

Application note:

The TSF ensures protection of the SCD against unauthorized disclosure in phase 6 & 7 of the life cycle

***Protection against eavesdropping in contactless***

FDP\_UCT.1.1/ TOE Contactless

The TSF shall enforce the [***Protection against eavesdropping SFP***] to [***receive and transmit***] user data in a manner protected from unauthorised disclosure.

Application Note:

This SFRs only applies in phase 7, when the SSCD features are used in contactless.

**FDP\_UIT Inter-TSF user data integrity transfer protection**

***SVD transfer***

FDP\_UIT.1.1/ SVD transfer

The TSF shall enforce the [***SVD transfer SFP***] to [***transmit***] user data in a manner protected from [***modification and insertion***] errors.

Refinement

This SFR only applies in phase 7

FDP\_UIT.1.2/ SVD transfer

The TSF shall be able to determine on receipt of user data, whether [***modification and insertion***] has occurred.

***DTBS transfer***

FDP\_UIT.1.1/ TOE DTBS

The TSF shall enforce the [***Signature-creation SFP***] to [***receive***] user data in a manner protected from [***modification, deletion and insertion***] errors.

FDP\_UIT.1.2/ TOE DTBS

The TSF shall be able to determine on receipt of user data, whether [***modification, deletion and insertion***] has occurred.

***Protection against eavesdropping in contactless***

FDP\_UIT.1.1/ TOE Contactless

The TSF shall enforce the [***Protection against eavesdropping SFP***] to [***receive and transmit***] user data in a manner protected from [***modification, deletion and insertion***] errors.

FDP\_UIT.1.2/ TOE Contactless

The TSF shall be able to determine on receipt of user data, whether [***modification, deletion and insertion***] has occurred.

Application Note:

These SFRs only applies in phase 7, when the SSCD features are used in contactless

### 3.10.3. FIA: IDENTIFICATION AND AUTHENTICATION

#### FIA\_AFL Authentication failure

FIA\_AFL is specific to the RAD and the Authentication keys.

- RAD used by the Signatory
- RAD used by the Administrator.
- The Symmetric key(s) used by the Personalization Agent
- The Symmetric key(s) used by the TOE Administrator
- Symmetric external authentication keys used by the Administrator
- Symmetric device authentication keys used by the Administrator or a remote IT
- Asymmetric external authentication keys used by the Administrator
- Asymmetric device authentication keys used by the Administrator or a remote IT

##### FIA AFL.1.1/RAD

The TSF shall detect when [*an administrative configurable positive integer within 1 and 15*] unsuccessful authentication attempts occur related to [*consecutive failed authentication attempts*].

##### FIA AFL.1.2/RAD

When the defined number of unsuccessful authentication attempts has been [*met or surpassed*], the TSF shall [*block RAD*].

##### Application Note:

The Authentication Try Limit N, defined during personalisation, must verify  $1 \leq N \leq 15$ .

##### FIA AFL.1.1/ Authentication keys

The TSF shall detect when [*selection :[assignment: positive integer number], an administrator configurable positive integer within [assignment: range of acceptable values]*] unsuccessful authentication attempts occur related to [*consecutive failed authentication attempts*].

##### FIA AFL.1.2/ Authentication keys

When the defined number of unsuccessful authentication attempts has been [*met or surpassed*], the TSF shall [*assignment : list of actions*].

##### Refinements:

The Authentication or external entities (subjects or remote IT entities) may be performed with the D.AUTH\_KEYS or with D.EPHEMERAL\_KEYS. Depending on the cases, several cases may occur:

Type of TSF data	Entity to be authenticated	Selection for FIA_AFL.1.1 /Authentication keys	List of action
D.AUTH_KEYS	S.Personalizer	<i>Positive integer number '1'</i>	<i>Time of next authentication increases</i>
D.AUTH_KEYS	S.TOE_Admin	<i>Positive integer number '1'</i>	<i>Time of next authentication increases</i>
D.AUTH_KEYS	S.Admin (when using symmetric	<i>Administrator configurable positive</i>	<i>If N= '0', no actions are taken.</i>

	role authentication)	<i>integer 'N'</i> $0 \leq N \leq 15$	<i>If N != '0', the key is blocked</i>
D.AUTH_KEYS	S.Admin or Remote IT entity (when using symmetric device authentication)	<i>Administrator configurable positive integer 'N'</i> $0 \leq N \leq 15$	<i>If N= '0', no actions are taken. If N != '0', the key is blocked</i>
D.EPHEMERAL_KEYS	S.Admin (when using asymmetric role authentication)	<i>Positive integer number '1'</i>	<i>The key is deallocated with respect to FDP_RIP.1.1</i>
D.EPHEMERAL_KEYS	Administrator or Remote IT entity (when using asymmetric device authentication)	<i>Positive integer number '1'</i>	<i>The key is deallocated with respect to FDP_RIP.1.1</i>

It is important to note that the subject S.Admin may be the SCA, CGA, SSCD or IFD if they act as a subject.

## FIA\_ATD User attribute definition

### FIA ATD.1.1 / S.Signatory

The TSF shall maintain the following list of security attributes belonging to individual users [**RAD**]

### FIA ATD.1.1 / S.Admin

The TSF shall maintain the following list of security attributes belonging to individual users [**RAD**]

#### Application Note:

This is mandated if the User "Administrator" is authenticated by mean of a RAD.

### FIA ATD.1.1 / S.Admin, S.TOE\_Admin, S.Personalizer

The TSF shall maintain the following list of security attributes belonging to individual users [**AUTH\_KEYS and EPHEMERAL\_KEYS**]

#### Application Note:

Each subject is authenticated thanks to a dedicated authentication key and a dedicated authentication scheme. The key to use is a TSF data that is either permanently stored in the TOE (**AUTH\_KEYS**), or an ephemeral key extracted from a certificate (**EPHEMERAL\_KEYS**).

## FIA\_UAU User authentication

### FIA UAU.1.1

The TSF shall allow

[*Identification of the user by means of TSF required by FIA\_UID.1*]

[*Establishing a trusted channel between the TOE and a SSCD of type 1 by means of TSF required by FTP\_ITC.1/SCD import*]

[*Establishing a trusted path between local user and the TOE by means of TSF required by FTP\_TRP.1/TOE to transmit the VAD if the TOE is used in contact in phase 7*]

*[Establishing a trusted channel between an IFD and the TOE by means of TSF required by FTP\_ITC.1/ TOE Contactless to transmit the VAD if the TOE is used in contactless in phase 7]*  
*[Establishing a trusted channel between the SCA and the TOE by means of TSF required by FTP\_ITC.1/DTBS import in phase 7]*  
On behalf of the user to be performed before the user is authenticated.

#### FIA\_UAU.1.2

The TSF shall require each user to be successfully authenticated before allowing any other TSF-mediated actions on behalf of that user.

#### Application note:

"Local user" mentioned in component FIA\_UAU.1.1 is the user using the trusted path provided between the SCA in the TOE environment and the TOE as indicated by FTP\_TRP.1/SCA and FTP\_TRP.1/TOE.

This trusted path enables to authenticate the role Signatory and Administrator (if it is authenticated with a RAD).

## **FIA\_UID User Identification**

#### FIA\_UID.1.1

The TSF shall allow

*[Establishing a trusted channel between the TOE and a SSCD of type 1 by means of TSF required by FTP\_ITC.1/SCD import]*

*[Establishing a trusted path between local user and the TOE by means of TSF required by FTP\_TRP.1/TOE to transmit the VAD if the TOE is used in contact in phase 7]*

*[Establishing a trusted channel between an IFD and the TOE by means of TSF required by FTP\_ITC.1/ TOE Contactless to transmit the VAD if the TOE is used in contactless in phase 7]*

*[Establishing a trusted channel between the SCA and the TOE by means of TSF required by FTP\_ITC.1/DTBS import in phase 7]*

on behalf of the user to be performed before the user is identified.

#### FIA\_UID.1.2

The TSF shall require each user to be successfully identified before allowing any other TSF-mediated actions on behalf of that user.

### 3.10.4. FMT: SECURITY MANAGEMENT

## **FMT\_MOF Management of functions in TSF**

#### FMT\_MOF.1.1

The TSF shall restrict the ability to [**enable**] the functions [**signature-creation function**] to [**Signatory**].

## **FMT\_MSA Management of security attributes**

#### FMT\_MSA.1.1/ Administrator - Initialisation

The TSF shall enforce the [**Initialisation SFP**] to restrict the ability to [**modify**] the security attributes [**SCD/SVD management**] to [**Administrator and Personalizer**].

FMT\_MSA.1.1/ Administrator - Import

The TSF shall enforce the [**SCD Import SFP**] to restrict the ability to [**modify**] the security attributes [**SCD/SVD management and secure SCD import allowed**] to [**Administrator and Personalizer**].

FMT\_MSA.1.1/ Signatory

The TSF shall enforce the [**Signature-creation SFP**] to restrict the ability to [**modify**] the security attributes [**SCD operational**] to [**Signatory**].

FMT\_MSA.1.1/ Management of TOE

The TSF shall enforce the [**IAS ECC Administration SFP**] to restrict the ability to [**modify**] the security attributes [**Medium, HashOffCard, SymAuthMechanism and AsymAuthMechanism**] to [**TOE\_Administrator or Personalizer**].

FMT\_MSA.1.1/ Key Management

The TSF shall enforce the [**Key Management SFP**] to restrict the ability to [**modify**] the security attributes [**Key import management, Key generation management and Key export Management**] to [**User, SCA, CGA, SSCD, IFD**].

FMT\_MSA.1.1/ Protection against eavesdropping

The TSF shall enforce the [**Protection against eavesdropping SFP**] to restrict the ability to [**modify**] the security attributes [**data exchange in contactless**] to [**IFD**].

FMT\_MSA.2.1

The TSF shall ensure that only secure values are accepted for [**SCD/SVD management, SCD operational, Medium, HashOffCard, SymAuthMechanism, AsymAuthMechanism, Key import management, Key generation management and Key export Management, data exchange in contactless**].

FMT\_MSA.3.1

The TSF shall enforce the [**Initialisation SFP, Signature-creation SFP, SCD Import SFP, IAS ECC Administration SFP and Key Management SFP, Protection against eavesdropping SFP**] to provide [**restrictive**] default values for security attributes that are used to enforce the SFP.

Refinement:

The security attribute of the SCD "SCD operational" is set to "no" after generation or import of the SCD.

FMT\_MSA.3.2

The TSF shall allow the [**assignment : the authorised identified role**] to specify alternative initial values to override the default values when an object or information is created.

Refinement:

The following refinement applies:



Security attributes	Authorized identified role
SCD/SVD Management	Administrator Personalizer
SCD Operational	Administrator
Medium HashOffCard SymAuthMechanism AsymAuthMechanism	Personalizer TOE_Administrator
data exchange in contactless	IFD
Key import Management Key generation Management Key export Management	User, SCA, CGA, SSCD, IFD
Secure SCD import Allowed	SSCD
Sent by an authorized SCA	SCA
Role	User Personalizer

## FMT\_MTD Management of TSF data

### *Signatory*

#### FMT\_MTD.1.1/ Signatory

The TSF shall restrict the ability to [*modify*] the [*RAD*] to [*Signatory*].

#### Refinement:

This requirement applies only if the RAD is the one used for the Authentication of the Role Signatory

### *Association between SCD and SCD\_ID*

#### FMT\_MTD.1.1/ Association between SCD and SCD\_ID

The TSF shall restrict the ability to [*associate*] the [*SCD and a SCD\_ID*] to [*Administrator and Personalizer*].

#### Application note:

At creation, the SCD is given a SCD identifier that will be permanently associated to it.

### *Protection against traceability*

#### FMT\_MTD.1.1/ Disabling identification data retrieval

The TSF shall restrict the ability to [*to disable read access for users to*] the [*IDENTIFICATION\_DATA*] to [*Manufacturer*].

#### Application note:

The requirement is only needed in case the TOE is used in contactless mode. It ensures it is not possible to retrieve identification data such as CPLC data, TOE identifier, FCI of the Card Manager,

Rely on the SFRs provided by [ST\_TERPSICHORE] :

- FMT\_MOF.1/PP\_TOE enable to disable identification data retrieval
- FDP\_ACC.2/PP restricts the access to this feature to the Manufacturer

### ***TOE Serial number***

FMT\_MTD.1.1/ TOE Serial number

The TSF shall restrict the ability to [**set**] the [**TOE\_SerialNumber**] to [**Personalizer in phase 6**].

Application note:

The **Personalizer** only interacts with the TOE in phase 6

### ***TOE State***

FMT\_MTD.1.1/ TOE State

The TSF shall restrict the ability to [**modify**] the [**STATE**] to [**Personalizer in phase 6**].

Application note:

The **Personalizer** shall set D.STATE to “PERSONALIZED” at the end of phase 6 to switch the life cycle to phase 7.

### **FMT\_SMF Specification of Management Functions**

FMT\_SMF.1.1

The TSF shall be capable of performing the following management functions: [**SCD/SVD Generation, SCD import, RAD personalization, Signature creation, Management of the TOE, Key Management, Protection against eavesdropping**].

### **FMT\_SMR Security management roles**

FMT\_SMR.1.1

The TSF shall maintain the roles [**Administrator, TOE\_Administrator, SCA, CGA, SSCD, IFD, Personalizer and Signatory**].

FMT\_SMR.1.2

The TSF shall be able to associate users with roles.

Application note:

The **SCA, CGA, SSCD, and IFD** may be seen as subjects. As such, the TOE maintains their Role.

### **3.10.5. FPT: PROTECTION OF THE TSF**

#### **FPT\_EMSEC TOE Emanation**

FPT\_EMSEC.1.1

The TOE shall not emit [**Side channel emission**] in excess of [**limits specified by the state-of-the-art attacks on smart card IC**] enabling access to [**ESERVICES\_KEY, AUTH\_KEY,RAD and SCD**] and [**none**].

#### FPT\_EMSEC.1.2

The TSF shall ensure [**all users**] are unable to use the following interface [**external contacts emanations**] to gain access to [**ESERVICES\_KEY, AUTH\_KEY,RAD and SCD**] and [**none**].

### **FPT\_FLS Failure secure**

#### FPT\_FLS.1.1

The TSF shall preserve a secure state when the following types of failures occur: [  
**those associated to the potential security violations described in FAU\_ARP.1 of the underlying javacard open platform,**  
**the applet deletion manager fails to delete a package/applet,**  
**the object deletion functions fail to delete all the unreferenced objects owned by the applet that requested the execution of the method,**  
**1. Invalid reference exception; 2. Code or data integrity failure; 3. Power loss while processing. 4. worm on or dead EEPROM, full security area, false CRC**  
**For each problem the TOE sends a specific exception status or doesn't start,].**

### **FPT\_PHP TSF physical Protection**

#### FPT\_PHP.1.1

The TSF shall provide unambiguous detection of physical tampering that might compromise the TSF.

#### FPT\_PHP.1.2

The TSF shall provide the capability to determine whether physical tampering with the TSF's devices or TSF's elements has occurred.

#### FPT\_PHP.3.1

The TSF shall resist [**changing operational conditions every times: the frequency of the external clock, power supply, and temperature**] to the [**chip elements**] by responding automatically such that the SFRs are always enforced

### **FPT\_TST TSF self test**

#### FPT\_TST.1.1

The TSF shall run a suite of self-tests [**during initial start-up and periodically during normal operation**] to demonstrate the correct operation of [**the TSF**].

#### FPT\_TST.1.2

The TSF shall provide authorised users with the capability to verify the integrity of [**TSF data**].

#### FPT\_TST.1.3

The TSF shall provide authorised users with the capability to verify the integrity of [**TSF executable code**].

Application note:

Any loss of integrity will cause the TOE to be killed.

### 3.10.6. FTP: TRUSTED PATH/CHANNELS

#### **FTP\_ITC Inter-TSF trusted channel**

##### ***SCD Import***

###### FTP\_ITC.1.1/ SCD import

The TSF shall provide a communication channel between itself and another trusted IT product that is logically distinct from other communication channels and provides assured identification of its end points and protection of the channel data from modification or disclosure.

###### FTP\_ITC.1.2/ SCD import

The TSF shall permit [***another trusted IT product***] to initiate communication via the trusted channel.

###### FTP\_ITC.1.3/ SCD import

The TSF shall initiate communication via the trusted channel for [***SCD import***]

###### Refinement:

This requirement applies in phase 6 & 7.

##### ***SVD Transfer***

###### FTP\_ITC.1.1/ SVD transfer

The TSF shall provide a communication channel between itself and another trusted IT product that is logically distinct from other communication channels and provides assured identification of its end points and protection of the channel data from modification or disclosure.

###### FTP\_ITC.1.2/ SVD transfer

The TSF shall permit [***another trusted IT product***] to initiate communication via the trusted channel.

###### FTP\_ITC.1.3/ SVD transfer

The TSF shall initiate communication via the trusted channel for [***SVD transfer***]

###### Refinement:

The mentioned remote trusted IT product is a CGA in phase 7

###### Application note:

FTP\_ITC.1/SVD Transfer will be required only, if the TOE is to import the SVD from a SSCD Type1 so it will be exported to the CGA for certification.

##### ***DTBS Import***

###### FTP\_ITC.1.1/ DTBS import

The TSF shall provide a communication channel between itself and another trusted IT product that is logically distinct from other communication channels and provides assured identification of its end points and protection of the channel data from modification or disclosure.

FTP\_ITC.1.2/ DTBS import

The TSF shall permit [**another trusted IT product**] to initiate communication via the trusted channel.

FTP\_ITC.1.3 DTBS import

The TSF shall initiate communication via the trusted channel for [**signing DTBS-representation**]

Refinement:

The mentioned remote trusted IT product is a SCA.

This requirement applies in phase 7 only.

### ***Protection against traceability in contactless***

FTP\_ITC.1.1/ TOE Contactless

The TSF shall provide a communication channel between itself and another trusted IT product that is logically distinct from other communication channels and provides assured identification of its end points and protection of the channel data from modification or disclosure.

FTP\_ITC.1.2/ TOE Contactless

The TSF shall permit [**another trusted IT product**] to initiate communication via the trusted channel.

FTP\_ITC.1.3 TOE Contactless

The TSF shall initiate communication via the trusted channel for [**performing any operation that may disclose any information about the holder, such as identification or traceability**]

Refinement:

The mentioned remote trusted IT product is an interface device (IFD)

### **FTP\_TRP Trusted path**

FTP\_TRP.1.1/ TOE

The TSF shall provide a communication path between itself and [**local**] users that is logically distinct from other communication paths and provides assured identification of its end points and protection of the communicated data from [**modification or disclosure**].

FTP\_TRP.1.2/ TOE

The TSF shall permit [**local users**] to initiate communication via the trusted path.

FTP\_TRP.1.3/ TOE

The TSF shall require the use of the trusted path for [**initial user authentication**].

Application note:

The Trusted path is required to send the VAD to the TOE in order to identify & authenticate the **Signatory**, and the **Administrator (if it was authenticated with a RAD)**,

During phase 7, if the TOE is used in contactless mode, in order to protect the VAD against eavesdropping and prevent the traceability risks, the trusted path is removed and replaced by the trusted channel defined by:

- FTP\_ITC.1.1/ TOE Contactless (against traceability)
- FTP\_ITC.1.2/ TOE Contactless (against traceability)
- FTP\_ITC.1.3/ TOE Contactless (against traceability)
- FDP\_UCT.1.1/ TOE Contactless (against disclosure)
- FDP\_UIT.1.1/ TOE Contactless (against eavesdropping)
- FDP\_UIT.1.2/ TOE Contactless (against eavesdropping)

### 3.11. Security requirements for the IT environment

This section describes the IT security requirements that are to be met by the IT environment of the TOE. The IT environment of the TOE is composed of the Certification Generation Application (**CGA**) and the Signature Creation Application (**SCA**).

These requirements are as stated in [SSCD2] & [SSCD3].

#### 3.11.1. Signature key generation (SSCD Type1)

##### Cryptographic key generation (FCS\_CKM.1)

###### FCS CKM.1.1

The TSF shall generate cryptographic keys in accordance with a specified cryptographic key generation algorithm [**RSA key generation**] and specified cryptographic key sizes [**1024 bits or 1536 bits or 2048 bits**] that meet the [**ANSI X9.31**]

###### FCS CKM.1.1 / DES session keys

The TSF shall generate cryptographic keys in accordance with a specified cryptographic key generation algorithm [**DES key generation**] and specified cryptographic key sizes [**128 bits**] that meet the [**IASECC**]

##### Cryptographic key destruction (FCS\_CKM.4)

###### FCS\_CKM.4.1 / Type1

The TSF shall destroy cryptographic keys in accordance with a specified cryptographic key destruction method [**overwriting the buffer containing the key with zero**] that meets the following: [**assignment: list of standards**].

###### Application notes:

The cryptographic key SCD will be destroyed automatically after export.

###### FCS\_CKM.4.1 / DES Session keys

The TSF shall destroy cryptographic keys in accordance with a specified cryptographic key destruction method [**overwriting the buffer containing the key with zero**] that meets the following: [**assignment: list of standards**].

## Cryptographic operation (FCS\_COP.1)

### FCS\_COP.1.1/ CORRESP

The TSF shall perform [**SCD/SVD correspondence verification**] in accordance with a specified cryptographic algorithm [**assignment: cryptographic algorithm**] and cryptographic key sizes [**1024 bits, 1536 bits or 2048 bits**] that meet the following: [**assignment: list of standards**].

### FCS\_COP.1.1/ Diffie Hellman computation

The TSF shall perform [**Key Agreement**] in accordance with a specified cryptographic algorithm [**Diffie Hellmann**] and cryptographic key sizes [**1024 bits, 1536 bits or 2048 bits**] that meet the following: [**PKCS#3**].

### FCS\_COP.1.1/ Secure Messaging in Confidentiality

The TSF shall perform [**Secure Messaging in confidentiality**] in accordance with a specified cryptographic algorithm [**Retail MAC**] and cryptographic key sizes [**128 bits**] that meet the following: [**IASECC**].

Application Note: This algorithm is used during secure Messaging: in confidentiality of incoming and outgoing data

### FCS\_COP.1.1/ Secure Messaging in Integrity

The TSF shall perform [**Secure Messaging in integrity**] in accordance with a specified cryptographic algorithm [**Triple DES CBC encryption/decryption**] and cryptographic key sizes [**128 bits**] that meet the following: [**IASECC**].

Application Note: This algorithm is used during secure Messaging: in integrity of incoming and outgoing data

### FCS\_COP.1.1/ Data hashing

The TSF shall perform [**data hashing**] in accordance with a specified cryptographic algorithm [**SHA-1 and SHA-256**] and cryptographic key sizes [**none**] that meet the following: [**FIPS 140-2**].

### FCS\_COP.1.1/ Certificate computation

The TSF shall perform [**Certificate computation**] in accordance with a specified cryptographic algorithm [**RSA with ISO9796-2 padding with partial recovery and with SHA-1 or SHA-256**] and cryptographic key sizes [**1024 bits, 1536 bits or 2048 bits**] that meet the following: [**IASECC**].

### FCS\_COP.1.1/ Asymmetric Internal DAPP Authentication

The TSF shall perform [**Asymmetric Internal DAPP Authentication**] in accordance with a specified cryptographic algorithm [**RSA with ISO9796-2 padding with partial recovery and with SHA-1 or SHA-256**] and cryptographic key sizes [**1024 bits, 1536 bits or 2048 bits**] that meet the following: [**IASECC**].

FCS\_COP.1.1/ Asymmetric External DAPP Authentication

The TSF shall perform [**Asymmetric External DAPP Authentication**] in accordance with a specified cryptographic algorithm [**RSA with ISO9796-2 padding with partial recovery and with SHA-1 or SHA-256**] and cryptographic key sizes [**1024 bits, 1536 bits or 2048 bits**] that meet the following: [**IASECC**].

FCS\_COP.1.1/ GP secret data encryption

The TSF shall perform [**GP secret data encryption**] in accordance with a specified cryptographic algorithm [**assignment: cryptographic algorithm**] and cryptographic key sizes [**128 bits**] that meet the following: [**assignment: list of standards**].

Refinement:

<i>cryptographic algorithm</i>	<i>list of standards</i>
<b>Triple DES</b>	<b>SCP1 and SCP02 as defined in [GP]</b>

Application Note:

The type of algorithm used by the TOE depends on the configuration set during the javacard open platform personalisation (For more details see [AGD\_PRE\_TERPSICHORE]). The algorithm selection is performed by the subject R.Prepersonalizer and is covered by FMT\_MTD.1/JCRE

## Random Number Generation (FCS\_RNG)

FCS\_RNG.1 / Random Number Generation

FCS\_RNG.1.1

The TSF shall provide a [**hybrid**] random number generator that implements: [**none**].

FCS\_RNG.1.2

The TSF shall provide random numbers that meet [**assignment: list of standards**].

## Subset access control (FDP\_ACC.1)

FDP\_ACC.1.1/ SCD Export SFP

The TSF shall enforce the [**SCD Export SFP**] on [**export of SCD by Administrator**].

## Basic data exchange confidentiality (FDP\_UCT.1)

FDP\_UCT.1.1/ Sender

The TSF shall enforce the [**SCD Export SFP**] to [**transmit**] user data in a manner protected from unauthorised disclosure.

## Inter-TSF trusted channel (FTP\_ITC.1)

FTP\_ITC.1.1/ SCD Export



The TSF shall provide a communication channel between itself and another trusted IT product that is logically distinct from other communication channels and provides assured identification of its end points and protection of the channel data from modification or disclosure.

FTP\_ITC.1.2/ SCD Export

The TSF shall permit [**the TSF**] to initiate communication via the trusted channel.

FTP\_ITC.1.3/ SCD Export

The TSF shall initiate communication via the trusted channel for [**SCD export**]

Refinement:

The mentioned remote trusted IT product is a SSCD Type2

Application note:

If the TOE exports the SVD to a SSCD Type2 and the SSCD Type 2 holds the SVD then the trusted channel between the TOE and the SSCD type 2 will be required.

### 3.11.2. Certification generation application (CGA)

#### **Cryptographic key generation (FCS\_CKM.1)**

FCS\_CKM.1.1 / DES session keys

The TSF shall generate cryptographic keys in accordance with a specified cryptographic key generation algorithm [**DES key generation**] and specified cryptographic key sizes [**128 bits**] that meet the [**IASECC**]

#### **Cryptographic key distribution (FCS\_CKM.2)**

FCS\_CKM.2.1/ CGA

The TSF shall distribute cryptographic keys in accordance with a specified cryptographic key distribution method [**qualified certificates**] that meets the following: [**assignment: list of standards**].

#### **Cryptographic key access (FCS\_CKM.3)**

FCS\_CKM.3.1/ CGA

The TSF shall perform [**import the SVD**] in accordance with a specified cryptographic key access method [**import through a secure channel**] that meets the following: [**IASECC**].

#### **Cryptographic key destruction (FCS\_CKM.4)**

FCS\_CKM.4.1 / DES Session keys

The TSF shall destroy cryptographic keys in accordance with a specified cryptographic key destruction method [**overwriting the buffer containing the key with zero**] that meets the following: [**assignment: list of standards**].

## Cryptographic operation (FCS\_COP.1)

### FCS\_COP.1.1/ Diffie Hellman computation

The TSF shall perform [**Key Agreement**] in accordance with a specified cryptographic algorithm [**Diffie Hellmann**] and cryptographic key sizes [**1024 bits, 1536 bits or 2048 bits**] that meet the following: [**PKCS#3**].

### FCS\_COP.1.1/ Secure Messaging in Confidentiality

The TSF shall perform [**Secure Messaging in confidentiality**] in accordance with a specified cryptographic algorithm [**Retail MAC**] and cryptographic key sizes [**128 bits**] that meet the following: [**IASECC**].

Application Note: This algorithm is used during secure Messaging: in confidentiality of incoming and outgoing data

### FCS\_COP.1.1/ Secure Messaging in Integrity

The TSF shall perform [**Secure Messaging in integrity**] in accordance with a specified cryptographic algorithm [**Triple DES CBC encryption/decryption**] and cryptographic key sizes [**128 bits**] that meet the following: [**IASECC**].

Application Note: This algorithm is used during secure Messaging: in integrity of incoming and outgoing data

### FCS\_COP.1.1/ Data hashing

The TSF shall perform [**data hashing**] in accordance with a specified cryptographic algorithm [**SHA-1 and SHA-256**] and cryptographic key sizes [**none**] that meet the following: [**FIPS 140-2**].

### FCS\_COP.1.1/ Certificate computation

The TSF shall perform [**Certificate computation**] in accordance with a specified cryptographic algorithm [**RSA with ISO9796-2 padding with partial recovery and with SHA-1 or SHA-256**] and cryptographic key sizes [**1024 bits, 1536 bits or 2048 bits**] that meet the following: [**IASECC**].

### FCS\_COP.1.1/ Asymmetric Internal DAPP Authentication

The TSF shall perform [**Asymmetric Internal DAPP Authentication**] in accordance with a specified cryptographic algorithm [**RSA with ISO9796-2 padding with partial recovery and with SHA-1 or SHA-256**] and cryptographic key sizes [**1024 bits, 1536 bits or 2048 bits**] that meet the following: [**IASECC**].

### FCS\_COP.1.1/ Asymmetric External DAPP Authentication

The TSF shall perform [**Asymmetric External DAPP Authentication**] in accordance with a specified cryptographic algorithm [**RSA with ISO9796-2 padding with partial recovery and with SHA-1 or SHA-256**] and cryptographic key sizes [**1024 bits, 1536 bits or 2048 bits**] that meet the following: [**IASECC**].

## Random Number Generation (FCS\_RNG)

### FCS\_RNG.1 / Random Number Generation

#### FCS\_RNG.1.1

The TSF shall provide a [**hybrid**] random number generator that implements: [**none**].

#### FCS\_RNG.1.2

The TSF shall provide random numbers that meet [**assignment: list of standards**].

## Data exchange integrity (FDP\_UIT.1)

### FDP\_UIT.1.1/ SVD Import

The TSF shall enforce the [**SVD import SFP**] to [**receive**] user data in a manner protected from [**modification and insertion**] errors.

### FDP\_UIT.1.2/ SVD Import

The TSF shall be able to determine on receipt of user data, whether [**modification and insertion**] has occurred.

## Inter-TSF trusted channel (FTP\_ITC.1)

### FTP\_ITC.1.1/ SVD Import

The TSF shall provide a communication channel between itself and another trusted IT product that is logically distinct from other communication channels and provides assured identification of its end points and protection of the channel data from modification or disclosure.

### FTP\_ITC.1.2/ SVD Import

The TSF shall permit [**the TSF**] to initiate communication via the trusted channel.

### FTP\_ITC.1.3/ SVD Import

The TSF shall initiate communication via the trusted channel for [**SVD import**]

### 3.11.3. Signature creation application (SCA)

## Cryptographic key generation (FCS\_CKM.1)

### FCS\_CKM.1.1 / DES session keys

The TSF shall generate cryptographic keys in accordance with a specified cryptographic key generation algorithm [**DES key generation**] and specified cryptographic key sizes [**128 bits**] that meet the [**IASECC**]

## Cryptographic key destruction (FCS\_CKM.4)

### FCS\_CKM.4.1 / DES Session keys

The TSF shall destroy cryptographic keys in accordance with a specified cryptographic key destruction method [**overwriting the buffer containing the key with zero**] that meets the following: [**assignment: list of standards**].

## Cryptographic operation (FCS\_COP.1)

### FCS COP.1.1/ SCA Hash

The TSF shall perform [**hashing the DTBS**] in accordance with a specified cryptographic algorithm [**SHA-1 and SHA-256**] and cryptographic key sizes [**none**] that meet the following: [**FIPS 140-2**].

### FCS COP.1.1/ Diffie Hellman computation

The TSF shall perform [**Key Agreement**] in accordance with a specified cryptographic algorithm [**Diffie Hellmann**] and cryptographic key sizes [**1024 bits, 1536 bits or 2048 bits**] that meet the following: [**PKCS#3**].

### FCS COP.1.1/ Secure Messaging in Confidentiality

The TSF shall perform [**Secure Messaging in confidentiality**] in accordance with a specified cryptographic algorithm [**Retail MAC**] and cryptographic key sizes [**128 bits**] that meet the following: [**IASECC**].

Application Note: This algorithm is used during secure Messaging: in confidentiality of incoming and outgoing data

### FCS COP.1.1/ Secure Messaging in Integrity

The TSF shall perform [**Secure Messaging in integrity**] in accordance with a specified cryptographic algorithm [**Triple DES CBC encryption/decryption**] and cryptographic key sizes [**128 bits**] that meet the following: [**IASECC**].

Application Note: This algorithm is used during secure Messaging: in integrity of incoming and outgoing data

### FCS COP.1.1/ Certificate computation

The TSF shall perform [**Certificate computation**] in accordance with a specified cryptographic algorithm [**RSA with ISO9796-2 padding with partial recovery and with SHA-1 or SHA-256**] and cryptographic key sizes [**1024 bits, 1536 bits or 2048 bits**] that meet the following: [**IASECC**].

### FCS COP.1.1/ Asymmetric Internal DAPP Authentication

The TSF shall perform [**Asymmetric Internal DAPP Authentication**] in accordance with a specified cryptographic algorithm [**RSA with ISO9796-2 padding with partial recovery and with SHA-1 or SHA-256**] and cryptographic key sizes [**1024 bits, 1536 bits or 2048 bits**] that meet the following: [**IASECC**].

### FCS COP.1.1/ Asymmetric External DAPP Authentication

The TSF shall perform [**Asymmetric External DAPP Authentication**] in accordance with a specified cryptographic algorithm [**RSA with ISO9796-2 padding with partial recovery and with SHA-1 or SHA-256**] and cryptographic key sizes [**1024 bits, 1536 bits or 2048 bits**] that meet the following: [**IASECC**].

## Random Number Generation (FCS\_RNG)

### FCS\_RNG.1 / Random Number Generation

#### FCS\_RNG.1.1

The TSF shall provide a [**hybrid**] random number generator that implements: [**none**].

#### FCS\_RNG.1.2

The TSF shall provide random numbers that meet [**assignment: list of standards**].

## Data exchange integrity (FDP\_UIT.1)

### FDP\_UIT.1.1/ SCA DTBS

The TSF shall enforce the [**Signature-creation SFP**] to [**transmit**] user data in a manner protected from [**modification, deletion and insertion**] errors.

### FDP\_UIT.1.2/ SCA DTBS

The TSF shall be able to determine on receipt of user data, whether [**modification, deletion and insertion**] has occurred.

## Inter-TSF trusted channel (FTP\_ITC.1)

### FTP\_ITC.1.1/ SCA DTBS

The TSF shall provide a communication channel between itself and another trusted IT product that is logically distinct from other communication channels and provides assured identification of its end points and protection of the channel data from modification or disclosure.

### FTP\_ITC.1.2/ SCA DTBS

The TSF shall permit [**the TSF**] to initiate communication via the trusted channel.

### FTP\_ITC.1.3/ SCA DTBS

The TSF shall initiate communication via the trusted channel for [**signing DTBS-representation by means of the SSCD**].

## Trusted path (FTP\_TRP.1)

The trusted path between the TOE and the SCA will be required only if the human interface for user authentication is not provided by the TOE itself but by the SCA.

### FTP\_TRP.1.1/ SCA

The TSF shall provide a communication path between itself and [**local**] users that is logically distinct from other communication paths and provides assured identification of its end points and protection of the communicated data from [**modification or disclosure**].

### FTP\_TRP.1.2/ SCA

The TSF shall permit [**the TSF or local users**] to initiate communication via the trusted path.

FTP\_TRP.1.3/ SCA

The TSF shall require the use of the trusted path for [**initial user authentication**].

### 3.11.4. Interface Device (IFD)

#### **Cryptographic key generation (FCS\_CKM.1)**

FCS\_CKM.1.1 / Authentication keys

The TSF shall generate cryptographic keys in accordance with a specified cryptographic key generation algorithm [**RSA key generation**] and specified cryptographic key sizes [**1024 bits or 1536 bits or 2048 bits**] that meet the [**ANSI X9.31**]

### 3.12. Security requirements for the Administrator

This section describes the Administrator security requirements that are to be met when they use cryptographic mean to authenticate themselves.

#### **Cryptographic operation (FCS\_COP.1)**

FCS\_COP.1.1/ Data hashing

The TSF shall perform [**data hashing**] in accordance with a specified cryptographic algorithm [**SHA-1 and SHA-256**] and cryptographic key sizes [**none**] that meet the following: [**FIPS 140-2**].

FCS\_COP.1.1/ Symmetric Role Authentication

The TSF shall perform [**Symmetric Role Authentication**] in accordance with a specified cryptographic algorithm [**based on Triple DES**] and cryptographic key sizes [**128 bits**] that meet the following: [**IASECC**].

FCS\_COP.1.1/ Certificate computation

The TSF shall perform [**Certificate computation**] in accordance with a specified cryptographic algorithm [**RSA with ISO9796-2 padding with partial recovery and with SHA-1 or SHA-256**] and cryptographic key sizes [**1024 bits, 1536 bits or 2048 bits**] that meet the following: [**IASECC**].

FCS\_COP.1.1/ Asymmetric Role Authentication

The TSF shall perform [**Asymmetric Role Authentication**] in accordance with a specified cryptographic algorithm [**RSA with ISO9796-2 padding with partial recovery and with SHA-1 or SHA-256**] and cryptographic key sizes [**1024 bits, 1536 bits or 2048 bits**] that meet the following: [**IASECC**].

### 3.13. Security requirements for the Personalizer and TOE\_Administrator

This section describes the Personalizer and TOE\_Administrator security requirements that are to be met as they use cryptographic mean to authenticate themselves.

#### Cryptographic operation (FCS\_COP.1)

##### FCS\_COP.1.1/ GP Authentication

The TSF shall perform [**GP Authentication**] in accordance with a specified cryptographic algorithm [**assignment: cryptographic algorithm**] and cryptographic key sizes [**128 bits**] that meet the following: [**assignment: list of standards**].

##### Refinement:

<i>cryptographic algorithm</i>	<i>list of standards</i>
<b>Triple DES</b>	<b>SCP1 and SCP02 as defined in [GP]</b>

##### Application Note:

The type of algorithm used by the TOE depends on the configuration set during the platform personalisation (For more details see [AGD\_PRE\_TERPSICHORE]). The algorithm selection is performed by the subject R.Prepersonalizer and is covered by FMT\_MTD.1/JCRE

### 3.14. Security requirements for the non-IT environment

#### 3.14.1. Standard security requirements

##### **R.Administrator\_Guide** *Application of Administrator Guidance*

The implementation of the requirements of the Directive, ANNEX II "Requirements for certification service-providers issuing qualified certificates", literal (e), stipulates employees of the CSP or other relevant entities to follow the administrator guidance provided for the TOE. Appropriate supervision of the CSP or other relevant entities shall ensure the ongoing compliance.

##### **R.Sigy\_Guide** *Application of User Guidance*

The SCP implementation of the requirements of the Directive, ANNEX II "Requirements for certification service-providers issuing qualified certificates", literal (k), stipulates the signatory to follow the user guidance provided for the TOE.

##### **R.Sigy\_Name** *Signatory's name in the Qualified Certificate*

The CSP shall verify the identity of the person to which a qualified certificate is issued according to the Directive [1], ANNEX II "Requirements for certification-service-providers issuing qualified certificates", literal (d). The CSP shall verify that this person holds the SSCD, which implements the SCD corresponding to the SVD to be included

### 3.14.2. Complementary security requirements

**R.Keys\_Protection** *Protection of the authentication keys and TOE's public authentication keys during transfer*

The environment shall ensure the protection of authentication keys when transferred to the TOE in order to protect it from disclosure and ensure they are not modified nor altered. The TOE's public authentication key shall be protected against modification when exported from the TOE to the outside when an authentication certificate request is made.

**R.Contactless\_Personalization** *Specific rules when used in contactless*

When the TOE is used in contactless, the entity in charge of issuing the TOE (the Personalizer) shall ensure the security policy applied to protect the identification data (stored in the TOE) is restrictive. The TOE shall either refuse the access, or mandate the authentication of the outside. When exchanged, the data shall be protected in confidentiality and authenticate the sender.

Furthermore, if another applet is loaded on the javacard open platform, the entity in charge of issuing the TOE shall make sure the applet does not endanger the privacy of the TOE by enabling it to be tracked. It shall either control the applet behaviour, either ban it.

This requirement applies to

- The manufacturer, if the applet is loaded in phase 5
- The personaliser, if the applet is loaded in phase 6 while DAP is not activated
- The DAP\_Admin, if the applet is loaded while DAP control is activated

**R.LinkBetweenSCDandCertificate** *Link between the SCD(s) stored in the TOE and qualified certificates*

The environment shall ensure at any time a valid link between the SCD(s) stored in the TOE and the matching (qualified) certificates. Each time the SCD is modified (by import or generation), an unambiguous link between the SCD(s) and the matching (qualified) certificate(s) shall be maintained. This link might be figured out by a PKCS#15 structures, an XML structure, an identifier .linking a SCD to the file containing the qualified certificate or the URL hosting them. In particular, it implies it is updated, each time the SCD is created, imported, erased or generated.

**R.TOE\_Construction** *Construction of the TOE*

The Construction of the TOE shall be done by the Personalization Agent who acts in phase 6 of the TOE life Cycle. The Personalization Agent shall be a trusted person and shall apply the recommendations indicated in [AGD\_PRE].

## 4. TOE summary specification

### 4.1. Security function of the TOE

#### 4.1.1. Security functions provided by the javacard open platform

All the security functions provided by the javacard open platform are described in [ST\_TERPSICHORE]



They are listed in the following table.

Security function	Description
SF_Firewall	Firewall Security policy
SF_Card_Content_Management	Control of loading, deletion and installation of applet and packages
SF_Card_Management_Environment	Initialization and management of internal data structure of the Card Manager
SF_Signature	Generation/Verification of signature
SF_Encryption_and_Decryption	Encryption/Decryption of Data
SF_Message_Digest_Generation	Message Digest computation
SF_Random_Number_Generation	Random number generation
SF_Key_Destruction	Destruction of keys
SF_data_integrity	Integrity of keys, PIN, packages, ...
SF_Clearing_of_Sensitive_Information	Clearing of sensitive data when not used anymore
SF_Atomic_Transactions	Execution of atomic operations
SF_Key_Generation	Generation of Asymmetric keys
SF_Key_Distribution	Distribution of keys
SF_Cardholder_Verification	Authentication of the cardholder with PIN
SF_Hardware_Operating	Hardware self tests at start up or before first use
SF_Memory_failure	Management of non volatile memory
SF_Data_Coherency	Transaction mechanism
SF_Exception	Management of abnormal execution
SF_DAP_Verification	DAP verification for applet loading
SF_TOKEN	Validity of card content management
SF_Manufacturer_Authentication	Authentication of the manufacturer agent
SF_Resident_Application_Dispatcher	Control of security level when communicating with resident application
SF_Entity_Authentication/Secure_Channel	GP Secure Channel management
SF_GP_Dispatcher	Control of security level when communicating with the Card manager
SF_KEY_MANAGEMENT	Management of the keys of the Card Manager
SF_Security_Functions_of_the_IC	Security function of the IC
SF_Unobservability	Unobservability of secure element processing
SF_Prepersonalization	Prepersonalization of the TOE
SF_Key_Access	Secure Access to keys and PINs
SF_Key_Agreement	Key agreement

#### 4.1.2. Security functions added by the composite TOE

The TOE provides the following security functions on top of the one provided by the underlying javacard open platform.

Security function	Description
SF.PIN_MGT	PIN Management
SF.SIG	Signature Computation
SF.DEV_AUTH	Device Authentication
SF.ADM_AUTH	Administrator Authentication
SF.SM	Secure messaging
SF.KEY_MGT	Key Management
SF.CONF	Configuration of TOE
SF.ESERVICE	Execution of eServices
SF.EAVESDROPPING_PROTECTION	Protection of communication against eavesdropping (when the TOE is used in contactless)
SF.SAFESTATE_MGT	Safe State Management
SF.PHYS	Physical protection

### SF.PIN\_MGT

This security function is involved in the PIN (RAD) management. In particular, it provides access control over the creation, update, reset and verification of the PIN, depending on the subject and the life cycle state.

In phase 6, this security function only allows the RAD(s) to be created and its value to be loaded in an encrypted way by the Personalizer Agent. It can not be checked.

In phase 7, this security function enables to create the RAD, to verify, unblock and change the RAD according to the security policies set at RAD creation

This security function enables to authenticate the subject Signatory and Administrator (if it is authenticated with a RAD). It manages as well an error counter for each RAD, ensuring protection against brute force attacks.

This security function ensures the deallocation of the RAD when it is updated and of the VAD when it is sent to the TOE for checking

This security function enables the RAD management either directly through the IAS ECC applet with APDU command, or through shared interfaces. The shared interfaces enable, other applets loaded on the javacard open platform to use the services provided by the security function.

However, in any case, whether shared interfaces or APDU commands are used, the same security policy is applied to access RAD management features.

#### **SF.SIG**

This security function manages the signature computation.

In phase 6, it ensures the Personalizer Agent can not sign on behalf of the Signatory

In phase 7, it enforces the correct security policy for the DTBS import and for the signature computation, depending on the subjects

It performs the signature computation and ensures the SCD and SVD correspond.

#### **SF.DEV\_AUTH**

This security function manage the (mutual) device authentication between the TOE and a remote IT. It is only active in phase 7.

It enables the TOE to establish a trusted channel with remote IT entities such as the SCA, the CGA, the SSCD type 1 and the IFD. The device authentication may be either realized with symmetric or asymmetric scheme.

This security function ensures the mutual authentication of both entities (TOE and remote IT entity). Upon successful authentication, it computes a shared secret (called the seed) used by SF.SM to generate the session key to ensure the protection in integrity and confidentiality of the data exchanged. This seed is computed from random numbers partly generated by the TOE, partly generated by the remote IT.

This security function manages as well an error counter for each key used for the authentication of the remote IT entity.

This security function ensures the deallocation of

- the authentication cryptogram received once processed
- in case the asymmetric scheme is used, it ensures as well the deallocation of the ephemeral public keys extracted form the certificates processed by the TOE after use

#### **SF.ADM\_AUTH**

This security function enables the TOE to authenticate external entities. It is active in phase 6 and 7.

In phase 6, it enables the TOE to authenticate the Personalization Agent and in phase 7, it enables to authenticate the TOE\_Administrator, and the Administrator.

The authentication of the Administrator may be either realized with symmetric or asymmetric scheme.

This security function manages as well an error counter for each key used for the authentication of the external entity.

This security function ensures the deallocation of

- the authentication cryptogram received once processed
- in case the asymmetric scheme is used, it ensures as well the deallocation of the ephemeral public keys extracted from the certificates processed by the TOE after use

#### SF.SM

This security function applies only in phase 7. It ensures the protection of communication between the TOE and Remote IT entities.

This security function requires the TOE and the entity between which a trusted channel shall be established to be authenticated with SF.DEV\_AUTH.

This security function ensures the following properties:

- The TOE can detect any **modification or deletion** when receiving data
- The incoming data are protected against **disclosure**
- The TOE can return data in a manner protected from **modification and deletion**
- The TOE can return data in a manner protected against **disclosure**
- Upon reception of the data, the recipient can check the **data were issued by the expected sender** (authenticated by SF.DEV\_AUTH).

The integrity and confidentiality of data exchanged are ensured by cryptographic means: data are encrypted and their integrity is ensured by a MAC computed with session keys.

This security function builds session keys from the seed computed by SF.DEV\_AUTH. These session keys are ephemeral and unique as the seed is computed from random

numbers generated by the TOE and the external entity. In order to ensure a protection against replay attacks, the MAC is computed from an ICV which is generated randomly by the TOE and by the external entity once the device authentication is successful.

When the secure messaging session is closed or when an error is detected by the TOE, the session keys and the ICV are erased.

#### SF.KEY\_MGT

This security function applies in phase 6 & 7. It provides the mean to

- Create any kind of keys and the DH parameters
- generate asymmetric key pairs (used for signature computation or TOE authentication)
- update the keys (symmetric key used for authentication of external entity, SCD/SVD, eServices keys, asymmetric keys for TOE's authentication) and the DH Domain parameters
- export the SVD and the TOE's authentication public key

It provides access control over these operations and means to set at creation the relevant security policy to apply for the key use.

In particular, in case of SCD/SVD key pair update (by import or generation), this security function ensures the "SCD operational" state is reset.

When a key value is updated (by import or generation), the former key value is destroyed.

#### SF.CONF

This security function applies in phase 6 & 7. It manages the initialization of TSF data and administration features of the TOE.

It provides access control on the modification of the following TOE attributes:

- Communication medium : contact and/or contactless
- Type of cryptography to be used for the remote IT entities and remote subject authentication (symmetric or asymmetric)
- Type of DTBS to be used: the DTBS representation fully computed outside the TOE may be used.

Only the Personalization Agent can modify them in phase 6, and the TOE\_Administrator in phase 7.

It restricts the initialization of the following TSF data to the Personalization Agent/Manufacturing Agent only:

- TOE serial number – shall be initialized in phase 6 by the **Personalization Agent**
- identification data of the TOE – Retrieval can be locked in phase 5 by the **Manufacturing or Personalization Agent**
- TOE State – it shall be set at the end of phase 6 to PERSONNALIZED by the **Personalization Agent**

#### SF.ESERVICE

This security function applies in phase 7. It enables to perform eservices such as

- C/S authentication
- Decryption key decipherment
- Certificate verification

#### SF.EAVESDROPPING\_PROTECTION

This security function applies in phase 7. It enables to ensure protection of sensitive data against eavesdropping when the TOE is used in contactless.

This security function requires **P.SecurityPolicy\_Contactless** to be applied.

It enforces the keys, the PIN (RAD and VAD) as well as the identification data to be transferred through a trusted channel established with an interface device.

#### SF.SAFESTATE\_MGT

This security function applies in phase 6 & 7. It performs the following operations:

- Monitoring the integrity of the TOE and the TSF data by performing selftests
- Ensuring the TOE returns in a safe state when an unexpected event occurs (loss of power, tearing,...): all sensitive data are erased and the TOE returns in a restrictive and secure state.

In case a major error is detected, the security function destroys the TOE.

#### SF.PHYS

This security function applies in phase 6 & 7. It ensures

- the TOE detects physical manipulation (I/O manipulation, EM perturbation, temperature perturbation,...) and takes countermeasures.
- The TOE is protected against probing and that there is no information leakage that may be used to reconstruct sensitive data

In case a major error is detected, the security function destroys the TOE.

#### 4.1.3. Composition with the Security functions provided of the javacard Open platform

The following table shows how the security functions of the Composite TOE are supported by the security functions of the underlying javacard open platform:

Security function	Depends on
SF.PIN_MGT	SF_Cardholder_Verification SF_Clearing_of_Sensitive_Information
SF.SIG	SF_Key_Access SF_Clearing_of_Sensitive_Information SF_Message_Digest_Generation SF_Encryption_and_Decryption
SF.DEV_AUTH	SF_Key_Access SF_Clearing_of_Sensitive_Information SF_Key_Destruction SF_Random_Number_Generation SF_Message_Digest_Generation SF_Encryption_and_Decryption SF_Signature
SF.ADM_AUTH	SF_Key_Access SF_KEY_MANAGEMENT SF_Entity_Authentication/Secure_Channel SF_Clearing_of_Sensitive_Information SF_Key_Destruction SF_Random_Number_Generation SF_Message_Digest_Generation SF_Encryption_and_Decryption SF_Signature
SF.SM	SF_Key_Access SF_Clearing_of_Sensitive_Information SF_Key_Destruction SF_Random_Number_Generation SF_Encryption_and_Decryption SF_Signature
SF.KEY_MGT	SF_Key_Access SF_Key_Generation SF_Clearing_of_Sensitive_Information SF_Key_Destruction
SF.CONF	N/A
SF.ESERVICE	SF_Key_Access

	SF_Message_Digest_Generation SF_Encryption_and_Decryption SF_Signature
SF.EAVESDROPPING_PROTECTION	SF_Prepersonalization SF_Resident_Application_Dispatcher SF_Manufacturer_Authentication
SF.SAFESTATE_MGT	SF_Exception SF_Data_Coherency SF_Memory_failure SF_Hardware_Operating SF_Atomic_Transactions SF_data_integrity SF_Random_Number_Generation SF_Signature
SF.PHYS	SF_Unobservability SF_Security_Functions_of_the IC

#### 4.1.4. Dependencies of the Security functions

This section shows that the security functions are complete and internally consistent by showing that they are mutually supportive and provide an 'integrated effective whole' also with the javacard open platform, on which it is built

Number	Security function	Supported by	Number
1	SF.PIN_MGT	SF_Cardholder_Verification SF_Clearing_of_Sensitive_Information SF.PHYS SF.SAFESTATE_MGT SF.EAVESDROPPING_PROTECTION	#25 #21 #11 #10 #9
2	SF.SIG	SF_Key_Access SF_Clearing_of_Sensitive_Information SF_Message_Digest_Generation SF_Encryption_and_Decryption SF.PHYS SF.SAFESTATE_MGT SF.EAVESDROPPING_PROTECTION SF.CONF SF.KEY_MGT SF.SM	#40 #21 #17 #16 #11 #10 #9 #7 #6 #5
3	SF.DEV_AUTH	SF_Key_Access SF_Clearing_of_Sensitive_Information SF_Key_Destruction SF_Random_Number_Generation SF_Message_Digest_Generation SF_Encryption_and_Decryption SF_Signature SF.SAFESTATE_MGT SF.PHYS SF.CONF SF.KEY_MGT	#40 #21 #19 #18 #17 #16 #15 #11 #10 #7 #6



4	SF.ADM_AUTH	SF_Key_Access SF_KEY_MANAGEMENT SF_Entity_Authentication/Secure_Channel SF_Clearing_of_Sensitive_Information SF_Key_Destruction SF_Random_Number_Generation SF_Message_Digest_Generation SF_Encryption_and_Decryption SF_Signature SF.PHYS SF.SAFESTATE_MGT SF.CONF SF.KEY_MGT	#40 #36 #34 #21 #19 #18 #17 #16 #15 #11 #10 #7 #6
5	SF.SM	SF_Key_Access SF_Clearing_of_Sensitive_Information SF_Key_Destruction SF_Random_Number_Generation SF_Encryption_and_Decryption SF_Signature SF.PHYS SF.SAFESTATE_MGT SF.DEV_AUTH	#40 #21 #19 #18 #16 #15 #11 #10 #3
6	SF.KEY_MGT	SF_Key_Access SF_Key_Generation SF_Clearing_of_Sensitive_Information SF_Key_Destruction SF.PHYS SF.SAFESTATE_MGT SF.EAVESDROPPING_PROTECTION SF.SM	#40 #23 #21 #19 #11 #10 #9 #5
7	SF.CONF	SF.PHYS SF.SAFESTATE_MGT	#11 #10
8	SF.ESERVICE	SF_Key_Access SF_Message_Digest_Generation SF_Encryption_and_Decryption SF_Signature SF.PHYS SF.SAFESTATE_MGT SF.EAVESDROPPING_PROTECTION	#40 #17 #16 #15 #11 #10 #9
9	SF.EAVESDROPPING_PROTECTION	SF_Prepersonalization SF_Resident_Application_Dispatcher SF_Manufacturer_Authentication SF.PHYS SF.SAFESTATE_MGT SF.CONF SF.SM	#39 #33 #32 #11 #10 #7 #5
10	SF.SAFESTATE_MGT	SF_Exception SF_Data_Coherency SF_Memory_failure SF_Hardware_Operating SF_Atomic_Transactions SF_data_integrity	#29 #28 #27 #26 #22 #20

		SF_Random_Number_Generation SF_Signature SF.PHYS	#18 #15 #11
11	SF.PHYS	SF_Unobservability SF_Security_Functions_of_the IC	#38 #37
12	SF_Firewall	N/A	N/A
13	SF_Card_Content_Management	N/A	N/A
14	SF_Card_Management_Environment	N/A	N/A
15	SF_Signature	N/A	N/A
16	SF_Encryption_and_Decryption	N/A	N/A
17	SF_Message_Digest_Generation	N/A	N/A
18	SF_Random_Number_Generation	N/A	N/A
19	SF_Key_Destruction	N/A	N/A
20	SF_data_integrity	N/A	N/A
21	SF_Clearing_of_Sensitive_Information	N/A	N/A
22	SF_Atomic_Transactions	N/A	N/A
23	SF_Key_Generation	N/A	N/A
24	SF_Key_Distribution	N/A	N/A
25	SF_Cardholder_Verification	N/A	N/A
26	SF_Hardware_Operating	N/A	N/A
27	SF_Memory_failure	N/A	N/A
28	SF_Data_Coherency	N/A	N/A
29	SF_Exception	N/A	N/A
30	SF_DAP_Verification	N/A	N/A
31	SF_TOKEN	N/A	N/A
32	SF_Manufacturer_Authentication	N/A	N/A
33	SF_Resident_Application_Dispatcher	N/A	N/A
34	SF_Entity_Authentication/Secure_Channel	N/A	N/A
35	SF_GP_Dispatcher	N/A	N/A
36	SF_KEY_MANAGEMENT	N/A	N/A
37	SF_Security_Functions_of_the IC	N/A	N/A
38	SF_Unobservability	N/A	N/A
39	SF_Personalization	N/A	N/A
40	SF_Key_Access	N/A	N/A
41	SF_Key_Agreement	N/A	N/A

## 4.2. Security assurance requirements

This chapter defines the list of the assurance measures required for the TOE security assurance requirements. The EAL4+ is claimed.

### 4.2.1. Evaluation Assurance Level rationale

The underlying javacard open platform [TERPSICHORE] has a certificate level at Evaluation Assurance Level 4 (EAL4) augmented with ALC\_DVS.2 and AVA\_VAN.5. This is conform to the evaluation level assurance claimed by this security target which is EAL4 augmented with ALC\_DVS.2 and AVA\_VAN.5.

The following assurance packages are required

Measure	Name
AM_ADV	Development
AM_AGD	Guidance
AM_ALC	Life Cycle
AM_ASE	Security target
AM_ATE	Tests
AM_VAN	Vulnerability

### 4.2.2. ADV : Development

The following components are included:

Component	Level
ADV_ARC	1
ADV_FSP	4
ADV_IMP	1
ADV_INT	N/A
ADV_SPM	N/A
ADV_TDS	3

### 4.2.3. AGD : Guidance

The following components are included:

Component	Level
AGD_OPE	1
AGD_PRE	1

#### 4.2.4. ALC : Life Cycle

The following components are included:

Component	Level
ALC_CMC	4
ALC_CMS	4
ALC_DEL	1
ALC_DVS	2 – enhanced component
ALC_FLR	N/A
ALC_LCD	1
ALC_TAT	1

Note : ALC\_DVS is enhanced

#### 4.2.5. ASE : Security target

The following components are included:

Component	Level
ASE_CCL	1
ASE_ECD	1
ASE_INT	1
ASE_OBJ	2
ASE_REQ	2
ASE_SPD	1
ASE_TSS	1

#### 4.2.6. ATE : Tests

The following components are included:

Component	Level
ATE_COV	2
ATE_DPT	2 – enhanced component
ATE_FUN	1
ATE_IND	2

Note : DPT is enhanced

#### 4.2.7. VAN : Vulnerability Analysis

The following component is included:

Component	Level
-----------	-------

VAN

5 –enhanced component

Note : VAN is enhanced

### 4.3. EAL augmentations rationale

#### 4.3.1. AVA\_VAN.5 Advanced methodical vulnerability analysis

Due to the definition of the TOE, it must be shown to be highly resistant to penetration attacks. This assurance requirement is achieved by the AVA\_VAN.5 component. Independent vulnerability analysis is based on highly detailed technical information. The attacker is assumed to be thoroughly familiar with the specific implementation of the TOE. The attacker is presumed to have a high level of technical sophistication.

AVA\_VAN.5 has dependencies:

- ADV\_ARC.1
- ADV\_FSP.2
- ADV\_IMP.1
- ADV\_TDS.3
- AGD\_OPE.1
- AGD\_PRE.1

All these dependencies are fulfilled.

#### 4.3.2. ALC\_DVS.2 Sufficiency of security measures

In order to protect the TOE on development Phase, the component ALC\_DVS.2 was added. This latter requires security documentation justifying that the security measures provide the necessary level of protection to maintain the confidentiality and integrity of the TOE.

#### 4.3.3. ATE\_DPT.2 Testing: security enforcing modules

The selection of the component ATE\_DPT.2 provides a higher assurance than the predefined EAL4 package due to requiring the functional testing of SFR-enforcing modules.

ATE\_DPT.2 has dependencies:

- ADV\_ARC.1
- ADV\_TDS.3

- ATE\_FUN.1

All these dependencies are fulfilled.

## 5. Conformance Claims

### 5.1. Conformance Claim to CC

This Security Target claims conformance to CC version 3.1 with the following documents:

- "Common Criteria for information Technology Security Evaluation, Part 1: Introduction and general model", July 2009, Version 3.1 revision 3
- "Common Criteria for information Technology Security Evaluation, Part 2: Security Functional requirements", July 2009, Version 3.1 revision 3
- "Common Criteria for information Technology Security Evaluation, Part 3: Security Assurance requirements", July 2009, Version 3.1 revision 3

Conformance is claimed as follows:

- Part 1: conformant
- Part 2: extended with the FCS\_RNG.1 and FPT\_EMSEC.1. All the other Security requirements have been drawn from the catalogue of requirements in Part 2
- Part 3: conformant EAL4 augmented with ALC\_DVS.2, ATE\_DPT.2, and AVA\_VAN.5.

### 5.2. Protection Profile reference

This Security Target claims conformance with the following protection profiles

- Protection Profile «Secure Signature Creation Device Type 2, version 1.04», reference BSI-PP-0005-2002.
- Protection Profile «Secure Signature Creation Device Type 3, version 1.05», reference BSI-PP-0006-2002.

### 5.3. Conformance Claim rationale

The TOE described in this Security target is conformant with the TOE type described in [SSCD2] and [SSCD3]. The security problem definition of this Security Target is consistent with the one defined in [SSCD2] and [SSCD3] as it was extracted from them.

The TOE claims a demonstrable conformance

However the security problem definition was extended to consider the following behaviour of the TOE

- the various authentication features
- the management of keys
- the life cycle management which separates the phase 6 (under the personalization Agent control) and the phase 7

### 5.3.1. Rationale for TOE objectives

All the TOE objectives described in [SSCD2] and [SSCD3] are included. The following ones are added:

- **OT.Authentication\_Secure** : The TOE enable secure authentication of itself and external entities
- **OT.Privacy\_Contactless** : When used in contactless, the TOE ensures privacy of data
- **OT.SCD/SVD\_Management** : The TOE does not consider only one couple SCD/SVD but considers several that may be created, erased and loaded all along the TOE life cycle
- **OT.Key\_Lifecycle\_Security** ; The Toe protects the authentication and eServices keys all over its life cycle
- **OT.Key\_Secrecy** : The TOE ensures the secrecy of the authentication and eServices keys
- **OT.TOE\_AuthKey\_Unique** : When the TOE generates an asymmetric key pair used to authenticate itself, it ensures it will be unique
- **OT.LifeCycle\_Management** : The Life cycle of the TOE is splitted in two phases : the first one in which the TOE is under the Personalization Agent control and during which data are loaded in the TOE and during which the TOE can not sign, and the second one in which the TOE can be used by the Signatory to sign
- **OT.eServices** : The TOE realize eServices

None of these new objectives interfere with the security problem definition stated by [SSCD2] and [SSCD3].

### 5.3.2. Rationale for threats

All the threats present in [SSCD2] and [SSCD3] are included. The following ones are added:

- **T.TOE\_ID\_Contactless** : Identification of the TOE when used in contactless
- **T.Skimming\_Contactless** : Skimming of the TOE when used in contactless
- **T.Eavesdropping\_Contactless** : Eavesdropping of the communication when used in contactless
- **T.Key\_Divulg** : Divulgate of an authentication of eService key
- **T.Key\_Derive** : Derivation of an authentication of eServices key

- **T.TOE\_PublicAuthKey\_Forgery** : Forgery of the authentication public key of the TOE
- **T.Authentication\_Replay** : replay of an authentication protocol

Moreover, **T.Hack\_Phys** is extended to address all the threats over the keys stored in the TOE (SCD, SVD, authentication keys and eServices keys)

None of these new threats interfere with the security problem definition stated by [SSCD2] and [SSCD3].

### 5.3.3. Rationale for Assumptions

No assumptions were added

### 5.3.4. Rationale for Organisational Security Policies

All the OSPs present in [SSCD2] and [SSCD3] are included. The following ones are added:

- **P.EMSEC\_Design** : The development of the TOE was made in order to avoid any exploitable information leakage
- **P.SecurityPolicy\_Contactless** :If the TOE is to be used in contactless, a relevant security policy shall be set to protect TOE against traceability and to protect it from skimming.
- **P.LinkSCD\_QualifiedCertificate** : there shall exist a link between the SCD used to create the signature and the matching qualified certificate
- **P.ControlOfAppletToBeLoaded\_Contactless** : the other applets that might be present shall not enable to trace the TOE when used in contactless
- **P.TOE\_PublicAuthKey\_Cert** : the TOE contains certificate enabling to use the authentication features of the TOE.
- **P.TOE\_Construction** : the recommendations indicated in [AGD\_PRE] shall be applied to ensure the correct construction of the TOE. This OSP is just added for conformance reasons and does not modify the SPD

None of these new OSPs interfere with the security problem definition stated by [SSCD2] and [SSCD3].

### 5.3.5. Rationale for Environment objectives

All the Environment objectives present in [SSCD2] and [SSCD3] are included. The following ones are added:

- **OE.AuthKey\_Transfer** : the environment ensures the confidentiality and integrity of the authentication keys when transferred in the TOE



- **OE.AuthKey\_Unique** : the environment ensures the uniqueness of each TOE authentication keys loaded in the TOE
- **OE.TOE\_PublicAuthKey\_Transfer** : the environment ensures the authenticity of the authentication public keys when transferred from the TOE
- **OE.SecurityPolicy\_Contactless** : The security policy applied by the environment on sensitive data that may be accessed in contactless is correctly defined
- **OE.LinkSCD\_QualifiedCertificate** : The environment ensures that when the SCD is updated, the link with the qualified certificate is maintained
- **OE.ControlOfAppletToBeLoaded\_Contactless** : When an applet is loaded on the javacard open platform, the applet shall ensure the privacy of the TOE (no tracking)
- **OE.TOE\_Construction** : the Personalization Agent shall be a trusted person and be skilled enough to apply the recommendations indicated in [AGD\_PRE]. This OE is just added for conformance reasons and does not modify the SPD

None of these new environment objectives interfere with the security problem definition stated by [SSCD2] and [SSCD3].

#### 5.3.6. Rationale for Security requirements

Security requirement of the {SSCD2} and {SSCD3} are defined in this Security target. However, as they are based on previous Common Criteria version (v2.1), some requirements are adapted to CC v3.1 (mainly wording) as well as some dependencies that were modified. In particular, FPT\_AMT is replaced by FPT\_TEE in CC v3.1.

In the case of the TOE, FPT\_TEE is non applicable. With respect to the definition of this SFR, it implies the TOE to perform test on external entities. However, as the TOE does not rely on any external mechanisms to realize the security services and as all the security features are present in the TOE scope, this SFR is non applicable and is withdrawn from the current security target.

Moreover, due to compliance with the CC v3.1, FMT\_SMF.1 is added in this current security target

#### 5.4. Security objectives rationale

In the following chapter, all refinements to the OSP, Threats and Assumptions of the [SSCD2] and [SSCD3] are indicated in *blue italic letters*.

## Policies and Security Objective Sufficiency

### **P.CSP\_QCert** (CSP generates qualified certificates)

establishes the qualified certificate for the signatory and provides that the SVD matches the SCD that is implemented in the SSCD under sole control of this signatory. P.CSP\_QCert is addressed by the TOE by **OT.SCD\_SVD\_Corresp** and **OE.SCD\_SVD\_Corresp** concerning the correspondence between the SVD and the SCD, in the TOE IT environment, by **OE.CGA\_QCert** for generation of qualified certificates by the CGA, respectively.

### **P.QSign** (Qualified electronic signatures)

provides that the TOE and the SCA may be employed to sign data with qualified electronic signatures, as defined by the Directive [1], article 5, paragraph 1. Directive [1], recital (15) refers to SSCDs to ensure the functionality of advanced signatures. The requirement of qualified electronic signatures being based on qualified certificates is addressed by **OE.CGA\_QCert**. **OE.SCA\_Data\_Intend** provides that the SCA presents the DTBS to the signatory and sends the DTBS-representation to the TOE. **OT.Sig\_Secure** and **OT.Sigy\_SigF** address the generation of advanced signatures by the TOE.

### **P.Sigy\_SSCD** (TOE as secure signature-creation device)

establishes the TOE as secure signature-creation device of the signatory with practically unique SCD. This is addressed by **OT.Sigy\_SigF** ensuring that the SCD is under sole control of the signatory and **OE.SCD\_Unique** and **OT.SCD\_Unique** ensuring the cryptographic quality of the SCD/SVD pair for the qualified electronic signature. **OT.Init** provides that generation of the SCD/SVD pair is restricted to authorised users

### **P.EMSEC\_Design** (TOE designed to reduce the E.M. emanations)

ensures that all the sensitive operations that may disclose information through electromagnetic signal are protected. In particular it ensures the memory access, the cryptographic computation, the software execution do not emit any usable data that may be used to find any assets. It addresses **OT.EMSEC\_Design**

### **P.SecurityPolicy\_Contactless** (Security policy definition)

ensures that the TOE identification data, the access to the RAD, the sending of the VAD is protected against disclosure and eavesdropping. It requires these data to be exchanged through a communication channel ensuring identification of both entity (sender and the TOE) and ensuring protection against disclosure. It is addressed by **OE.SecurityPolicy\_Contactless** that guarantees the correct security policy is set to

objects/files and by **OT.Privacy\_Contactless** that ensures the TOE does apply this security policy.

**P.LinkSCD\_QualifiedCertificate** (Link between a SCD and its qualified certificate)

ensures that the SCA can unambiguously find the qualified certificate matching a SCD chosen to perform a SDO. It is addressed by **OE.LinkSCD\_QualifiedCertificate** that ensures a link between the SCD and a unique identifier within the TOE file structure

**P.ControlOfAppletToBeLoaded\_Contactless** (Control of the other applet that may be used on the javacard open platform)

ensures that there is no malicious applet loaded in the TOE that may be used to trace it (by emitting a unique identifier for instance) in case it is used in contactless mode. This is the responsibility of the SSCD Service provider to control the applet loaded in the TOE. It is addressed by **OE.ControlOfAppletToBeLoaded\_Contactless** .

**P.TOE\_PublicAuthKey\_Cert** (Certificate for asymmetric TOE authentication keys)

ensures that each private key(s) of the TOE for authentication matches the public key stored within the relevant certificate issued by an entitled entity. The authentication public key is exported thanks to **OE.TOE\_PublicAuthKey\_Transfer**.

**P.TOE\_Construction** (TOE construction)

ensures that all the recommendations indicated in [AGD\_PRE] are applied. It is addressed by **OE.TOE\_Construction**.

## Threats and Security Objective Sufficiency

**T.Hack\_Phys** (Exploitation of physical vulnerabilities)

deals with physical attacks exploiting physical vulnerabilities of the TOE. **OT.SCD\_Secrecy** preserves the secrecy of the SCD, ***OT.Key\_Secrecy** preserves the secrecy of all the authentication and eServices keys stored in the TOE.* Physical attacks through the TOE interfaces or observation of TOE emanations are countered by **OT.EMSEC\_Design**. **OT.Tamper\_ID** and **OT.Tamper\_Resistance** counter the threat **T.Hack\_Phys** by detecting and by resisting tamper attacks.

**T.SCD\_Divulg** (Storing and copying and releasing of the signature-creation data)

addresses the threat against the legal validity of electronic signature due to storage and copying of SCD outside the TOE, as expressed in the Directive [1], recital (18). This threat is countered by **OT.SCD\_Secrecy** which assures the secrecy of the SCD used for signature generation. **OT.SCD\_Transfer** and **OE.SCD\_Transfer** ensures the confidentiality of the SCD transferred between SSCDs.

**T.SCD\_Derive** (Derive the signature-creation data)

deals with attacks on the SCD via public known data produced by the TOE. This threat is countered by **OE.SCD\_Unique** (in case of SCD import) and **OT.SCD\_Unique** (in case of key generation) that provides cryptographic secure generation of the SCD/SVD-pair. **OT.Sig\_Secure** ensures cryptographic secure electronic signatures.

**T.Sig\_Forgery** (Forgery of the electronic signature)

deals with non-detectable forgery of the electronic signature. This threat is in general addressed by **OT.Sig\_Secure** (Cryptographic security of the electronic signature), **OE.SCA\_Data\_Intend** (SCA sends representation of data intended to be signed), **OE.CGA\_QCert** (Generation of qualified certificates), **OT.SCD\_SVD\_Corresp** and **OE.SCD\_SVD\_Corresp** (Correspondence between SVD and SCD), **OT.SVD\_Auth\_TOE** (TOE ensures authenticity of the SVD), **OE.SVD\_Auth\_CGA** (CGA proves the authenticity of the SVD), **OT.SCD\_Secrecy** and **OT.SCD\_Transfer** (Secrecy of the signature-creation data), **OT.SCD\_Transfer** (Secure transfer of SCD between SSCD), **OT.EMSEC\_Design** (Provide physical emanations security), **OT.Tamper\_ID** (Tamper detection), **OT.Tamper\_Resistance** (Tamper resistance) and **OT.Lifecycle\_Security** (Lifecycle security), as follows: **OT.Sig\_Secure** ensures by means of robust encryption techniques that the signed data and the electronic signature are securely linked together. **OE.SCA\_Data\_Intend** provides that the methods used by the SCA (and therefore by the verifier) for the generation of the DTBS-representation is appropriate for the cryptographic methods employed to generate the electronic signature. The combination of **OE.CGA\_QCert**, **OT.SCD\_SVD\_Corresp**, **OT.SVD\_Auth\_TOE**, and **OE.SVD\_Auth\_CGA** provides the integrity and authenticity of the SVD that is used by the signature verification process. **OT.Sig\_Secure**, **OT.SCD\_Secrecy**, **OT.SCD\_Transfer**, **OT.EMSEC\_Design**, **OT.Tamper\_ID**, **OT.Tamper\_Resistance**, and **OT.Lifecycle\_Security** ensure the confidentiality of the SCD implemented in the signatory's SSCD and thus prevent forgery of the electronic signature by means of knowledge of the SCD.

**T.Sig\_Repud** (Repudiation of electronic signatures)

deals with the repudiation of signed data by the signatory, although the electronic signature is successfully verified with the SVD contained in his un-revoked certificate. This threat is in general addressed by **OE.CGA\_QCert** (Generation of qualified certificates), **OT.SVD\_Auth\_TOE** (TOE ensures authenticity of the SVD), **OE.SVD\_Auth\_CGA** (CGA proves the authenticity of the SVD), **OT.SCD\_SVD\_Corresp** and **OE.SCD\_SVD\_Corresp** (Correspondence between SVD and SCD), **OT.SCD\_Unique** and **OE.SCD\_Unique** (Uniqueness of the signature-creation data), **OT.SCD\_Transfer** and **OE.SCD\_Transfer** (Secure transfer of SCD

between SSCD), **OT.SCD\_Secrecy** (Secrecy of the signature-creation data), **OT.EMSEC\_Design** (Provide physical emanations security), **OT.Tamper\_ID** (Tamper detection), **OT.Tamper\_Resistance** (Tamper resistance), **OT.Lifecycle\_Security** (Lifecycle security), **OT.Sigy\_SigF** (Signature generation function for the legitimate signatory only), **OT.Sig\_Secure** (Cryptographic security of the electronic signature), **OE.SCA\_Data\_Intend** (SCA sends representation of data intended to be signed) and **OT.DTBS\_Integrity\_TOE** (Verification of the DTBS-representation integrity). **OE.CGA\_QCert** ensures qualified certificates which allow to identify the signatory and thus to extract the SVD of the signatory. **OE.CGA\_QCert**, **OT.SVD\_Auth\_TOE** and **OE.SVD\_Auth\_CGA** ensure the integrity of the SVD. **OE.CGA\_QCert** and **OT.SCD\_SVD\_Corresp** ensure that the SVD in the certificate correspond to the SCD that is implemented by the SSCD of the signatory. **OT.SCD\_Unique** provides that the signatory's SCD can practically occur just once. **OT.Sig\_Secure**, **OT.SCD\_Transfer**, **OT.SCD\_Secrecy**, **OT.Tamper\_ID**, **OT.Tamper\_Resistance**, **OT.EMSEC\_Design**, and **OT.Lifecycle\_Security** ensure the confidentiality of the SCD implemented in the signatory's SSCD. **OT.Sigy\_SigF** provides that only the signatory may use the TOE for signature generation. **OT.Sig\_Secure** ensures by means of robust cryptographic techniques that valid electronic signatures may only be generated by employing the SCD corresponding to the SVD that is used for signature verification and only for the signed data. **OE.SCA\_Data\_Intend** and **OT.DTBS\_Integrity\_TOE** ensure that the TOE generates electronic signatures only for DTBS-representations which the signatory has decided to sign as DTBS.

*OT.LifeCycle\_Management ensures that when the TOE is under the Personalizer control, it can not be misused to sign on behalf of the legitimate Signatory.*

**T.SVD\_Forgery** (Forgery of the signature-verification data)

deals with the forgery of the SVD exported by the TOE to the CGA for the generation of the certificate. **T.SVD\_Forgery** is addressed by **OT.SVD\_Auth\_TOE** which ensures that the TOE sends the SVD in a verifiable form to the CGA, as well as by **OE.SVD\_Auth\_CGA** which provides verification of SVD authenticity by the CGA.

**T.DTBS\_Forgery** (Forgery of the DTBS-representation)

addresses the threat arising from modifications of the DTBS-representation sent to the TOE for signing which then does not correspond to the DTBS-representation corresponding to the DTBS the signatory intends to sign. The TOE counters this threat by the means of **OT.DTBS\_Integrity\_TOE** by verifying the integrity of the DTBS-representation. The TOE IT environment addresses **T.DTBS\_Forgery** by the means of **OE.SCA\_Data\_Indent**.

**T.SigF\_Misuse** (Misuse of the signature-creation function of the TOE)

addresses the threat of misuse of the TOE signature-creation function to create Signed Data Object by others than the signatory to create SDO for data the signatory has not decided to sign, as required by the Directive [1], Annex III, paragraph 1, literal (c). This threat is addressed by the **OT.Sigy\_SigF** (Signature generation function for the legitimate signatory only), **OE.SCA\_Data\_Intend** (Data intended to be signed), **OT.DTBS\_Integrity\_TOE** (Verification of the DTBS-representation integrity), and **OE.HI\_VAD** (Protection of the VAD) as follows: **OT.Sigy\_SigF** ensures that the TOE provides the signature-generation function for the legitimate signatory only. **OE.SCA\_Data\_Intend** ensures that the SCA sends the DTBS-representation only for data the signatory intends to sign. The combination of **OT.DTBS\_Integrity\_TOE** and **OE.SCA\_Data\_Intend** counters the misuse of the signature generation function by means of manipulation of the channel between the SCA and the TOE. If the SCA provides the human interface for the user authentication, **OE.HI\_VAD** provides confidentiality and integrity of the VAD as needed by the authentication method employed.

*OT.LifeCycle\_Management ensures that when the TOE is under the Personalizer control, it can not be misused to sign on behalf of the legitimate Signatory..*

#### **T.TOE\_ID\_Contactless** (Identification of the TOE)

deals with the threats for the TOE to be traced when used in contactless. This threat is addressed by **OE.SecurityPolicy\_Contactless** that ensures that identification data stored by TOE can not be disclosed to an unauthenticated entity, and **OT.Privacy\_Contactless** that ensures that this security policy is enforced: sensitive data (including the identification data) managed by the TOE are protected against retrieval by an unauthorized entity. **OE.ControlOfAppletToBeLoaded\_Contactless** ensures that when an applet is loaded in the javacard open platform, it does not endanger the privacy of the TOE and of the holder.

#### **T.Skimming\_Contactless** (skimming of the TOE)

deals with the threats of an attacker accessing the TOE by imitating an entitled device. **OT.Authentication\_Secure** ensures it is very difficult for the attacker to imitate an entitled device as the cryptographic techniques are very resistant. **OE.SecurityPolicy\_Contactless** ensures a suitable security policy is applied, so that authentication of the TOE and the external entity is applied prior to access data, and that exchanges are protected in confidentiality (for the sole recipient) and proves the authenticity of the sender. **OT.Privacy\_Contactless** ensures this security policy is enforced.

#### **T.Eavesdropping\_Contactless** (eavesdropping of the communication)

deals with the threats of an attacker listening to communication between the TOE and a device to get sensitive information. This is addressed by **OT.Privacy\_Contactless** that ensures sensitive data are exchanged through an encrypted channel with an authenticated entity.

**T.Key\_Divulg** (storing, copying and releasing a key)

addresses the threat against the (1) authentication key of the TOE, (2) the authentication keys of entities and (3) the eServices keys stored in the TOE due to storage and copying of key(s) outside the TOE. This threat is countered by **OT.Key\_Secrecy** which assures the secrecy of the keys stored and used by the TOE. **OE.AuthKey\_Transfer** ensures the confidentiality of the authentication keys transferred to the TOE.

**OT.Key\_Lifecycle\_Security** (Lifecycle security) ensures the secrecy of the keys stored in the TOE during the whole life of the TOE.

**T.Key\_Derive** (Derive a key)

deals with attacks on authentication and eServices keys via public known data produced or received by the TOE (public key, authentication cryptogram,...). This threat is countered by **OE.AuthKey\_Unique** (in case of import) and **OT.TOE\_AuthKey\_Unique** (in case of TOE's authentication key generation) that provides cryptographic secure generation of the keys. **OT.Authentication\_Secure** ensures secure authentication cryptograms.

**T.TOE\_PublicAuthKey\_Forgery** (Forgery of the public key of a TOE authentication key)

deals with the forgery of the TOE's public key used for authentication exported by the TOE to an entitled entity for the generation of the certificate. This is addressed by **OE.TOE\_PublicAuthKey\_Transfer** which ensures the authenticity of the TOE's public key for authentication.

**T.Authentication\_Replay** (Replay of an authentication of an external entity)

deals with the threats an attacker retrieves an authentication cryptogram presented to the TOE by an entity and present it again to the TOE in order to grant some rights in order to gain access to some data on the TOE. This is addressed by **OT.Authentication\_Secure** that ensures the authentication cryptogram can not be replayed as they rely on random data internally generated by the TOE;

### Assumption and Security Objective Sufficiency

**A.CGA** (Trustworthy certification-generation application)

establishes the protection of the authenticity of the signatory's name and the SVD in the qualified certificate by the advanced signature of the CSP by means of the CGA. This is addressed by **OE.CGA\_QCert** (Generation of qualified certificates) which ensures the generation of qualified certificates and by **OE.SVD\_Auth\_CGA** (CGA proves the authenticity of the SVD) which ensures the verification of the integrity of the received SVD and the correspondence between the SVD and the SCD that is implemented by the SSCD of the signatory.

#### **A.SCA** (Trustworthy signature-creation application)

establishes the trustworthiness of the SCA according to the generation of DTBS-representation. This is addressed by **OE.SCA\_Data\_Intend** (Data intended to be signed) which ensures that the SCA generates the DTBS-representation of the data that has been presented to the signatory as DTBS and which the signatory intends to sign in a form which is appropriate for being signed by the TOE

#### **A.SCD\_Generate** (Trustworthy SCD/SVD generation)

establishes a trustworthy SCD/SVD pair. This that the SCD must be unique, objective met by **OE.SCD\_Unique**, that the SCD and the SVD must correspond, objective met by **OE.SCD\_SVD\_Corresp**. The secrecy of the SCD must be maintained while it is transferred to the TOE before being deleted, **OE.SCD\_Transfer**.

## **6. Annex A : Extended Family**

### **6.1. Definition of FPT\_EMSEC**

The sensitive family FPT\_EMSEC (TOE Emanation) of the Class FPT (Protection of the TSF) is defined here to describe the IT security functional requirements of the TOE. The TOE shall prevent attacks against the TOE and other secret data where the attack is based on external observable physical phenomena of the TOE. Examples of such attacks are evaluation of TOE's electromagnetic radiation, simple power analysis (SPA), differential power analysis (DPA), timing attacks, etc. This family describes the functional requirements for the limitation of intelligible emanations which are not directly addressed by any other component of CC part 2.

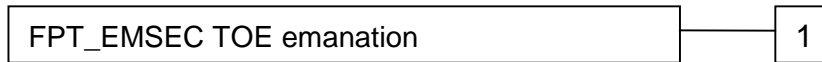
The family "TOE Emanation (FPT\_EMSEC)" is specified as follows.



Family behaviour

This family defines requirements to mitigate intelligible emanations.

Component levelling:



FPT\_EMSEC.1 TOE emanation has two constituents:

FPT\_EMSEC.1.1 Limit of Emissions requires to not emit intelligible emissions enabling access to TSF data or user data.

FPT\_EMSEC.1.2 Interface Emanation requires to not emit interface emanation enabling access to TSF data or user data.

Management: FPT\_EMSEC.1

There are no management activities foreseen.

Audit: FPT\_EMSEC.1

There are no actions defined to be auditable.

### **FPT\_EMSEC.1 TOE Emanation**

Hierarchical to: No other components.

Dependencies: No dependencies.

FPT\_EMSEC.1.1 The TOE shall not emit [*assignment: types of emissions*] in excess of [*assignment: specified limits*] enabling access to [*assignment: list of types of TSF data*] and [*assignment: list of types of user data*].

FPT\_EMSEC.1.2 The TSF shall ensure [*assignment: type of users*] are unable to use the following interface [*assignment: type of connection*] to gain access to [*assignment: list of types of TSF data*] and [*assignment: list of types of user data*].

## **6.2. Definition of FCS\_RNG**

See [ST\_TERPSICHORE] for definition