

Security Target Lite ID-One COSMO v9.2

Edition: 4

DOCUMENT EVOLUTION

Version	Issue Date	Author	Purpose
1	2020/01/15	IDEMIA	Initial version
2	2020/01/27	IDEMIA	Second version
3	2020/01/31	IDEMIA	Third version based on the full security target (Reference: FQR 110 9277 Ed 5)
4	2020/02/10	IDEMIA	This version is based on the full security target (Reference: FQR 110 9277 Ed 6)

© IDEMIA. All rights reserved.

Specifications and information are subject to change without notice.

The products described in this document are subject to continuous development and improvement.

All trademarks and service marks referred to herein, whether registered or not in specific countries, are the properties of their respective owners.

- Printed versions of this document are uncontrolled -

Table of contents

1	SECURITY TARGET INTRODUCTION	7
1.1	SECURITY TARGET REFERENCE.....	7
1.2	TOE REFERENCE.....	7
1.3	SECURITY TARGET OVERVIEW.....	7
1.4	REFERENCES	8
1.5	ACRONYMS AND NOTATIONS	10
1.5.1	<i>Abbreviations</i>	10
1.5.2	<i>Definitions</i>	10
1.6	TOE OVERVIEW.....	12
1.6.1	<i>TOE Type</i>	12
1.6.2	<i>TOE usage</i>	12
1.7	PRODUCT ARCHITECTURE	13
1.7.1	<i>Logical scope of the TOE</i>	13
1.7.2	<i>Physical scope of the TOE</i>	13
1.7.3	<i>TOE Guidance</i>	15
1.7.4	<i>Platform isolation</i>	16
1.7.5	<i>Applications</i>	16
1.8	TOE DESCRIPTION	17
1.8.1	<i>Defensive Java Card Platform</i>	17
1.8.2	<i>Global Platform</i>	18
1.8.3	<i>Integrated Circuit (IC)</i>	18
1.8.4	<i>Operating System (OS)</i>	18
1.9	MAJOR SECURITY FEATURES OF THE TOE	21
1.10	NON-TOE HW/SW/FW AVAILABLE TO THE TOE	25
1.11	LIFE-CYCLE.....	25
1.11.1	<i>Phase 1: Security IC Embedded Software development</i>	26
1.11.2	<i>Phase 2: Security IC Development</i>	26
1.11.3	<i>Phase 3 and phase 4: Security IC Manufacturing and packaging</i>	26
1.11.4	<i>Phase 5: Composite Product Integration</i>	27
1.11.5	<i>Phase 6: Composite Product Personalisation</i>	27
1.11.6	<i>Phase 7: Operational Usage</i>	27
2	CONFORMANCE CLAIM	28
2.1	COMMON CRITERIA CONFORMANCE CLAIM	28
2.2	PROTECTION PROFILE CLAIM.....	28
2.3	CONFORMANCE RATIONALE	28
2.3.1	<i>TOE SAR conformance</i>	28
2.3.2	<i>TOE Type conformance</i>	29
2.3.3	<i>SPD Statement Consistency</i>	29
3	SECURITY ASPECTS	30
3.1	CONFIDENTIALITY.....	30
3.2	INTEGRITY.....	30
3.3	UNAUTHORIZED EXECUTIONS.....	31
3.4	BYTECODE VERIFICATION.....	32
3.4.1	<i>CAP file verification</i>	32
3.4.2	<i>Integrity and authentication</i>	32
3.4.3	<i>Linking and authentication</i>	32
3.5	CARD MANAGEMENT	32
3.6	SERVICES	33

4	SECURITY PROBLEM DEFINITION	35
4.1	ASSETS.....	35
4.1.1	<i>User data</i>	<i>35</i>
4.1.2	<i>TSF data.....</i>	<i>36</i>
4.1.3	<i>Additional assets.....</i>	<i>36</i>
4.2	USERS / SUBJECTS.....	37
4.2.1	<i>Additional Users / Subjects</i>	<i>37</i>
4.2.2	<i>Miscellaneous</i>	<i>38</i>
4.3	THREATS.....	39
4.3.1	<i>CONFIDENTIALITY.....</i>	<i>39</i>
4.3.2	<i>INTEGRITY.....</i>	<i>40</i>
4.3.3	<i>IDENTITY USURPATION.....</i>	<i>40</i>
4.3.4	<i>UNAUTHORIZED EXECUTION</i>	<i>41</i>
4.3.5	<i>DENIAL OF SERVICE</i>	<i>41</i>
4.3.6	<i>CARD MANAGEMENT.....</i>	<i>41</i>
4.3.7	<i>SERVICES.....</i>	<i>42</i>
4.3.8	<i>MISCELLANEOUS</i>	<i>42</i>
4.3.9	<i>Additional threats.....</i>	<i>42</i>
4.4	ORGANISATIONAL SECURITY POLICIES	43
4.5	ASSUMPTIONS	43
5	SECURITY OBJECTIVES	44
5.1	SECURITY OBJECTIVES FOR THE TOE	44
5.1.1	<i>IDENTIFICATION.....</i>	<i>44</i>
5.1.2	<i>EXECUTION.....</i>	<i>44</i>
5.1.3	<i>SERVICES.....</i>	<i>45</i>
5.1.4	<i>OBJECT DELETION.....</i>	<i>46</i>
5.1.5	<i>APPLET MANAGEMENT.....</i>	<i>46</i>
5.1.6	<i>Additional security objectives for the TOE.....</i>	<i>46</i>
5.2	SECURITY OBJECTIVES FOR THE OPERATIONAL ENVIRONMENT	48
5.3	SECURITY OBJECTIVES RATIONALE.....	49
5.3.1	<i>Threats</i>	<i>49</i>
5.3.2	<i>Organisational Security Policies.....</i>	<i>54</i>
5.3.3	<i>Assumptions.....</i>	<i>55</i>
5.3.4	<i>SPD and Security Objectives.....</i>	<i>55</i>
6	EXTENDED REQUIREMENTS	60
6.1	EXTENDED FAMILIES	60
6.1.1	<i>Extended Family FCS_RNG - Random Number Generation</i>	<i>60</i>
7	SECURITY REQUIREMENTS	61
7.1	SECURITY FUNCTIONAL REQUIREMENTS	61
7.1.1	<i>CoreG_LC Security Functional Requirements.....</i>	<i>65</i>
7.1.2	<i>InstG Security Functional Requirements</i>	<i>80</i>
7.1.3	<i>ADELG Security Functional Requirements</i>	<i>84</i>
7.1.4	<i>ODELG Security Functional Requirements.....</i>	<i>87</i>
7.1.5	<i>CarG Security Functional Requirements</i>	<i>88</i>
7.1.6	<i>JBox Security Requirements.....</i>	<i>108</i>
7.2	SECURITY ASSURANCE REQUIREMENTS.....	110
7.3	SECURITY REQUIREMENTS RATIONALE	110
7.3.1	<i>Objectives</i>	<i>110</i>
7.3.2	<i>Rationale tables of Security Objectives and SFRs.....</i>	<i>117</i>
7.3.3	<i>Rationale table with objectives defined in ANSSI-CC-Note 06.....</i>	<i>124</i>
7.3.4	<i>Dependencies</i>	<i>125</i>
7.3.5	<i>Rationale for the Security Assurance Requirements.....</i>	<i>131</i>

8	TOE SUMMARY SPECIFICATION.....	132
8.1	TOE SUMMARY SPECIFICATION.....	132
8.2	SFRs AND TSS.....	140
8.2.1	<i>SFRs and TSS - Rationale</i>	<i>140</i>
8.2.2	<i>Association tables of SFRs and TSS</i>	<i>155</i>

Table of figures

Figure 1: Java Card Platform Architecture	13
Figure 2: View of the smart card and pins	14

Table of tables

Table 1: Guidance references	15
Table 2: TOE Life (options a and b)	25
Table 3: TOE Life (option c)	26
Table 4: CC conformance rationale	28
Table 5 Threats and Security Objectives - Coverage	56
Table 6 Security Objectives and Threats - Coverage	58
Table 7 OSPs and Security Objectives - Coverage	58
Table 8 Security Objectives and OSPs - Coverage	59
Table 9 Assumptions and Security Objectives for the Operational Environment - Coverage	59
Table 10 Security Objectives for the Operational Environment and Assumptions - Coverage.....	59
Table 11 Security Objectives and SFRs - Coverage	120
Table 12 SFRs and Security Objectives	124
Table 13 Security Objectives Vs Note 06 Objectives.....	125
Table 14 SFRs Dependencies	129
Table 15 SARs Dependencies	130
Table 16 SFRs and TSS - Coverage.....	158

1 SECURITY TARGET INTRODUCTION

This Security Target Lite aims to satisfy the requirements of Common Criteria level EAL5 augmented with AVA_VAN.5 and ALC_DVS.2 in defining the security enforcing functions of the TOE and describing the environment in which it operates.

The Security Target describes the composite evaluation of the IDEMIA Java Card open platform on the Infineon (hereafter called IFX) Integrated Circuit.

Application note

This TOE claims an assurance level EAL5 augmented with ALC_DVS.2 and AVA_VAN.5. AVA_VAN.5 implies that the TOE is resistant to attacks performed by an attacker possessing "High Attack Potential". Not all key sizes specified in this security target have sufficient cryptographic strength for satisfying the AVA_VAN.5 "High Attack Potential". In order to be protected against attackers with a "High Attack Potential", sufficiently large cryptographic key sizes SHALL be configured for this TOE. Please refer to national and international document standards for more and up-to-date details.

1.1 Security Target Reference

Title	Security Target Lite ID-One COSMO v9.2
Editor	IDEMIA
IDEMIA registration	FQR 110 9443
Revision	Ed 4
EAL	EAL5 augmented with: ALC_DVS.2 and AVA_VAN.5
ITSEF	CEA-LETI
Certification Body	ANSSI

1.2 TOE Reference

Product Commercial Names	ID-One COSMO v9.2 Platform
IC	Infineon SLC52 certified by the German BSI certification body (BSI-DSZ-CC-1110-V2-2019)
TOE Name	ID-One COSMO v9.2
TOE version	SAAAAR Code: 093772
TOE Documentations	Refer to Section 1.7.3 TOE Guidance

The TOE and the product differ, as further explained in the architecture of the product. The TOE is the Java Card System (JCS) Open Platform of the ID-One Cosmo v9.2 product and the TOE may also include applets.

The TOE is identified by the tag identity which provides information on the product and allows identifying each product configuration in term of features included or not in each specific product configuration. Information and values to identified TOE are described in **[R32]**.

1.3 Security Target Overview

The main objectives of this Security Target are to:

- Introduce the JCS Platform,
- Define the scope of the TOE and its security features
- Describe the security environment of the TOE, including the assets to be protected and the threats to be countered by the TOE and its environment during the product development, production and usage.

- Describe the security objectives of the TOE and its environment supporting in terms of integrity and confidentiality of application data and programs and of protection of the TOE.
- Specify the security requirements which include the TOE security functional requirements, the TOE assurance requirements and TOE security functions.

1.4 References

Ref	Document details
[R1]	"Common Criteria for information Technology Security Evaluation, Part 1: Introduction and general model", April 2017, Version 3.1 revision 5.
[R2]	"Common Criteria for information Technology Security Evaluation, Part 2: Security Functional component", April 2017, Version 3.1 revision 5.
[R3]	"Common Criteria for information Technology Security Evaluation, Part 3: Security Assurance components", April 2017, Version 3.1 revision 5.
[R4]	Joint Interpretation Library, Assurance Continuity – Practical cases for Smart Cards and similar devices, Version 1.0 November 2017
[R5]	Java Card System – Open Configuration Protection Profile, Version 3.0.5 December 2017, BSI-CC-PP-0099-2017
[R6]	"Java Card 3.0.5 Classic - API" Application Programming Interfaces, Version 3.0.5, 2015, Oracle Technology Network
[R7]	"Java Card – JCRE" Runtime Environment Specification, Classic Edition Version 3.0.5, 2015, Oracle Technology Network
[R8]	"Java Card 3.0.5 - Virtual Machine Specifications" Virtual Machine Java Card™ Platform, Version 3.0.5, 2015, Oracle Technology Network
[R9]	"GlobalPlatform Card Specification" Version 2.3.1 Public Release - March 2018 Document Reference: GPC_SPE_034
[R10]	ANSI x9.62-2005 Public Key Cryptography for the Financial Services Industry – The Elliptic Curve Digital Signature Algorithm (ECDSA)
[R11]	Joint Interpretation Library, Guidance for smartcard evaluation, v2-0
[R12]	GlobalPlatform Card Technology - Secure Channel Protocol '03', Card Specification v2.2 – Amendment D" Version 1.1.1 - Public Release July 2014 Document Reference: GPC_SPE_014
[R13]	GlobalPlatform Card Technology - Security Upgrade for Card Content Management, Card Specification v2.2 - Amendment E" Version 1.0 – Public Release November 2011 Document Reference: GPC_SPE_042
[R14]	The NIST SP 800-90 Recommendation for Random Number Generation Using Deterministic Random Bit Generators (Revise) March 2007
[R15]	"Digital Signatures using Reversible Public Key Cryptography for the Financial Services Industry (rDSA)" ANSI X9.31-1998, American Bankers Association
[R16]	"FIPS PUB 46-3, Data Encryption Standard" October 25, 1999 (ANSI X3.92), National Institute of Standards and Technology
[R17]	"FIPS PUB 81, DES Modes of Operation" April 17, 1995, National Institute of Standards and Technology
[R18]	"FIPS PUB 180-3, Secure Hash Standard" October 2008 , National Institute of Standards and Technology
[R19]	Certification of « open » smart card products, Version 1.1 (for trial use), 4 February 2013.
[R20]	"Public Key Cryptography using RSA for the financial services industry"

	ISO/IEC 9796-1, annex A, section A.4 and A.5, and annex C (1995)
[R21]	"Information technology – Security techniques: Data integrity mechanism using a cryptographic check function employing a block cipher algorithm" ISO/IEC 9797-1 (1999) , International Organization for Standardization
[R22]	"FIPS PUB 140-2, Security requirements for cryptographic modules" Mars 2002 , National Institute of Standards and Technology
[R23]	PKCS#1 The public Key Cryptography standards RSA Data Security Inc. 1993
[R24]	Security IC Platform Protection Profile with Augmentation Packages Version 1.0, 13 January 2014, BSI-CC-PP-0084-2014
[R25]	FIPS PUB 197, The Advanced Encryption Standard (AES) U.S. DoC/NIST, November 26, 2001.
[R26]	Public Security Target, BSI-DSZ-CC-1110-V2-2019, Version 1.6, 05.06.2019, "Public Security Target IFX_CCI_000003h, IFX_CCI_000005h, IFX_CCI_000008h, IFX_CCI_00000Ch, IFX_CCI_000013h, IFX_CCI_000014h, IFX_CCI_000015h, IFX_CCI_00001Ch, IFX_CCI_00001Dh, IFX_CCI_000021h, IFX_CCI_000022h design step H13", Infineon Technologies AG (sanitised public document)
[R27]	IEEE Std 1363a-2004 Standard Specification of Public-Key Cryptography
[R28]	The Java Virtual Machine Specification. Lindholm, Yellin ISBN 0-201-43294-3
[R29]	Java Card 3 Platform Off-card Verification Tool Specification, Classic Edition, Version 1.0. Published by Oracle
[R30]	Java Card System Standard 2.2 Configuration Protection Profile – PP/0305 Version 1.0b – August 2003
[R31]	ID-One COSMO v9.2 Applet Security Recommendations, FQR 110 9291 Ed2
[R32]	ID-One COSMO v9.2 Reference Guide, FQR 110 9290 Ed3
[R33]	ID-One COSMO v9.2 Pre-Perso Guide, FQR 110 9289 Ed3
[R34]	ID-One COSMO v9.2 Application Loading Protection Guidance, FQR 110 9292 Ed1
[R35]	ID-One COSMO v9.2 Javadoc, FQR 110 9299 Ed1
[R36]	IDEMIA Platform Flash Generation, FQR 110 9402 Ed1
[R37]	Secure acceptance and delivery of sensitive elements, FQR 110 8921 Ed1
[R38]	JCVM Patch, FQR 110 8805 Ed2
[R39]	JBox SW Configuration, FQR 110 9273 Ed1

1.5 Acronyms and Notations

1.5.1 Abbreviations

AES	Advanced Encryption Standard
AID	Applet Identifier
APDU	Application Protocol Data Unit
API	Application Programmer Interface
BIOS	Basic Input/Output System
CC	Common Criteria
CM	Card Manager
DAP	Data Authentication Pattern
DES	Cryptographic module "Data Encryption Standard"
EAL	Evaluation Assurance Level
EC	Elliptic Curves
GP	Global Platform
IC	Integrated Circuit
ISD	Issuer Security Domain
IT	Information Technology
JCRE	Java Card Runtime Environment
ISK	Initialization Secret Key
JSK	JPatch Secret Key
LSK	Load Secret Key
MOC	Match-On-Card
MSK	Master Secret Key
OSP	Organizational Security Policy
PP	Protection Profile
RNG	Random Number Generation
RSA	Cryptographic module "Rivest, Shamir, Adleman"
SF	Security Function
SFP	Security Function Policy
SHA	Secure Hash Algorithm
ST	Security Target
TOE	Target of Evaluation
TSF	TOE Security Function
VM	Virtual Machine

1.5.2 Definitions

Applet	Application which can be loaded and executed with the environment of the Java Card platform The one who is in charge of the Applet development intended to be loaded on the platform. He/she is the recipient of the in order to respect recommendations, if any, identified by the platform evaluation. These recommendations shall be followed by the applet developer and shall be checked before loading the application on the platform.
Applet developer	
Card Issuer	Entity that owns the card and is ultimately responsible for the behaviour of the card
Card Manager	Main entity which represents the issuer and supervises the whole services available on the card. The Card Manager entity encompasses the Open and the Issuer Security domain.
DAP	Part of the Load File used for ensuring authenticity of the Load File. The DAP is the signature of the Load File Data Block Hash and is provided during the loading.
Issuer Security Domain	The primary on-card entity providing support for the control, security, and communication requirements of the Card Issuer.
Load File Data Block Hash or LoadFile	The Load File Data Block Hash provides integrity of the Load File Data Block following receipt of the complete Load File Data Block.

OPEN	Part of the Card Manager entity which has the responsibilities to provide an API to applications, command dispatch, Application selection, logical channel management, and Card Content management. The OPEN also manages the installation of applications loaded to the card. The OPEN is responsible for enforcing the security policy defined for Card Content management.
Security Domain	On-card entity providing support for the control, security, and communication requirements of an off-card entity (e.g. the Card Issuer, an Application Provider or a Controlling Authority).
MOC	The MOC technology consists in registering the fingerprints (or their template) on a smart card or a USB key, the card being unlocked using the finger that functions as code.
MSK	Master Secret Key for authentication used to authenticate the card Manufacturer. This key has a given value (i.e. MSK value) and its try counter, i.e. MSK Key counter (as for a PIN). Once the try limit counter is reached, the authentication is no more possible with this key.
LSK	Secret Key used by the OS developer (the TOE developer) to encrypt locks and ISK keys.
JSK	Secret key used for patch loading.

1.6 TOE Overview

1.6.1 TOE Type

The ID-One COSMO V9.2 platform on IFX chip is a dual Java Card platform based, compatible with multi-application ID-One Cosmo product family.

The functional level of the OS is based on a Java™ based multi-application open platform, compliant with Java Card 3.0.5 Classic Edition and Global Platform 2.3 specifications.

This ID-One COSMO V9.2 platform is able to receive and manage different types of applications; i.e. Basic and Sensitive ones.

All the platform code including GP Java application called card manager are loaded in the FLASH memory.

The TOE allows the loading of optional code, Java Card application and native code:

- Applications can be loaded on the flash memory, at pre-personalisation, personalisation or use phase.
- Optional code can also be loaded to upgrade the TOE at any time of product life cycle, this function is named JPatch.
- Native code, viewed as a library behind the JCS, can also be loaded at any time with the JBox functionality.

However, the Card Issuer can forbid each of these operations before or after the issuance of the card.

The mechanism for the different loading are part of the present ST and part of the TOE evaluation.

1.6.2 TOE usage

This Platform is an open and isolating platform that is compliant with the ANSSI Application Note 10 that deals with open and isolating platforms and ANSSI Application Note 06 for code loading.

Smart cards are used as data carriers that are secure against forgery and tampering as well as personal, highly reliable, small size devices capable of replacing paper transactions by electronic data processing. Data processing is performed by a piece of software embedded in the smart card chip, called an application.

The Java Card System is intended to transform a smart card into a platform capable of executing applications written in a subset of the Java programming language. The intended use of a Java Card platform is to provide a framework for implementing IC independent applications conceived to safely coexist and interact with other applications into a single smart card.

Applications installed on a Java Card platform can be selected for execution when the card communicates with a card reader.

Notice that these applications may contain other confidentiality (or integrity) sensitive data than usual cryptographic keys and PINs; for instance, passwords or pass-phrases are as confidential as the PIN, or the balance of an electronic purse.

So far, the most typical applications are:

- Financial applications, like Credit/Debit ones, stored value purse, or electronic commerce, among others.
- Transport and ticketing, granting pre-paid access to a transport system like the metro and bus lines of a city.
- Personal identification, for granting access to secured sites or providing identification credentials to participants of an event.
- Electronic passports and identity cards.
- Secure information storage, like health records, or health insurance cards.

- Loyalty programs, like the “Frequent Flyer” points awarded by airlines. Points are added and deleted from the card memory in accordance with program rules. The total value of these points may be quite high and they must be protected against improper alteration in the same way that currency value is protected.

Furthermore, this platform embeds the MOC algorithm which is a highly secure technology for smart cards applications. The MOC technology is an entire part of the product and enables the authentication by way of digital prints. The MOC feature is out of the scope of the present ST.

1.7 Product Architecture

1.7.1 Logical scope of the TOE

From a logical point of view, the TOE is composed of hardware and software components, as listed below and described in Figure 1.

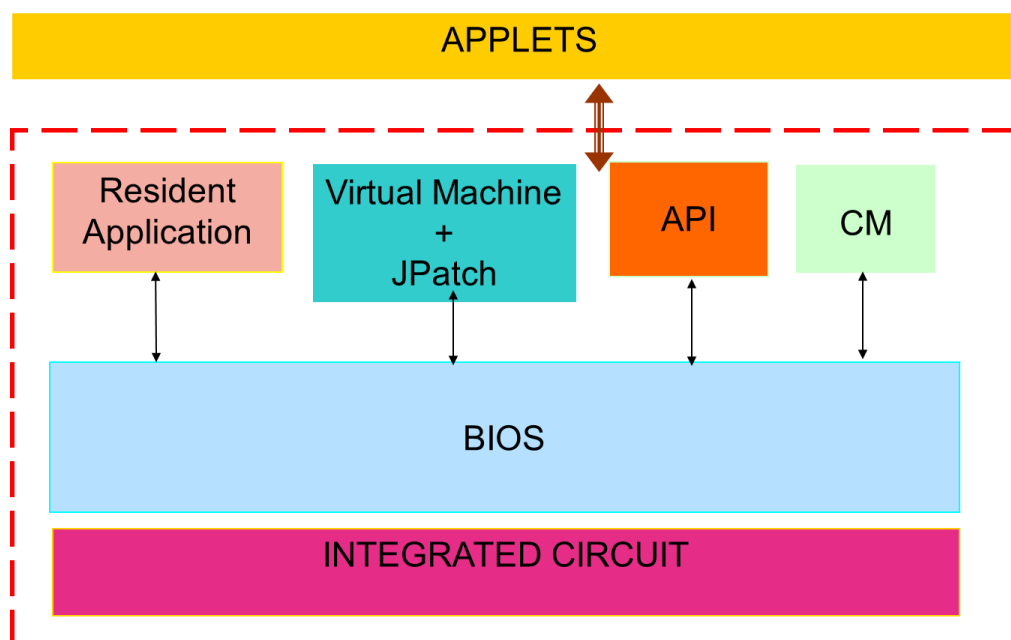


Figure 1: Java Card Platform Architecture

The TOE, boundaries defined by dotted red line includes the BIOS, the JBox, the Virtual Machine, the APIs, the Global Platform application (with the CM), the Resident application and the IC component. The TOE integrates also a patch mechanism called Jpatch, implemented in the VM bloc. Details of components are presented in the TOE description.

1.7.2 Physical scope of the TOE

From a physical point of view, The TOE is a smart card which uses the following pins as described in Figure 2 below for communication.

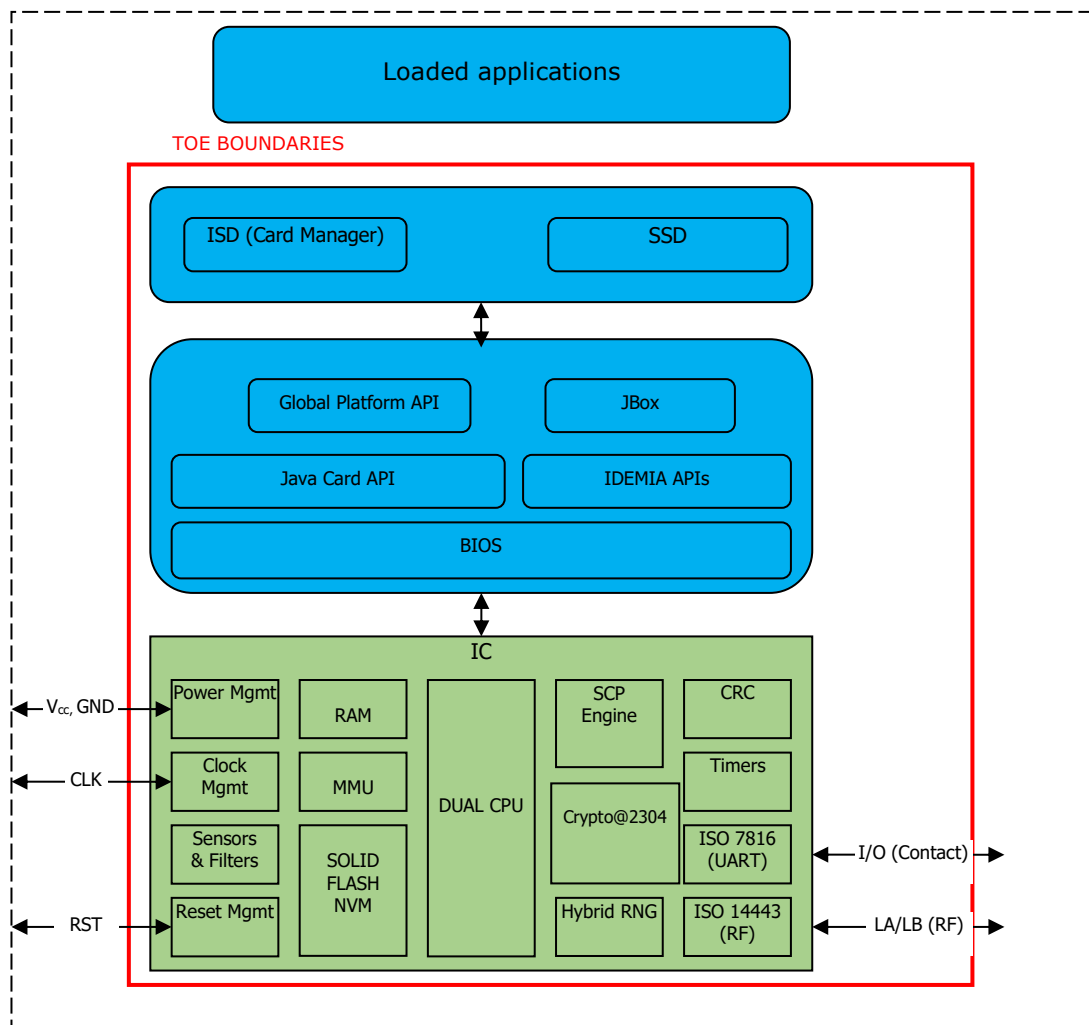


Figure 2: View of the smart card and pins

The ID-One COSMO V9.2 on IFX is a dual Java Card platform based, compatible with multi-application ID-One Cosmo product family.

The TOE is defined by:

- The underlying IC with its dedicated software,
- The OS based on a Java™ based multi-application platform, compliant with **Java Card 3.0.5 Classic Edition** and **Global Platform 2.3** specifications.
- The ability to receive and manage different types of applications, Basic and Sensitive ones.
- All the platform code including GP Java application called card manager are loaded in the Flash memory.
- The product is open at use phase.
- The basic or sensitive applications can be loaded on the flash memory, at prepersonalisation, personalisation or use phase. These applications are out of the scope of the present evaluation.

The applets loaded pre issuance or post issuance are outside the TOE. Other smart card product elements (such as holograms, magnetic stripes, security printing) are outside the scope of this Security Target.

Java Card RMI is not implemented in the TOE.

1.7.3 TOE Guidance

The ID-One COSMO V9.2 is evaluated with its guidance. **Notice that this Public ST is also considered as a guidance to all users of the TOE.**

The guidance's of the Platform are listed hereafter:

Audience	Ref	Form factor of delivery
Guidance of developer of sensitive applications	[R31]	Electronic version
Guidance for application developer	[R32] [R35]	
Guidance Platform Flash Generation	[R36]	
Guidance for developer of patches using JPatch and patch loading	[R38]	
Guidance for developer of Native Code using JBox and Code loading	[R39]	
Guidance for pre-personalisation	[R33]	
Issuer of the platform that aims to load applications	[R34]	
Secure acceptance	[R37]	

Table 1: Guidance references

[R31]

If the applet needs to have a security certification, the applet must follow recommendations listed in the document.

If the applet is a basic application, and does not need security certification with the platform, the certificate of the Platform is still valid if the applet go through the verifier before the loading of this applet (the security function of the platform are still available).

This guide is provided to the developer and evaluator of a sensitive application to be certified.

[R32]

This document describes the ID-One COSMO V9.2 smart card usage. It describes how to use the card from an APDU commands point of view and gets onto topics such as common platform APDU commands, secure channels and security domains.

This document also describes the available Java Card and proprietary APIs for applet developers.

This guide is provided to the Developer of Java Card applications to be certified or not. It does not mandate any requirement for the developer; it constitute a help.

[R33]

This document describes the pre-personalisation steps that should be followed to correctly initialize the ID-One COSMO V9.2 platform. The TOE is finalized once it is pre-personalised.

[R34]

This document describes the loading procedure, in compliance with ANSSI Note 10 and the Java Card Open Platform protection profile.

The [R34] is provided to the Loading Authority, who is in charge of loading an application.

[R35]

This document summarizes the ID proprietary API (packages, classes, methods and fields) available on the Java Card Identity Platforms.

This guide is provided to the Developer of Java Card applications to be certified or not. It does not mandate any requirement for the developer; it constitute a help.

[R36]

This document specifies the guidance to correctly load the platform using the IC loader.

[R37]

This document specifies the secure acceptance of the components that comprise the TOE.

[R38]

Guidance for developer of patches using JPatch and patch loading

The Guidance is aimed to be used by IDEMIA R&D. The patch has to be developed only by IDEMIA R&D. Any patch has to be evaluated:

- by maintenance process if the patch does not impact the security
- or by reassessment if the intended patch impact the security of any of evaluated security function of the present scope.

[R39]

Guidance for developer of Native Code using JBox and Code loading

This guidance expresses the available interfaces for the developer of additional code required by the issuer. What ever is the code, the security and the certificate of the platform are not reconsidered.

1.7.4 Platform isolation

To ensure the platform isolation, the following verifications must be done:

1. For library packages intended to be loaded on the platform, the versioning rules described in the Java Card Virtual Machine Specification at chapter "Binary Compatibility" and chapter "Package Version" must be applied in particular to determine the binary compatibility or incompatibility of this package with a previous version. These rules are also summarized in "GlobalPlatform Card Composition Model Security Guidelines for Basic Applications" at chapter "Versioning".
2. The byte code verification (required for any package intended to be loaded on the platform) must be done using export files provided by IDEMIA.

Those verifications shall be done for all application intended to be loaded on the platform.

1.7.5 Applications

For sensitive application, the recommendations listed in **[R31]** are mandatory. The evaluator of the sensitive application, checks that the guidance is followed by the sensitive application developer.

The integrity and optionally the confidentiality of the application shall be maintained after the Off card verifier check or after the evaluation and the loading on the TOE.

This check shall be ensured by the organisational measures or by security mechanisms.
The platform is evaluated without applications.

1.8 TOE Description

The TOE is composed of software and hardware. The following chapters presents each part of the TOE.

1.8.1 Defensive Java Card Platform

The Java technology, embedded on the TOE, combines a subset of the Java programming language with a runtime environment optimized for smart cards and similar small-memory embedded devices.

The Java Card™ platform is a smart card platform enabled with Java Card™ technology (also called, for short, a “Java Card”). This technology allows multiple applications to run on a single card and provides facilities for secure interoperability of applications. Applications running on the Java Card platform (“Java Card applications”) are called applets.

The TOE is compliant with the version of the Java Card 3.0.5 classic edition, specified by three documents related to Java Card API, Java Card Runtime Environment and Java Card Virtual Machine Specifications, defined respectively in **[R6]**, **[R7]** and **[R8]**. The next paragraph introduces those three elements.

As the terminology is sometimes confusing, the term “Java Card System” has been introduced in that defines the set constituted by the Java Card RE, the Java Card VM and the Java Card API.

The Java Card System provides an intermediate layer between the operating system of the card and the applications. This layer allows applications written for one smart card platform enabled with Java Card technology to run on any other such platform.

The Java Card VM is a bytecode interpreter embedded in the smart card. The Java Card RE is responsible for card resource management, communication, applet execution, on-card system and applet security.

Applet isolation is achieved through the Java Card Firewall mechanism defined in **[R7]**. This mechanism confines an applet to its own designated memory area. Thus, each applet is prevented from accessing fields and operations related to objects owned by other applets, unless those applets provide a specific interface (shareable interface) for that purpose. This access control policy is enforced at runtime by the Java Card VM.

However, applet isolation cannot be entirely granted by the firewall mechanism if certain well-formedness conditions are not satisfied by loaded applications.

Therefore, a bytecode verifier (BCV) formally verifies those conditions. The BCV is out of the scope of the Java Card System defined in **[R5]**.

The IDEMIA platform implements dynamic Verifier that allows the platform to be defensive. Verifications are done during execution of the byte code.

And as this security target claims a demonstrable conformance to **[R5]**. The off card verifier is also used. All applications are verified by the latest Oracle off card verifier.

The Java Card API (JCAPI) provides classes and interfaces for the core functionality of a Java Card application. It defines the calling conventions by which an applet may access the JCRE and services such as, among others, I/O management functions, PIN and cryptographic specific management and the exceptions mechanism. The JCAPI is compatible with formal international standards, such as ISO/IEC 7816 and industry specific standards.

1.8.2 Global Platform

The TOE is compliant with the Global Platform 2.3 (GP) standard **[R13]** which provides a set of APIs and technologies to perform in a secure way, the operations involved in the management of the applications hosted by the card. Using GP maximizes the compatibility and the opportunities of communication as it becomes the current card management standard.

The main features addressed by GP are:

- The authentication of users through secure channels
- The downloading, installation removal, and selection for execution of Java Card applications
- The life cycle management of both the card and the applications
- The sharing of a global common PIN among all the applications installed on the card

These operations are addressed by a set of APIs used by the applications hosted on the card in order to communicate with the external world on a standard basis.

The version considered in this document is version 2.3 of the GP Card specification. The following GP functionalities, at least, are present within the TOE:

- Card content loading
- Extradition
- Asymmetric keys
- DAP support, Mandated DAP support
- DAP calculation with asymmetric cryptography
- Logical channels
- SCP02 support
- SCP03 support **[R12]**
- Support for contact and contactless cards different implicit selection on different interfaces and channels
- Support for Supplementary Security Domains
- Trusted path privileges
- Post-issuance personalisation of Security Domain **[R12]**
- Application personalisation **[R12]**
- Crypto algorithms as detailed in 1.8.2.2 Cryptographic features

1.8.3 Integrated Circuit (IC)

The IC SLC52 is an IFX dual interface component that supports ISO/IEC 14443 Type A and type B. It is a hardware device composed of a processing unit, memories, security components and I/O interfaces. It has to implement security features able to ensure:

- The confidentiality and the integrity of information processed and flowing through the device,
- The resistance of the security IC to external attacks such as physical tampering, environmental stress or any other attacks that could compromise the sensitive assets stored or flowing through it.

The IC configuration used in this project doesn't include any optional software or optional toolbox. This IC is certified by the German BSI certification body (BSI-DSZ-CC-1110-V2-2019). More information regarding the components is available in the public security target of the chip **[R26]**.

1.8.4 Operating System (OS)

The TOE relies on an Operating System (OS) which is an embedded piece of software loaded into the Security IC. The Operating System manages the features and resources provided by the underneath chip. It is, generally divided into two levels:

- 1) Low level:
 - a) Drivers related to the I/O, RAM, SOLID Flash, and any other hardware component present on the Security IC
- 2) High level:
 - a) Protocols and handlers to manage I/O
 - b) Memory and file manager
 - c) Cryptographic services and any other high level services provided by the OS

1.8.4.1 BIOS

The BIOS is an interface between hardware and native components like VM and APIs. The BIOS implements the following functionalities:

- APDU management, using T=0, T=1 and T=CL protocols (Type A and type B)
- Timer management
- Exceptions management
- Transaction management
- Flash memory access

1.8.4.2 Cryptographic features

The following crypto services are included in the OS:

Cryptographic Services	Comments
RSA from 1024 to 4096-bits by step of 256-bits	References are standard ones
ECC with 160, 192, 256, 384, 512 and 521-bits key sizes	
TDES with 56, 112 and 168-bits key sizes	
AES with 128, 192, 256 key sizes	
SHA-1, SHA 224, 256, 384 and 512 (for data integrity only does not provide confidentiality)	
RSA, ECC Key generation	
CRC 16 and CRC 32 (for data integrity only does not provide confidentiality)	
RNG CTR_DRBG SP800-90	
RSA signature/verification	Based on supported RSA key sizes
ECDSA signature/verification	Based on supported ECC key sizes
ECDH	
AES secure messaging	References are standard ones
TDES secure messaging	
HMAC (64 bits up to 1016 bits)	

1.8.4.3 Virtual Machine

The Virtual Machine, which is compliant with the Java Card 3.0.5 classic edition, interprets the byte code of Java Card applets.

The Virtual Machine supports logical channels; this means that it allows an applet to be selected on a channel, while a different applet is selected on another channel.

It also supports secure execution of applets loaded and stored in FLASH.

The Virtual Machine is activated upon the selection of an applet.

1.8.4.4 The Java Card Runtime Environment

The Java Card Runtime Environment (JCRC) contains the Java Card Virtual Machine (VM), the Java Card Application Programming Interface (API) classes and industry-specific extensions, and support services. For details please refer to reference [R7].

1.8.4.5 APIs

The APIs, compliant with the Java Card 3.0.5 classic edition, support key generation, Key Agreement, signature, ciphering of messages and proprietary IDEMIA API.

Proprietary APIs [R35] have been developed like ISOSecureMessaging to assure the data are exchanged in confidentiality and integrity; utilBER_Reader to read BER-TLV; SecureStore to store integrity sensitive information, SAC (to perform the PACE access control) API for SAC computation that are used to compute generic or integrated mapping.

1.8.4.6 Open and isolating Platform

This security target claims conformance to the Application Note 10 on Open and Isolating platform, issued by ANSSI [R19].

An "open platform" can host new applications:

- Before its delivery to the end user (during phases 4, 5 or 6 of the traditional smartcard lifecycle). Such loadings are called "pre-issuance".
- After its delivery to the end user (phase 7). Such loadings are called "post-issuance".

An "isolating platform" is a platform that maintains the separation of the execution domains of all embedded applications on a platform, as of the platform itself. "Isolation" refers here to domain separation of applications as well as protection of application's data.

1.8.4.7 Resident Application

It provides a native code application, with a basic main dispatcher, to receive the card commands and dispatch them to the application and module functions to implement the application commands.

It also deals with the Card Manufacturer authentication.

The dispatcher is always activated. Commands for administration are only available during prepersonalisation phase.

1.8.4.8 Applets

Applets bytecodes shall go thru the latest Oracle and IDEMIA off card verifiers before the loading.

The platform evaluation shall identify, if any, recommendations in order to maintain isolation properties. These recommendations then shall be followed by the applet developer and shall be checked before loading.

1.8.4.9 JBox

The JBox aims to embed a Third Party Library (TPL) that can be triggered using proprietary Java Card API. These elements are described as follows:

- Applets invoke TPL via a proprietary Java Card JBox API. It is a proprietary package. Notice that [R5] states that there is no difference between native (TPL in our case) and interpreted methods in their interface or invocation mechanism. Consequently, all the SFRs related to the Java Card API remains useful for the Java Card JBox API.
- TPL is native software which is delivered by third party. It is flashed/loaded as a java card package in card during the development phase (manufacturing, pre-personalization or personalization) or during the usage phase thanks to the GlobalPlatform features with DAP. TPL can be loaded through ISD or SSD (with mandatory DAP). Loading and verification method may vary depending on phases and environment. Once loaded the package is linked. The link is composed of one entry point only that is defined at a fixed address. Notice that TPL calls shared memory to access to the data exchanged with the platform.

- The JBox is a native layer that manages the security around the execution of the TPL; i.e. it checks all the data exchanges between the Operating System and the TPL and it configures the hardware and software to make the TPL running safely for the platform. JBox uses the IC security functions: at least the MMU to switch context when executing the native code. Consequently, its implementation shall follow the IC security guidelines. The data are exchanged between through a shared memory located in Memory Manager.
- The context manages the execution environment of a piece of code (NVM, RAM, and resource accesses, etc.). Two contexts are defined: Platform Context and TPL Context. Notice that the JBox is the bridge between the platform context and the TPL context.
- Platform Context is dedicated to the platform execution. It must not access: (i) the TPL code; (ii) the TPL data except through the shared memory.
- TPL Context is dedicated to the TPL execution and the part of the JBox responsible of execution of the TPL. It must not access: (i) the platform code, except through the authorized Native services (the available operations, etc.); (ii) the platform data, except through shared memory.

It should be noticed that from a Java Card system point a view, there is no difference between native code (TPL in our case) and interpreted methods in their interface or invocation mechanism **[R5]**. Hence, a Java Card exception (specific or standard) will be triggered in case of runtime errors (no JBox configured on the product, empty TPL, etc.)

As the native code is converted to a Java Card code before its loading, the loading process of native code is the classical one used for Java Card applications loading and uses the same TOE security mechanisms. The new native code execution is made on its own context. If the issuer allows the native applications to be loaded, this operation occurs in any phase of the product life cycle indicated in section 1.11.

1.8.4.10 JPatch

The platform allows to load patches at prepersonalisation, personalisation or use phase. The patches installed cannot be bypassed. The TOE identification is updated to take into account the patches installed.

The loading of any patch shall follow the procedure of impact analysis defined in **[R4]**.

If the patch reconsiders the security of the TOE, a reassessment of the TOE is mandatory, otherwise a maintenance process is used.

1.9 Major Security Features of the TOE

The main goal of the TOE is to provide a sound and secure execution environment to critical assets that need to be protected against unauthorized disclosure and/or modification.

The TOE with its security function has to protect itself and protect applets from bypassing, abuse or tampering of its services that could compromise the security of all sensitive data. Even if the applets are not in the scope of this evaluation.

Atomic Transactions

The TOE shall provide a transaction mechanism. It shall execute a sequence of modifications and allocations on the persistent memory so that either all of them are completed, or the TOE behaves as if none of them had been attempted.

The transaction mechanism shall permit to update internal TSF data as well as to perform different functions of the TOE, like installing a new package on the card.

This mechanism shall be available for applet instances

The TOE shall perform the necessary actions to roll back to a safe state upon interruption.

Card Content Management

The TOE shall control the loading, installation, and deletion of packages and applet instances. To remove the code of a package from the card, or to definitely deactivate an applet instance, so that it becomes no longer selectable; it shall perform physical removal of those packages and applet data stored in memories (except applet including in OS package in Flash memory that shall only be logically removed).

Card Management Environment

This function shall initialize and manage the internal data structure of the Card Manager. During the initialization phase of the card, it creates the Installer and the Applet Deletion Manager and initializes their internal data structures. The internal data structure of the Card Manager includes the Package and Applet Registries, which respectively contains the currently loaded packages and the currently installed applet instances, together with their associated AIDs.

This function shall also be in charge of dispatching the APDU commands to the applet instances installed on the card and keeping trace of the currently active ones.

It therefore handles sensitive TSF data of other security functions, like the Firewall.

Cardholder Verification

The TOE shall implement mechanisms to identify and authenticate the user of the product. This function is available to applet instances.

Clearing of sensitive information

The TOE shall ensure that no residual information is available from memories, and shall protect sensitive information that is no longer used. The Platform has to securely clear and destroy this information. It concerns PINs, keys, sensitive data and buffer APDU.

This function is also available to applet.

DAP Verification

An Application Provider may require that its Application code to be loaded on the card shall be checked for integrity and authenticity. The DAP Verification privilege of the Application Provider's Security Domain shall provide this service on behalf of the Application Provider. A Controlling Authority may require that all Application code to be loaded onto the card shall be checked for integrity and authenticity. The Mandated DAP Verification privilege of the Controlling Authority's Security Domain shall provide this service on behalf of the Controlling Authority.

Data coherency

As coherency of data should be maintained, and as power is provided by the CAD and might be stopped at all moment (by tearing or attacks), a transaction mechanism need to be implemented.

When updating data, before writing the new ones, the old ones are saved in a specific memory area. If a failure appears, at the next start-up, if old data are valid in the transaction area, the system restores them for staying in a coherent state.

Data integrity

Sensitive data have to be protected from modifications: keys, pins, patch code and sensitive applet data.

Encryption and Decryption

The TOE provides the applet instances with a mechanism for encrypting and decrypting the contents of a byte array.

Ciphering operations are implemented to resist environmental stress and glitches and include measures for preventing information leakage through covert channels.

Entity authentication/secure Channel

Off-card entity authentication is achieved through the process of initiating a Secure Channel and provides assurance to the card that it is communicating with an authenticated off-card entity.

If any step in the off-card authentication process fails, the process shall be restarted (i.e. new session keys generated).

The Secure Channel initiation and off-card entity authentication implies the creation of session keys derived from card static key(s).

Exception

In case of abnormal event: data unavailable on an allocation or illegal access to a data, the system shall own an internal mechanism allowing it to stop the code execution and raise an exception.

Firewall

The TOE with the Firewall shall control information flow at runtime. It shall ensure controls object sharing between different applet instances, and between applet instances and the Java Card RE.

GP_Dispatcher

While a Security Domain or Card Manager is selected, the TOE shall test for every command if Security Domain Owner authentication is required. If a secure channel is opened, the TOE tests according to the Security Domain state and the Card state for every command if secure messaging is required.

Hardware operating

The TOE shall boot after the IC has successfully powered-up. The TOE boot operations shall ensure the correct initialization of the TOE functionalities and the integrity of the code and data.

The TOE shall monitor IC detectors (e.g. out-of-range voltage, temperature, frequency, active shield, memory aging) and shall provide automatic answers to potential security violations through interruption routines that leave the device in a secure state.

Key Access

The TOE shall enforce secure access to all cryptographic keys on the card: RSA keys, DES keys, EC keys, AES keys

Key Agreement

The TOE shall provide to applet instances a mechanism for supporting key agreement algorithms such as EC Diffie-Hellman.

Key destruction

The TOE shall provide secure key destruction, such as keys cannot be retrieved from erased data.

Key Distribution

The TOE shall enforce the distribution of all the cryptographic keys of the card using a specific method.

Key Generation

The TOE shall enforce the creation and the on card generation of all the cryptographic keys of the card using a specific method.

Key management

The TOE shall manage key set: Loading keys, adding a new key set (version and value of the key) or updating a key set (update key value).

Manufacturer Authentication

During prepersonalisation phase, manufacturer authentication at the beginning of a communication session shall be mandatory prior to any relevant data being transferred to the TOE.

Memory failure

This security functionality is in charge of the management of bad usage of the memory.

Message Digest

The TOE shall provide the applet instances with a mechanism for generating an (almost) unique value for the contents of a byte array. This value can be used as a short representative of the information contained in the whole byte array.

For Hashing algorithms that do not pad the messages, the TSF checks that the information is block aligned before computing its hash value.

Pre-personalisation and Patching

This function shall permit to pre-initialize the internal data structures, to load the configuration of the card and to load patch code (with **JPatch**) if needed in pre-personalization.

The TOE shall allow loading of TOE sensitive data: configuration data. Configuration data can contain patches. The TOE shall check the integrity of the incoming data. Unless stated otherwise, the origin of the incoming data shall be ensured by organisational means. The TOE shall ensure that TOE code and patches installed after delivery cannot be bypassed. The TOE identification shall take into account the patches installed after delivery.

JPatch at use phase

The loading functionality of patches is also available in use phase, once installed the TOE identification shall take into account the patches installed after delivery.

JBox

This TOE functionality provides the user of the product some defined interfaces to create its own native application to load at on the platform. The application created is confined in its own execution environment and in its dedicated NVM and RAM. The JBox functionalities can be deactivated at any time of the produit lifecycle.

Random Number

This TOE functionality provides the card manager, the resident application and the applets a mechanism for generating challenges and key values.

The Number Generator is a combination of hardware and software RNG. The RNG is compliant with **[R14]**.

Resident Application dispatcher

During prepersonalisation phase, this function shall verify for every command if manufacturer authentication is required.

Runtime Verifier

This security functionality ensures the secure processing of the stack, heap and transient by ensuring additional controls.

Security functions of the IC

This TOE functionality ensures the correct execution of the IC functionalities.

Signature

This TSF shall provide the applet instances with a mechanism for generating an electronic signature of the contents of a byte array and verifying an electronic signature contained in a byte array.

An electronic signature is made of a hash value of the information to be signed, encrypted with a secret key. The verification of the electronic signature includes decrypting the hash value and checking that it actually corresponds to the block of signed bytes. Signature operations shall be implemented to resist environmental stress and glitches and include measures for preventing information leakage through covert channels.

Unobservability

The TOE shall use and manipulate sensitive information without revealing any element of this information.

CRC 16

The TOE provides this security function to guarantee the integrity of the sensitive objects (such as keys or PINs) store in the card.

1.10 NON-TOE HW/SW/FW Available to the TOE

The only non-TOE component required on the product is the bytecode verifier. The bytecode verifier is a program that performs static checks on the bytecodes of the methods of a CAP file.

Bytecode verification is a key component of security: applet isolation, for instance, depends on the file satisfying the properties a verifier checks to hold. A method of a CAP file that has been verified shall not contain, for instance, an instruction that allows forging a memory address or an instruction that makes improper use of a return address as if it were an object reference. In other words, bytecodes are verified to hold up to the intended use to which they are defined. Even if a dynamic verifier is implemented in the product, this TOE considers also static bytecode verification; it has to be performed on the host at off-card verification and prior to the loading of the file on the card in any case.

1.11 Life-Cycle

The following description (see Tables 2 and 3) introduces generics but fine-grained 3 options for the life-cycle of secure smartcard products. These 3 options are compliant to standard smartcard life-cycle as defined in **[R5]** and **[R24]**. Since applets loading is outside the TOE, this document focuses on the Java Card platform (the TOE) life cycle which is part of the smart card product life cycle. The intent of the more fine-grained options is to cover the specific aspects of new technologies like platform loading in a comprehensive way and to add some flexibility with respect to the separation of responsibilities between the various parties involved. The smartcard product life-cycle is decomposed in 7 phases that describe the competent authorities for each of these phases.

Phase	Phase name	Actors	Covered by
1	Security IC Embedded Software development	IDEMIA R&D (Courbevoie and Pessac)	ALC[PLT]
2	Security IC Development	Infineon	ALC[IC]
3	Security IC Manufacturing + Platform Loading (in case of option a)	Infineon	ALC[IC]
4	Security IC Packaging	Infineon or another agent	-
5	Platform Loading (in case of option b) using IC Package 2)	IDEMIA plant or another agent	AGD_PRE
6	Pre-personalisation & Personalisation Optional code can also be loaded to upgrade the TOE in this step	IDEMIA plant or another agent	AGD_PRE
7	Operational Usage Optional code can also be loaded to upgrade the TOE in this step	The end user	AGD_OPE

TOE Delivery

Table 2: TOE Life (options a and b)

Phase	Phase name	Actors	Covered by
1	Security IC Embedded Software development	IDEMIA R&D (Courbevoie and Pessac)	ALC[PLT]
2	Security IC Development	Infineon	ALC[IC]
3	Security IC Manufacturing	Infineon	ALC[IC]
4	Security IC Packaging	Infineon or another agent	-
5	Platform Loading (in case of option c) using IC Package 1)	IDEMIA plant (Haarlem, Vitre, Ostrava, Shenzhen and Noida)	ALC[PLT]
6	Pre-personalisation & Personalisation Optional code can also be loaded to upgrade the TOE in this step	IDEMIA plant (Haarlem, Vitre, Ostrava, Shenzhen and Noida) or another agent	AGD_PRE
7	Operational Usage Optional code can also be loaded to upgrade the TOE in this step	The end user	AGD_OPE

TOE Delivery

Table 3: TOE Life (option c)

Note:

ALC[PLT] refers to IDEMIA audited sites

ALC[IC] refers to the IFX audited sites

Notice that the IC loader shall be locked during the pre-personalisation and personalization phase; i.e. before the end-user delivery.

1.11.1 Phase 1: Security IC Embedded Software development

The platform Development is performed during Phase 1. This includes Java Card System (JCS) conception, design, implementation, testing and documentation. The development fulfilled requirements of the final product, including conformance to Java Card Specifications, and recommendations of the user guidance. The development is made in a controlled environment that avoids disclosure of source code, data and any critical documentation and that guarantees the integrity of these elements. The evaluation of the TOE includes the platform development environment.

The code and the associated data are sent

- To the IC manufacturer for loading on the IC, option a).
- To IDEMIA or third party sites, option b).
- To IDEMIA audited sites, option c).

1.11.2 Phase 2: Security IC Development

The Composite Product life cycle covers Security IC development which is described in the IC ST identification (see [R26]).

1.11.3 Phase 3 and phase 4: Security IC Manufacturing and packaging

The Phase 3 of the Composite Product life cycle covers the IC production and when required for option a) the loading of the platform code on the flash memory. This loading is done thanks to the IC security functions.

For options a) and b), the TOE delivery is at the end of phase 3 at any form factor of the chip (on wafer, modules, inlay, cards PVC/PETF or on die...).

1.11.4 Phase 5: Composite Product Integration

Where the IC is directly delivered without the OS, the loading takes place at this phase. Two options are covered in this phase:

- Option b) At IDEMIA or third party sites (non audited sites), only package 2 of the IC is available. The loading is done after mutual authentication, only authorised users are able to load the Platform Code.
- Option c) At only IDEMIA audited sites, the loading is done thanks to package 1 of the IC.

In case of option c, the TOE delivery is done at this step.

1.11.5 Phase 6: Composite Product Personalisation

See preparatives guidances.

1.11.6 Phase 7: Operational Usage

See operational guidances.

2 CONFORMANCE CLAIM

2.1 Common Criteria Conformance Claim

This security Target claims conformance to the Common Criteria specified in [R2] and [R3]. The Conformance to the Common Criteria is claimed as follows:

Common Criteria	Conformance rationale
Part 2 [R2]	Conformance to the extended part. FCS_RNG.1: "Random number generation"
Part 3 [R3]	Compliant to EAL5 +, augmented with ALC_DVS.2: "Sufficiency of security measures" (highest component) AVA_VAN.5: "Advanced methodical vulnerability analysis" (highest component)

Table 4: CC conformance rationale

2.2 Protection Profile Claim

This security target claims a demonstrable conformance to: [R5]

This security target is a composite security target, including the IC security target.

However, the security problem definition, the objectives, and the SFR of the IC are not described in this document.

As the SCP is included in the TOE, the objectives for the operational environment OE.SCP.RECOVERY, OE.SCP.SUPPORT and OE.SCP.IC are changed into the following TOE Objectives: O.SCP.RECOVERY, O.SCP.SUPPORT and O.SCP.IC.

As the card manager becomes part of the TOE, the objective for the operational environment OE.CARD-MANAGEMENT is moved into the TOE objective O.CARD_MANAGEMENT.

Notice that OE.APPLET is just clarified in this ST to taken into account JBox mechanism.

There are extra TOE objectives to provide additional services to applications. But such extension has no impact on PP coverage.

There are extra Threats, OSP, Assumptions, TOE objectives and SFRs without conflict with [R5].

The RMI is not supported by the TOE, all related Threats, OSP, Assumptions, objectives and SFRs are then removed.

Finally as no other modification was done, we can conclude that the conformance is demonstrated

The product is in conformance with the minimum assurance level EAL5+ augmented with ALC_DVS.2 and AVA_VAN.5 described in paragraph 3.2 of the Protection Profile by claiming an evaluation level EAL5+ augmented with ALC_DVS.2 and AVA_VAN.5.

2.3 Conformance rationale

This paragraph presents the consistency between the security target and the Java Card System Open configuration profile Protection Profile.

2.3.1 TOE SAR conformance

The protection profile require an assurance level of level EAL4 augmented with AVA_VAN.5 and ALC_DVS.2. This security target considers an assurance level EAL5 augmented with AVA_VAN.5 and ALC_DVS.2, which still complies with the requirements of the protection profiles.

2.3.2 TOE Type conformance

The TOE type is in conformance with the TOE type described in the protection profile.

All SPDs of the PP [5] are included in this TOE. Justification for the conformance is done in following chapters.

2.3.3 SPD Statement Consistency

2.3.3.1 Assets

All assets from the protection profile are included in the security target. Other assets have been added (see section 4.1.3).

2.3.3.2 Threats

All threats from the protection profile are included in the security target. Other threats have been added (see section 4.3.9).

2.3.3.3 OSPs

All OSPs from the protection profile is included in the security target, no additional OSP have been added.

2.3.3.4 Assumptions

All the assumptions from the protection profile have been added in the security target, except A.DELETION.

A.DELETION has been removed from the security target because the deletion of applets is in the scope of the evaluation, as O.CARD_MANAGEMENT is an objective in this security target. Other assumptions have been added (see section 4.5.1).

2.3.3.5 Objectives

2.3.3.6 Security Objectives for the TOE

All the security objectives for the TOE from the protection profile are included in the security target. Other security objectives for the TOE have been added (see section 5.1.6).

2.3.3.7 Security Objectives for the Operational Environment

All the security objectives for the operational environment from the protection profile are included in the security target. Notice that the OE.APPLLET is just clarified in this ST to taken into account the JBox mechanism. In fact, The loading and execution of native code is allowed only via the JBox mechanism which is part of the present evaluation.

Some security objectives for the operational environment has been transformed in security objectives for the TOE, the rationale is presented in section section 2.2. Other security objectives for the operational environment have been added (see section 5.2.1).

2.3.3.8 Security Functional Requirements

All SFRs from the protection profile have been added in the security target. Other SFRs have been added to cover supplemental features:

- § 7.1.5.2 for SFRs added for Card Manager,
- § 7.1.5.3 for SFRs added for Resident Application,
- § 7.1.5.4 for SFRs added for SmartCard Platform,
- § 7.1.5.5 for SFRs added for the applets,
- § 7.1.5.6 for SFRs added for Runtime Verification
- § 7.1.6 for SFRs added for JBox.

3 Security aspects

This chapter describes the main security issues of the Java Card System and its environment addressed in this Security Target, called "security aspects", in a CC-independent way. In addition to this, they also give a semi-formal framework to express the CC security environment and objectives of the TOE. They can be instantiated as assumptions, threats, objectives (for the TOE and the environment) or organizational security policies.

For instance, we will define hereafter the following aspect:

#.OPERATE (1) The TOE must ensure continued correct operation of its security functions. (2) The TOE must also return to a well-defined valid state before a service request in case of failure during its operation.

TSFs must be continuously active in one way or another; this is called "OPERATE". The Security Target may include an assumption, called "A.OPERATE", stating that it is assumed that the TOE ensures continued correct operation of its security functions, and so on. However, it may also include a threat, called "T.OPERATE", to be interpreted as the negation of the statement **#.OPERATE**. In this example, this amounts to stating that an attacker may try to circumvent some specific TSF by temporarily shutting it down. The use of "OPERATE" is intended to ease the understanding of this document.

This section presents security aspects that will be used in the remainder of this document. Some being quite general, we give further details, which are numbered for easier cross-reference within the document. For instance, the two parts of **#.OPERATE**, when instantiated with an objective "O.OPERATE", may be met by separate SFRs in the rationale. The numbering then adds further details on the relationship between the objective and those SFRs.

3.1 Confidentiality

#.CONFID-APPLI-DATA:

Application data must be protected against unauthorized disclosure. This concerns logical attacks at runtime in order to gain read access to other application's data.

#.CONFID-JCS-CODE:

Java Card System code must be protected against unauthorized disclosure. Knowledge of the Java Card System code may allow bypassing the TSF. This concerns logical attacks at runtime in order to gain a read access to executable code, typically by executing an application that tries to read the memory area where a piece of Java Card System code is stored.

#.CONFID-JCS-DATA:

Java Card System data must be protected against unauthorized disclosure. This concerns logical attacks at runtime in order to gain a read access to Java Card System data. Java Card System data includes the data managed by the Java Card RE, the Java Card VM and the internal data of Java Card platform API classes as well.

3.2 Integrity

#.INTEG-APPLI-CODE:

Application code must be protected against unauthorized modification. This concerns logical attacks at runtime in order to gain write access to the memory zone where executable code is stored. In post-issuance application loading, this threat also concerns the modification of application code in transit to the card.

#.INTEG-APPLI-DATA:

Application data must be protected against unauthorized modification. This concerns logical attacks at runtime in order to gain unauthorized write access to application data. In post-issuance application loading, this threat also concerns the modification of application data contained in a package in transit

to the card. For instance, a package contains the values to be used for initializing the static fields of the package.

#.INTEG-JCS-CODE:

Java Card System code must be protected against unauthorized modification. This concerns logical attacks at runtime in order to gain write access to executable code.

#.INTEG-JCS-DATA:

Java Card System data must be protected against unauthorized modification. This concerns logical attacks at runtime in order to gain write access to Java Card System data. Java Card System data includes the data managed by the Java Card RE, the Java Card VM and the internal data of Java Card API classes as well.

3.3 Unauthorized executions

#.EXE-APPLI-CODE:

Application (byte) code must be protected against unauthorized execution. This concerns (1) invoking a method outside the scope of the accessibility rules provided by the access modifiers of the Java programming language ([JAVASPEC], §6.6); (2) jumping inside a method fragment or interpreting the contents of a data memory area as if it was executable code;.

#.EXE-JCS-CODE:

Java Card System bytecode must be protected against unauthorized execution. Java Card System bytecode includes any code of the Java Card RE or API. This concerns (1) invoking a method outside the scope of the accessibility rules provided by the access modifiers of the Java programming language ([JAVASPEC], §6.6); (2) jumping inside a method fragment or interpreting the contents of a data memory area as if it was executable code. Note that execute access to native code of the Java Card System and applications is the concern of #.NATIVE.

#.FIREWALL:

The Firewall shall ensure controlled sharing of class instances, and isolation of their data and code between packages (that is, controlled execution contexts) as well as between packages and the JCRE context. An applet shall not read, write, compare a piece of data belonging to an applet that is not in the same context, or execute one of the methods of an applet in another context without its authorization.

#.JBox_FW:

The JBox_FW shall ensure the isolation between the TSF of the JCS and the TPL. JBox shall control the acces to the loaded native code (O.TPL_Content). It shall also ensure the isolation of TPL data and code and shall confine its access and its execution in the dedicated NVM and RAM.

#.NATIVE:

Because the execution of native code is outside of the JCS TSF scope, it must be secured so as to not provide ways to bypass the TSFs of the JCS. Loading of native code, which is as well outside those TSFs, is submitted to the same requirements. Should native software be privileged in this respect, exceptions to the policies must include a rationale for the new security framework they introduce.

The Native Third Party Library library (TPL) shall not bypass the TSFs of the JCS.

The services available to the native code thru JBox shall be controlled and restricted to the OP.NATIVE_INTERFACE_CALL operations. When objects are handled by those service methods, the Java Card Firewall access control is still enabled to restrict the access to objects owned by the currently active applet context.

Any other accesses to NVM or RAM shall be controlled by the MMU and the OS access control.

3.4 Bytecode verification

#.VERIFICATION

Bytecode must be verified prior to being executed. Bytecode verification includes (1) how well-formed CAP file is and the verification of the typing constraints on the bytecode, (2) binary compatibility with installed CAP files and the assurance that the export files used to check the CAP file correspond to those that will be present on the card when loading occurs.

3.4.1 CAP file verification

Bytecode verification includes checking at least the following properties: (3) bytecode instructions represent a legal set of instructions used on the Java Card platform; (4) adequacy of bytecode operands to bytecode semantics; (5) absence of operand stack overflow/underflow; (6) control flow confinement to the current method (that is, no control jumps to outside the method); (7) absence of illegal data conversion and reference forging; (8) enforcement of the private/public access modifiers for class and class members; (9) validity of any kind of reference used in the bytecodes (that is, any pointer to a bytecode, class, method, object, local variable, etc actually points to the beginning of piece of data of the expected kind); (10) enforcement of rules for binary compatibility (full details are given in [R8], [R28], [R29]). The actual set of checks performed by the verifier is implementation-dependent, but shall at least enforce all the “must clauses” imposed in [R8] on the bytecodes and the correctness of the CAP files’ format.

As most of the actual Java Card VMs do not perform all the required checks at runtime, mainly because smart cards lack memory and CPU resources, CAP file verification prior to execution is mandatory. On the other hand, there is no requirement on the precise moment when the verification shall actually take place, as far as it can be ensured that the verified file is not modified thereafter. Therefore, the bytecodes can be verified either before the loading of the file on to the card or before the installation of the file in the card or before the execution, depending on the card capabilities, in order to ensure that each bytecode is valid at execution time. This Security Target assumes bytecode verification is performed off-card.

Another important aspect to be considered about bytecode verification and application downloading is, first, the assurance that every package required by the loaded applet is indeed on the card, in a binary-compatible version (binary compatibility is explained in [R8] §4.4), second, that the export files used to check and link the loaded applet have the corresponding correct counterpart on the card.

3.4.2 Integrity and authentication

Verification off-card is useless if the application package is modified afterwards. The usage of cryptographic certifications coupled with the verifier in a secure module is a simple means to prevent any attempt of modification between package verification and package installation.

Once a verification authority has verified the package, it signs it and sends it to the card. Prior to the installation of the package, the card verifies the signature of the package, which authenticates the fact that it has been successfully verified. In addition to this, a secured communication channel is used to communicate into the card, ensuring that no modification has been performed on it.

Alternatively, the card itself may include a verifier and perform the checks prior to the effective installation of the applet or provide means for the bytecodes to be verified dynamically. On-card bytecode verifier is out of the scope of this Security Target.

3.4.3 Linking and authentication

Beyond functional issues, the installer ensures at least a property that matters for security: the loading order shall guarantee that each newly loaded package references only packages that have been already loaded on the card. The linker can ensure this property because the Java Card platform does not support dynamic downloading of classes.

3.5 Card management

#.CARD_MANAGEMENT:

(1) The card manager (CM) shall control the access to card management functions such as the installation, update or deletion of applets. (2) The card manager shall implement the card issuer's policy on the card.

#.INSTALL:

(1) The TOE must be able to return to a safe and consistent state when the installation of a package or an applet fails or be cancelled (whatever the reasons). (2) Installing an applet must have no effect on the code and data of already installed applets. The installation procedure should not be used to bypass the TSFs. In short, it is an atomic operation, free of harmful effects on the state of the other applets. (3) The procedure of loading and installing a package shall ensure its integrity and authenticity.

#.SID:

(1) Users and subjects of the TOE must be identified. (2) The identity of sensitive users and subjects associated with administrative and privileged roles must be particularly protected; this concerns the Java Card RE, the applets registered on the card, and especially the default applet and the currently selected applet (and all other active applets in Java Card System 2.2.x). A change of identity, especially standing for an administrative role (like an applet impersonating the Java Card RE), is a severe violation of the Security Functional Requirements (SFR). Selection controls the access to any data exchange between the TOE and the CAD and therefore, must be protected as well. The loading of a package or any exchange of data through the APDU buffer (which can be accessed by any applet) can lead to disclosure of keys, application code or data, and so on.

#.OBJ-DELETION:

(1) Deallocation of objects should not introduce security holes in the form of references pointing to memory zones that are not longer in use, or have been reused for other purposes. Deletion of collection of objects should not be maliciously used to circumvent the TSFs. (2) Erasure, if deemed successful, shall ensure that the deleted class instance is no longer accessible.

#.DELETION:

(1) Deletion of installed applets (or packages) should not introduce security holes in the form of broken references to garbage collected code or data, nor should they alter integrity or confidentiality of remaining applets. The deletion procedure should not be maliciously used to bypass the TSFs. (2) Erasure, if deemed successful, shall ensure that any data owned by the deleted applet is no longer accessible (shared objects shall either prevent deletion or be made inaccessible). A deleted applet cannot be selected or receive APDU commands. Package deletion shall make the code of the package no longer available for execution. (3) Power failure or other failures during the process shall be taken into account in the implementation so as to preserve the SFRs. This does not mandate, however, the process to be atomic. For instance, an interrupted deletion may result in the loss of user data, as long as it does not violate the SFRs.

The deletion procedure and its characteristics (whether deletion is either physical or logical, what happens if the deleted application was the default applet, the order to be observed on the deletion steps) are implementation-dependent. The only commitment is that deletion shall not jeopardize the TOE (or its assets) in case of failure (such as power shortage).

Deletion of a single applet instance and deletion of a whole package are functionally different operations and may obey different security rules. For instance, specific packages can be declared to be undeletable (for instance, the Java Card API packages), or the dependency between installed packages may forbid the deletion (like a package using super classes or super interfaces declared in another package).

3.6 Services

#.ALARM:

The TOE shall provide appropriate feedback upon detection of a potential security violation. This particularly concerns the type errors detected by the bytecode verifier, the security exceptions thrown by the Java Card VM, or any other security-related event occurring during the execution of a TSF.

#.OPERATE:

(1) The TOE must ensure continued correct operation of its security functions. (2) In case of failure during its operation, the TOE must also return to a well-defined valid state before the next service request.

#.RESOURCES:

The TOE controls the availability of resources for the applications in order to prevent unauthorized denial of service or malfunction of the TSFs. This concerns both execution (dynamic memory allocation) and installation (static memory allocation) of applications and packages.

#.CIPHER:

The TOE shall provide a means to the applications for ciphering sensitive data, for instance, through a programming interface to low-level, highly secure cryptographic services. In particular, those services must support cryptographic algorithms consistent with cryptographic usage policies and standards.

#.KEY-MNGT:

The TOE shall provide a means to securely manage cryptographic keys. This includes: (1) Keys shall be generated in accordance with specified cryptographic key generation algorithms and specified cryptographic key sizes, (2) Keys must be distributed in accordance with specified cryptographic key distribution methods, (3) Keys must be initialized before being used, (4) Keys shall be destroyed in accordance with specified cryptographic key destruction methods.

#.PIN-MNGT:

The TOE shall provide a means to securely manage PIN objects. This includes: (1) Atomic update of PIN value and try counter, (2) No rollback on the PIN-checking function, (3) Keeping the PIN value (once initialized) secret (for instance, no clear-PIN-reading function), (4) Protection of PIN's security attributes (state, try counter, try limit...) integrity.

#.SCP:

The smart card platform must be secure with respect to the SFRs. Then: (1) After a power loss, RF signal loss or sudden card removal prior to completion of some communication protocol, the SCP will allow the TOE on the next power up to either complete the interrupted operation or revert to a secure state. (2) It does not allow the SFRs to be bypassed or altered and does not allow access to other low-level functions than those made available by the packages of the Java Card API. That includes the protection of its private data and code (against disclosure or modification) from the Java Card System. (3) It provides secure low-level cryptographic processing to the Java Card System. (4) It supports the needs for any update to a single persistent object or class field to be atomic, and possibly a low-level transaction mechanism. (5) It allows the Java Card System to store data in "persistent technology memory" or in volatile memory, depending on its needs (for instance, transient objects must not be stored in non-volatile memory). The memory model is structured and allows for low-level control accesses (segmentation fault detection). (6) It safely transmits low-level exceptions to the TOE (arithmetic exceptions, checksum errors), when applicable. Finally, it is required that (7) the IC is designed in accordance with a well-defined set of policies and standards (for instance, those specified in [R24]), and will be tamper resistant to actually prevent an attacker from extracting or altering security data (like cryptographic keys) by using commonly employed techniques (physical probing and sophisticated analysis of the chip). This especially matters to the management (storage and operation) of cryptographic keys.

#.TRANSACTION:

The TOE must provide a means to execute a set of operations atomically. This mechanism must not jeopardise the execution of the user applications. The transaction status at the beginning of an applet session must be closed (no pending updates).

4 Security Problem Definition

4.1 Assets

Assets are security-relevant elements to be directly protected by the TOE. Confidentiality of assets is always intended with respect to un-trusted people or software, as various parties are involved during the first stages of the smart card product life-cycle; details are given in threats hereafter.

Assets may overlap, in the sense that distinct assets may refer (partially or wholly) to the same piece of information or data. For example, a piece of software may be either a piece of source code (one asset) or a piece of compiled code (another asset), and may exist in various formats at different stages of its development (digital supports, printed paper). This separation is motivated by the fact that a threat may concern one form at one stage, but be meaningless for another form at another stage.

The assets to be protected by the TOE are listed below. They are grouped according to whether it is data created by and for the user (User data) or data created by and for the TOE (TSF data). For each asset it is specified the kind of dangers that weigh on it.

4.1.1 User data

D.APP_CODE

The code of the applets and libraries loaded on the card.
To be protected from unauthorized modification.

D.APP_C_DATA

Confidentiality - sensitive data of the applications, like the data contained in an object, a static field of a package, a local variable of the currently executed method, or a position of the operand stack.
To be protected from unauthorized disclosure.

D.APP_I_DATA

Integrity sensitive data of the applications, like the data contained in an object, and the PIN security attributes (PIN Try limit, PIN Try counter and State).
To be protected from unauthorized modification.

D.APP_KEYS

Cryptographic keys owned by the applets.
To be protected from unauthorized disclosure and modification.

D.PIN

Any end-user's PIN.
To be protected from unauthorized disclosure and modification.

4.1.2 TSF data

D.API_DATA

Private data of the API, like the contents of its private fields.
To be protected from unauthorized disclosure and modification.

D.CRYPTO

Cryptographic data used in runtime cryptographic computations, like a seed used to generate a key.
To be protected from unauthorized disclosure and modification.

D.JCS_CODE

The code of the Java Card System.
To be protected from unauthorized disclosure and modification.

D.JCS_DATA

The internal runtime data areas necessary for the execution of the Java Card VM, such as, for instance, the frame stack, the program counter, the class of an object, the length allocated for an array, any pointer used to chain data-structures.
To be protected from unauthorized disclosure or modification.

D.SEC_DATA

The runtime security data of the Java Card RE, like, for instance, the AIDs used to identify the installed applets, the currently selected applet, the current context of execution and the owner of each object.
To be protected from unauthorized disclosure and modification.

4.1.3 Additional assets

D.CONFIG

The configuration DATA are put at prepersonalisation phase: locks, keys, patch if any. These elements of configuration have to be loaded securely. To be protected from unauthorized disclosure or modification.

D.SENSITIVE_DATA

The other sensitive data are grouped in the same D.Sensitive_Data. The list is presented below:

- o D.NB_AUTHENTIC: Number of authentications. This number is specified in the SFR
- o D.NB_REMAINTRYOWN: Number of remaining tries for owner PIN. This number is specified in the SFR
- o D.NB_REMAINTRYGLB: Number of remaining tries for a global PIN. This number is specified in the SFR
- o ASG.CARDREG: Card registry (AS.APID: Applet Identifier (AID), AS.CMID: Card Manager ID (AID))

- o ASG.APPRIV: Applet privileges group (Card Manager lock privilege, Card terminate privilege, Default selected privilege, PIN change privilege, Security Domain privilege, Security Domain with DAP verification privilege, Security Domain with Mandated DAP verification privilege)
- o AS.AUTH_MSK_STATUS: Authentication MSK Status, this Security Attribute verifies if the authentication with the MSK key is performed successfully or not.
- o AS. MSK_KEY_VALUE: Value of the MSK key.
- o AS. MSK_KEY_COUNTER: Counter of remaining tries for the MSK key.
- o AS. JSK_ KEY_VALUE: Value of the JSK key.
- o AS. JSK_ KEY_COUNTER: Counter of remaining tries for the JSK key.
- o AS.CMLIFECYC: This Security Attribute represents the Card life cycle state. It can be either: Prepersonalisation, Personalisation and use phases of the card.

D.ARRAY

Applets are enabled to store confidential data. To be protected from unauthorized disclosure and modification.

D.JCS_KEYS

AS.KEYSET_VERSION and AS.KEYSET_Value Cryptographic keys used when loading a file into the card. To be protected from unauthorized disclosure and modification.

4.2 Users / Subjects

4.2.1 Additional Users / Subjects

S.RESIDENT_APPLICATION

The resident application

R.personaliser

Card Issuer or card Manufacturer

R.Prepersonaliser

Card manufacturer

R.Card_Manager

Card Manager

R.Security_Domain

Application Provider and its associated Security Domain

R.Use_API

User of applet for identification

R.Applet_privilege

Applet administrator

4.2.2 Miscellaneous**U.Card_Issuer**

The Card Issuer is the entity that own the card and is ultimately responsible for the behaviour of the card. It is initially the only entity authorized to manage applications through a secure communication channel with the card.

U.Card_Manufacturer

The Card Manufacturer is the entity responsible for producing smart cards on behalf of the Card Issuer.

S.ADEL

The applet deletion manager which also acts on behalf of the card issuer. It may be an applet ([R7], §11), but its role asks anyway for a specific treatment from the security viewpoint. This subject is unique and is involved in the ADEL security policy defined in ADELG Security Functional Requirements.

S.APPLET

Any applet instance.

S.BCV

The bytecode verifier (BCV), which acts on behalf of the verification authority who is in charge of the bytecode verification of the packages. This subject is involved in the PACKAGE LOADING security policy

S.CAD

The CAD represents the actor that requests, by issuing commands to the card. It also plays the role of the off-card entity that communicates with the S.INSTALLER.

S.INSTALLER

The installer is the on-card entity which acts on behalf of the card issuer. This subject is involved in the loading of packages and installation of applets.

S.JCRE

The runtime environment under which Java programs in a smart card are executed.

S.JCVM

The bytecode interpreter that enforces the firewall at runtime.

S.LOCAL

Operands stack of a JCVM frame, or local variable of a JCVM frame containing an object or an array of references.

S.MEMBER

Any object's field, static field or array position.

S.PACKAGE

A package is a namespace within the Java programming language that may contain classes and interfaces, and in the context of Java Card technology, it defines either a user library, or one or several applets.

S.TOE

Source code.

S.TPL

It is the native TPL in the JBox.

S. Platform

It is the Java Card platform without TPL.

4.3 Threats

This section introduces the threats to the assets against which specific protection within the TOE or its environment is required. Several groups of threats are distinguished according to the configuration chosen for the TOE and the means used in the attack. The classification is also inspired by the components of the TOE that are supposed to counter each threat.

4.3.1 CONFIDENTIALITY

T.CONFID-APPLI-DATA

The attacker executes an application to disclose data belonging to another application. See #.CONFID-APPLI-DATA for details.

Directly threatened asset(s): D.APP_C_DATA, D.PIN and D.APP_KEYS.

T.CONFID-JCS-CODE

The attacker executes an application to disclose the Java Card System code. See #.CONFID-JCS-CODE for details.

Directly threatened asset(s): D.JCS_CODE.

T.CONFID-JCS-DATA

The attacker executes an application to disclose data belonging to the Java Card System. See #.CONFID-JCS-DATA for details.

Directly threatened asset(s): D.API_DATA, D.SEC_DATA, D.JCS_DATA, D.CRYPTO and D.JCS_KEYS.

4.3.2 INTEGRITY

T.INTEG-APPLI-CODE

The attacker executes an application to alter (part of) its own code or another application's code. See #.INTEG-APPLI-CODE for details.

Directly threatened asset(s): D.APP_CODE.

T.INTEG-APPLI-CODE.LOAD

The attacker modifies (part of) its own or another application code when an application package is transmitted to the card for installation. See #.INTEG-APPLI-CODE for details.

Directly threatened asset(s): D.APP_CODE.

T.INTEG-APPLI-DATA

The attacker executes an application to alter (part of) another application's data. See #.INTEG-APPLI-DATA for details.

Directly threatened asset(s): D.APP_I_DATA, D.PIN, and D.APP_KEYS.

T.INTEG-APPLI-DATA.LOAD

The attacker modifies (part of) the initialization data contained in an application package when the package is transmitted to the card for installation. See #.INTEG-APPLI-DATA for details.

Directly threatened asset(s): D.APP_I_DATA and D_APP_KEY.

T.INTEG-JCS-CODE

The attacker executes an application to alter (part of) the Java Card System code. See #.INTEG-JCS-CODE for details.

Directly threatened asset(s): D.JCS_CODE.

T.INTEG-JCS-DATA

The attacker executes an application to alter (part of) Java Card System or API data. See #.INTEG-JCS-DATA for details.

Directly threatened asset(s): D.API_DATA, D.SEC_DATA, D.JCS_DATA, D.JCS_KEYS and D.CRYPTO.

Other attacks are in general related to one of the above, and aimed at disclosing or modifying on-card information. Nevertheless, they vary greatly on the employed means and threatened assets, and are thus covered by quite different objectives in the sequel. That is why a more detailed list is given hereafter.

4.3.3 IDENTITY USURPATION

T.SID.1

An applet impersonates another application, or even the Java Card RE, in order to gain illegal access to some resources of the card or with respect to the end user or the terminal. See #.SID for details.

Directly threatened asset(s): D.SEC_DATA (other assets may be jeopardized should this attack succeed, for instance, if the identity of the JCRE is usurped), D.PIN, D.JCS_KEYS and D.APP_KEYS and D.SENSITIVE_DATA.

T.SID.2

The attacker modifies the TOE's attribution of a privileged role (e.g. default applet and currently selected applet), which allows illegal impersonation of this role. See #.SID for further details.

Directly threatened asset(s): D.SEC_DATA (any other asset may be jeopardized should this attack succeed, depending on whose identity was forged) and D.SENSITIVE_DATA.

4.3.4 UNAUTHORIZED EXECUTION

T.EXE-CODE.1

An applet performs an unauthorized execution of a method. See #.EXE-JCS-CODE and #.EXE-APPLI-CODE for details.

Directly threatened asset(s): D.APP_CODE.

T.EXE-CODE.2

An applet performs an execution of a method fragment or arbitrary data. See #.EXE-JCS-CODE and #.EXE-APPLI-CODE for details.

Directly threatened asset(s): D.APP_CODE.

T.NATIVE

An applet executes a native method to bypass a TOE Security Function such as the firewall. See #.NATIVE for details.

Directly threatened asset(s): D.JCS_DATA.

Application Note: This Threat is maintained and extended with the addition of T.JBox_BORDER.

4.3.5 DENIAL OF SERVICE

T.RESOURCES

An attacker prevents correct operation of the Java Card System through consumption of some resources of the card: RAM or NVRAM. See #.RESOURCES for details.

Directly threatened asset(s): D.JCS_DATA.

4.3.6 CARD MANAGEMENT

T.DELETION

The attacker deletes an applet or a package already in use on the card, or uses the deletion functions to pave the way for further attacks (putting the TOE in an insecure state). See #.DELETION for details.

Directly threatened asset(s): D.SEC_DATA, D.APP_CODE and D.SENSITIVE_DATA.

T.INSTALL

The attacker fraudulently installs post-issuance of an applet on the card. This concerns either the installation of an unverified applet or an attempt to induce a malfunction in the TOE through the installation process. See #.INSTALL for details.

Directly threatened asset(s): D.SEC_DATA (any other asset may be jeopardized should this attack succeed, depending on the virulence of the installed application) and D.SENSITIVE_DATA.

4.3.7 SERVICES

T.OBJ-DELETION

The attacker keeps a reference to a garbage collected object in order to force the TOE to execute an unavailable method, to make it to crash, or to gain access to a memory containing data that is now being used by another application. See #.OBJ-DELETION for further details.

Directly threatened asset(s): D.APP_C_DATA, D.APP_I_DATA and D.APP_KEYS.

4.3.8 MISCELLANEOUS

T.PHYSICAL

The attacker discloses or modifies the design of the TOE, its sensitive data or application code by physical (opposed to logical) tampering means. This threat includes IC failure analysis, electrical probing, unexpected tearing, and DPA. That also includes the modification of the runtime execution of Java Card System or SCP software through alteration of the intended execution order of (set of) instructions through physical tampering techniques.

This threatens all the identified assets in the present evaluation (restricted to physical attacks).

This threat refers to the point (7) of the security aspect #.SCP, and all aspects related to confidentiality and integrity of code and data.

4.3.9 Additional threats

T.CONFIGURATION

The attacker tries to observe or modify configuration information exchanged between the TOE and its environment. The TOE in this phase (prepersonalisation) must protect itself from modification or theft. Even the field is protected by assurance measures, each operations realised in this phase has to be protected.

Directly threatened asset(s): D.CONFIG

T.CONF_DATA_APPLET

The attacker tries to observe the operation of comparison between two byte arrays in order to catch confidential information manipulated.

Directly threatened asset(s): D.ARRAY

T.PATCH_LOADING

The attacker tries to avoid the loading of a genuine patch by:

- o altering a patch (during loading or once loaded),
- o exploiting the patch loading mechanism to load unauthenticated code on the TOE in order to get access to the assets, the TSF data or the TOE user data, or to modify the TSF.

Directly threatened asset(s): D.CONFIG

T.JBox_BORDER

An attacker may try to load, modify and execute TPL in the JBox to modify the correct behaviour of the platform. With the aim to (i) disclose the OS code, (ii) disclose or alter applet code, disclose or alter OS data or disclose or alter applet data.

Directly threatened asset(s): all.

4.4 Organisational Security Policies

This section describes the organizational security policies to be enforced with respect to the TOE environment.

OSP.VERIFICATION

This policy shall ensure the consistency between the export files used in the verification and those used for installing the verified file. The policy must also ensure that no modification of the file is performed in between its verification and the signing by the verification authority. See #.VERIFICATION for details. OE.VERIFICATION guarantees the correct integrity and authenticity evidences for each application, by means of elements provided by OE.CODE-EVIDENCE.

4.5 Assumptions

This section introduces the assumptions made on the environment of the TOE.

Due to the Protection Profile and Security Target definition, T.DELETION replaces A.DELETION as O.CARD_MANAGEMENT replaces OE.CARD_MANAGEMENT.

A.APPLET

Applets loaded post-issuance (without using JBox mechanism) do not contain native methods. The Java Card specification explicitly "does not include support for native methods" ([R8], §3.3) outside the API.

A.VERIFICATION

All the bytecodes are verified at least once, before the loading, before the installation or before the execution, depending on the card capabilities, in order to ensure that each bytecode is valid at execution time.

Application Note: The verifications concerns the java Card application. Native code are not concerned by this assumption.

5 Security Objectives

5.1 Security Objectives for the TOE

This section defines the security objectives to be achieved by the TOE.

SFRs related to RMI functionality are excluded, as they are not part of this security target.

5.1.1 IDENTIFICATION

O.SID

The TOE shall uniquely identify every subject (applet, or package) before granting it access to any service.

5.1.2 EXECUTION

O.FIREWALL

The TOE shall ensure controlled sharing of data containers owned by applets of different packages or the JCRE and between applets and the TSFs. See #.FIREWALL for details.

O.GLOBAL_ARRAYS_CONFID

The TOE shall ensure that the APDU buffer that is shared by all applications is always cleared upon applet selection. The TOE shall ensure that the global byte array used for the invocation of the install method of the selected applet is always cleared after the return from the install method.

O.GLOBAL_ARRAYS_INTEG

The TOE shall ensure that no application can store a reference to the APDU buffer, a global byte array created by the user through makeGlobalArray method and the byte array used for invocation of the install method of the selected applet.

O.NATIVE

The only means that the Java Card VM shall provide for an application to execute native code is the invocation of a method of the Java Card API, or any additional API. See #.NATIVE and O.JBox_FW for details.

O.OPERATE

The TOE must ensure continued correct operation of its security functions. See #.OPERATE for details.

O.REALLOCATION

The TOE shall ensure that the re-allocation of a memory block for the runtime areas of the Java Card VM does not disclose any information that was previously stored in that block.

O.RESOURCES

The TOE shall control the availability of resources for the applications. See #.RESOURCES for details.

5.1.3 SERVICES

O.ALARM

The TOE shall provide appropriate feedback information upon detection of a potential security violation. See #.ALARM for details.

O.CIPHER

The TOE shall provide a means to cipher sensitive data for applications in a secure way. In particular, the TOE must support cryptographic algorithms consistent with cryptographic usage policies and standards. See #.CIPHER for details.

O.RNG

The TOE shall ensure the cryptographic quality of random number generation. For instance random numbers shall not be predictable and shall have sufficient entropy. The TOE shall ensure that no information about the produced random numbers is available to an attacker since they might be used for instance to generate cryptographic keys.

O.KEY-MNGT

The TOE shall provide a means to securely manage cryptographic keys (D.APP_KEYS, D.JCS_KEYS and D.CRYPTO). This concerns the correct generation, distribution, access and destruction of cryptographic keys. See #.KEY-MNGT.

O.PIN-MNGT

The TOE shall provide a means to securely manage PIN objects (including the PIN try limit, PIN try counter and states). If the PIN try limit is reached, no further PIN authentication must be allowed. See #.PIN-MNGT for details. This concerns at least the correct authentication of the cardholder and the PIN before having access to protected operations; the observability of the comparison between presented PIN and stored PIN.

Application Note:

PIN objects may play key roles in the security architecture of client applications. The way they are stored and managed in the memory of the smart card must be carefully considered, and this applies to the whole object rather than the sole value of the PIN. For instance, the try limit and try counter's value are as sensitive as that of the PIN and the TOE must restrict their modification only to authorized applications such as the card manager.

O.TRANSACTION

The TOE must provide a means to execute a set of operations atomically. See #.TRANSACTION for details.

O.KEY-MNGT, O.PIN-MNGT, O.TRANSACTION, O.RNG and O.CIPHER are actually provided to applets in the form of Java Card APIs. Vendor-specific libraries can also be present on the card and made available to applets; those may be built on top of the Java Card API or independently. These proprietary libraries will be evaluated together with the TOE.

5.1.4 OBJECT DELETION

O.OBJ-DELETION

The TOE shall ensure the object deletion shall not break references to objects. See #.OBJ-DELETION for further details.

5.1.5 APPLLET MANAGEMENT

O.DELETION

The TOE shall ensure that both applet and package deletion perform as expected. See #.DELETION for details.

O.LOAD

The TOE shall ensure that the loading of a package into the card is safe. Besides, for code loaded post-issuance, the TOE shall verify the integrity and authenticity evidences generated during the verification of the application package by the verification authority. This verification by the TOE shall occur during the loading or later during the install process.

Application Note:

Usurpation of identity resulting from a malicious installation of an applet on the card may also be the result of perturbing the communication channel linking the CAD and the card. Even if the CAD is placed in a secure environment, the attacker may try to capture, duplicate, permute or modify the packages sent to the card. He may also try to send one of its own applications as if it came from the card issuer. Thus, this objective is intended to ensure the integrity and authenticity of loaded CAP files.

O.INSTALL

The TOE shall ensure that the installation of an applet performs as expected (See #.INSTALL for details).

5.1.6 Additional security objectives for the TOE

Four security objectives for the operational environment defined in the PP JCS have been transformed in security objectives for the TOE:

- OE.SCP.IC
- OE.SCP.SUPPORT
- OE.SCP.RECOVERY
- OE.CARD_MANAGEMENT

O.SCP.SUPPORT

The TOE shall support the following functionalities:

- o It does not allow the TSFs to be bypassed or altered and does not allow access to other low-level functions than those made available by the packages of the API. That includes the protection of its private data and code (against disclosure or modification) from the Java Card System.
- o It provides secure low-level cryptographic processing to the Java Card System and Global Platform.

- o It supports the needs for any update to a single persistent object or class field to be atomic, and a low-level transaction mechanism.
- o It allows the Java Card System to store data in "persistent technology memory" or in volatile memory, depending on its needs (for instance, transient objects must not be stored in non-volatile memory). The memory model is structured and allows for low-level control accesses (segmentation fault detection).

O.SCP.IC

The SCP shall possess IC security features. It shall provide all IC security features against physical attacks. It is required that the IC is designed in accordance with a well-defined set of policies and standards (likely specified in another protection profile), and will be tamper resistant to actually prevent an attacker from extracting or altering security data (like cryptographic keys) by using commonly employed techniques (physical probing and sophisticated analysis of the chip). This especially matters to the management (storage and operation) of cryptographic keys.

O.SCP.RECOVERY

If there is a loss of power, or if the smart card is withdrawn from the CAD while an operation is in progress, the SCP must allow the TOE to eventually complete the interrupted operation successfully, or recover to a consistent and secure state. The smart card platform must be secure with respect to the SFRs. Then after a power loss or sudden card removal prior to completion of some communication protocol, the SCP will allow the TOE on the next power up to either complete the interrupted operation or revert to a secure state.

O.RESIDENT_APPLICATION

The objective ensures the access control to the configuration operations during pre-personalization phase:

In pre-personalization the RA shall control the access of Personalizer for product configuration: the loading of sensitive data (Patches and ISK keys encrypted with the appropriate key), and keys destructions (MSK and LSK keys) once ISK loaded.

O.CARD_MANAGEMENT

The card manager shall control the access to card management functions such as the installation, update or deletion of applets. It shall also implement the card issuer's policy on the card.

The card manager is an application with specific rights, which is responsible for the administration of the smart card. This component will in practice be tightly connected with the TOE, which in turn shall very likely rely on the card manager for the effective enforcing of some of its security functions. Typically the card manager shall be in charge of the life cycle of the whole card, as well as that of the installed applications (applets). The card manager should prevent that card content management (loading, installation, deletion) is carried out, for instance, at invalid states of the card or by non-authorized actors. It shall also enforce security policies established by the card issuer.

O.SECURE_COMPARE

The TOE shall provide to applet a means to securely compare two byte arrays, i.e. countermeasures against the following attacks: timing attack, comparison loop interrupted and result corrupted.

This objective ensure that no residual information is available from this operation to attackers. The operation of the comparison maintain the confidentiality of the compared arrays.

O.PATCH_LOADING

The TOE shall provide a secure patch code loading mechanism. The data to be loaded are encrypted. Once these data loaded, the integrity of the modified code is updated and compared to the provided one in the patch package.

O.JBox_FW

The TOE shall provide separation between the non-certified TPL in the JBox and the platform. This separation shall comprise software execution and data access. Security mechanisms have to be implemented to avoid fraudulent usage of the TOE or usage of certain memory regions. The security mechanisms must be designed to always put the TOE in a known and secure state.

5.2 Security Objectives for the Operational Environment

This section introduces the security objectives to be achieved by the environment. Four security objectives for the operational environment from the PP JCS have been transformed in security objectives for the TOE:

- OE.SCP.SUPPORT
- OE.SCP.IC
- OE.SCP.RECOVERY
- OE.CARD_MANAGEMENT

OE.APPLLET

No applet loaded post-issuance (without using JBox mechanism) shall contain native methods.

OE.VERIFICATION

All the bytecodes shall be verified at least once, before the loading, before the installation or before the execution, depending on the card capabilities, in order to ensure that each bytecode is valid at execution time. See #.VERIFICATION for details. Additionally, the applet shall follow all the recommendations, if any, mandated in the platform guidance for maintaining the isolation property of the platform.

Application Note:

Constraints to maintain the isolation property of the platform are provided by the platform developer in application development guidance. The constraints apply to all application code loaded without using JBox mechanism in the platform.

OE.CODE-EVIDENCE

For Java Card application code loaded pre-issuance, evaluated technical measures implemented by the TOE or audited organizational measures must ensure that loaded application has not been changed since the code verifications required in OE.VERIFICATION. For application code loaded post-issuance and verified off-card according to the requirements of OE.VERIFICATION, the verification authority shall provide digital evidence to the TOE that the application code has not been modified after the code verification and that he is the actor who performed code verification. For application code loaded post-issuance and partially or entirely verified on-card, technical measures must ensure that the verification required in OE.VERIFICATION are performed. On-card bytecode verifier is out of the scope of this Security Target.

Application Note:

For Java Card application code loaded post-issuance and verified off-card, the integrity and authenticity evidence can be achieved by electronic signature of the application code, after code verification, by the actor who performed verification.

5.3 Security Objectives Rationale

5.3.1 Threats

5.3.1.1 CONFIDENTIALITY

T.CONFID-APPLI-DATA This threat is countered by the security objective for the operational environment regarding bytecode verification (OE.VERIFICATION). It is also covered by the isolation commitments stated in the (O.FIREWALL) objective. It relies in its turn on the correct identification of applets stated in (O.SID). Moreover, as the firewall is dynamically enforced, it shall never stop operating, as stated in the (O.OPERATE) objective.

As the firewall is a software tool automating critical controls, the objective O.ALARM asks for it to provide clear warning and error messages, so that the appropriate counter-measure can be taken.

The objectives O.CARD_MANAGEMENT and OE.VERIFICATION contribute to cover this threat by controlling the access to card management functions and by checking the bytecode, respectively.

The objectives O.SCP.RECOVERY and O.SCP.SUPPORT are intended to support the O.OPERATE and O.ALARM objectives of the TOE, so they are indirectly related to the threats that these latter objectives contribute to counter.

As applets may need to share some data or communicate with the CAD, cryptographic functions are required to actually protect the exchanged information (O.CIPHER, O.RNG). Remark that even if the TOE shall provide access to the appropriate TSFs, it is still the responsibility of the applets to use them. Keys, PIN's are particular cases of an application's sensitive data (the Java Card System may possess keys as well) that ask for appropriate management (O.KEY-MNGT, O.PIN-MNGT, O.TRANSACTION). If the PIN class of the Java Card API is used, the objective (O.FIREWALL) shall contribute in covering this threat by controlling the sharing of the global PIN between the applets.

Other application data that is sent to the applet as clear text arrives to the APDU buffer, which is a resource shared by all applications. The disclosure of such data is prevented by the security objective O.GLOBAL_ARRAYS_CONFID.

Finally, any attempt to read a piece of information that was previously used by an application but has been logically deleted is countered by the O.REALLOCATION objective. That objective states that any information that was formerly stored in a memory block shall be cleared before the block is reused.

T.CONFID-JCS-CODE This threat is countered by the list of properties described in the (#.VERIFICATION) security aspect. Bytecode verification ensures that each of the instructions used on the Java Card platform is used for its intended purpose and in the intended scope of accessibility. As none of those instructions enables reading a piece of code, no Java Card applet can therefore be executed to disclose a piece of code. Native applications are also harmless thanks to the objectives O.NATIVE and O.JBox_FW.

The (#.VERIFICATION) security aspect is addressed in this ST by the objective for the environment OE.VERIFICATION.

The objectives O.CARD_MANAGEMENT and OE.VERIFICATION contribute to cover this threat by controlling the access to card management functions and by checking the bytecode, respectively.

T.CONFID-JCS-DATA This threat is covered by bytecode verification (OE.VERIFICATION) and the isolation commitments stated in the (O.FIREWALL) security objective. This latter objective also relies in its turn on the correct identification of applets stated in (O.SID). Moreover, as the firewall is dynamically enforced, it shall never stop operating, as stated in the (O.OPERATE) objective.

As the firewall is a software tool automating critical controls, the objective O.ALARM asks for it to provide clear warning and error messages, so that the appropriate counter-measure can be taken.

The objectives O.CARD_MANAGEMENT and OE.VERIFICATION contribute to cover this threat by controlling the access to card management functions and by checking the bytecode, respectively.

The objectives O.SCP.RECOVERY and O.SCP.SUPPORT are intended to support the O.OPERATE and O.ALARM objectives of the TOE, so they are indirectly related to the threats that these latter objectives contribute to counter.

5.3.1.2 INTEGRITY

T.INTEG-APPLI-CODE This threat is countered by the list of properties described in the (#.VERIFICATION) security aspect. Bytecode verification ensures that each of the instructions used on the Java Card platform is used for its intended purpose and in the intended scope of accessibility. As none of these instructions enables modifying a piece of code, no Java Card applet can therefore be executed to modify a piece of code. Native applications are also harmless thanks to the objectives O.NATIVE and O.JBox_FW.

The (#.VERIFICATION) security aspect is addressed in this configuration by the objective for the environment OE.VERIFICATION.

The objectives O.CARD_MANAGEMENT and OE.VERIFICATION contribute to cover this threat by controlling the access to card management functions and by checking the bytecode, respectively.

The objective OE.CODE-EVIDENCE contributes to cover this threat by ensuring that integrity and authenticity evidences exist for the application code loaded into the platform.

T.INTEG-APPLI-CODE.LOAD This threat is countered by the security objective O.LOAD which ensures that the loading of packages is done securely and thus preserves the integrity of packages code. The objective OE.CODE-EVIDENCE contributes to cover this threat by ensuring that the application code loaded into the platform has not been changed after code verification, which ensures code integrity and authenticity. By controlling the access to card management functions such as the installation, update or deletion of applets the objective O.CARD_MANAGEMENT contributes to cover this threat.

T.INTEG-APPLI-DATA This threat is countered by bytecode verification (OE.VERIFICATION) and the isolation commitments stated in the (O.FIREWALL) objective. This latter objective also relies in its turn on the correct identification of applets stated in (O.SID). Moreover, as the firewall is dynamically enforced, it shall never stop operating, as stated in the (O.OPERATE) objective. As the firewall is a software tool automating critical controls, the objective O.ALARM asks for it to provide clear warning and error messages, so that the appropriate counter-measure can be taken. The objectives O.CARD_MANAGEMENT and OE.VERIFICATION contribute to cover this threat by controlling the access to card management functions and by checking the bytecode, respectively. The objective OE.CODE-EVIDENCE contributes to cover this threat by ensuring that the application code loaded into the platform has not been changed after code verification, which ensures code integrity and authenticity. The objectives O.SCP.RECOVERY and O.SCP.SUPPORT are intended to support the O.OPERATE and O.ALARM objectives of the TOE, so they are indirectly related to the threats that these latter objectives contribute to counter. Concerning the confidentiality and integrity of application sensitive data, as applets may need to share some data or communicate with the CAD, cryptographic functions are required to actually protect the exchanged information (O.CIPHER, O.RNG). Remark that even if the TOE shall provide access to the appropriate TSFs, it is still the responsibility of the applets to use them. Keys and PIN's are particular cases of an application's sensitive data (the Java Card System may possess keys as well) that ask for appropriate management (O.KEY-MNGT, O.PIN-MNGT, O.TRANSACTION). If the PIN class of the Java Card API is used, the objective (O.FIREWALL) is also concerned. Other application data that is sent to the applet as clear text arrives to the APDU buffer, which is a resource shared by all applications. The integrity of the information stored in that buffer is ensured by the objective O.GLOBAL_ARRAYS_INTEG. Finally, any attempt to read a piece of information that was previously used by an application but has been logically deleted is countered by the O.REALLOCATION objective. That objective states that any information that was formerly stored in a memory block shall be cleared before the block is reused.

T.INTEG-APPLI-DATA.LOAD This threat is countered by the security objective O.LOAD which ensures that the loading of packages is done securely and thus preserves the integrity of applications data. The objective OE.CODE-EVIDENCE contributes to cover this threat by ensuring that the application code loaded into the platform has not been changed after code verification, which ensures code integrity and authenticity. By controlling the access to card management functions such as the installation, update or deletion of applets the objective O.CARD_MANAGEMENT contributes to cover this threat.

T.INTEG-JCS-CODE This threat is countered by the list of properties described in the (#.VERIFICATION) security aspect. Bytecode verification ensures that each of the instructions used on the Java Card platform is used for its intended purpose and in the intended scope of accessibility. As none of these instructions enables modifying a piece of code, no Java Card applet can therefore be executed to modify a piece of code. Native

applications are also harmless thanks to the objectives O.NATIVE and O.JBox_FW. The (#.VERIFICATION) security aspect is addressed in this configuration by the objective for the environment OE.VERIFICATION. The objectives O.CARD_MANAGEMENT and OE.VERIFICATION contribute to cover this threat by controlling the access to card management functions and by checking the bytecode, respectively. The objective OE.CODE-EVIDENCE contributes to cover this threat by ensuring that the application code loaded into the platform has not been changed after code verification, which ensures code integrity and authenticity.

T.INTEG-JCS-DATA This threat is countered by bytecode verification (OE.VERIFICATION) and the isolation commitments stated in the (O.FIREWALL) objective. This latter objective also relies in its turn on the correct identification of applets stated in (O.SID). Moreover, as the firewall is dynamically enforced, it shall never stop operating, as stated in the (O.OPERATE) objective. As the firewall is a software tool automating critical controls, the objective O.ALARM asks for it to provide clear warning and error messages, so that the appropriate counter-measure can be taken. The objectives O.CARD_MANAGEMENT and OE.VERIFICATION contribute to cover this threat by controlling the access to card management functions and by checking the bytecode, respectively. The objective OE.CODE-EVIDENCE contributes to cover this threat by ensuring that the application code loaded into the platform has not been changed after code verification, which ensures code integrity and authenticity. The objectives O.SCP.RECOVERY and O.SCP.SUPPORT are intended to support the O.OPERATE and O.ALARM objectives of the TOE, so they are indirectly related to the threats that these latter objectives contribute to counter.

5.3.1.3 IDENTITY USURPATION

T.SID.1 As impersonation is usually the result of successfully disclosing and modifying some assets, this threat is mainly countered by the objectives concerning the isolation of application data (like PINs), ensured by the (O.FIREWALL). Uniqueness of subject-identity (O.SID) also participates to face this threat. It should be noticed that the AIDs, which are used for applet identification, are TSF data.

In this configuration, usurpation of identity resulting from a malicious installation of an applet on the card is covered by the objective O.INSTALL.

The installation parameters of an applet (like its name) are loaded into a global array that is also shared by all the applications. The disclosure of those parameters (which could be used to impersonate the applet) is countered by the objectives O.GLOBAL_ARRAYS_CONFID and O.GLOBAL_ARRAYS_INTEG.

The objective O.CARD_MANAGEMENT contributes, by preventing usurpation of identity resulting from a malicious installation of an applet on the card, to counter this threat.

T.SID.2 This is covered by integrity of TSF data, subject-identification (O.SID), the firewall (O.FIREWALL) and its good working order (O.OPERATE).

The objective O.INSTALL contributes to counter this threat by ensuring that installing an applet has no effect on the state of other applets and thus can't change the TOE's attribution of privileged roles.

The objectives O.SCP.RECOVERY and O.SCP.SUPPORT are intended to support the O.OPERATE objective of the TOE, so they are indirectly related to the threats that this latter objective contributes to counter.

5.3.1.4 UNAUTHORIZED EXECUTION

T.EXE-CODE.1 Unauthorized execution of a method is prevented by the objective OE.VERIFICATION. This threat particularly concerns the point (8) of the security aspect #VERIFICATION (access modifiers and scope of accessibility for classes, fields and methods). The O.FIREWALL objective is also concerned, because it prevents the execution of non-shareable methods of a class instance by any subject apart from the class instance owner.

T.EXE-CODE.2 Unauthorized execution of a method fragment or arbitrary data is prevented by the objective OE.VERIFICATION. This threat particularly concerns those points of the security aspect related to control flow confinement and the validity of the method references used in the bytecodes.

T.NATIVE This threat is countered by O.NATIVE which ensures that a Java Card applet can only access native methods indirectly that is, through an API. This threat is also countered by O.JBox_FW which ensures that the native code is not harmless. OE.APPLLET also covers this threat by ensuring that no native applets shall be loaded in post-issuance without using JBox mechanism. In addition to this, the bytecode verifier also prevents the program counter of an applet to jump into a piece of native code by confining the control flow to the currently executed method (OE.VERIFICATION).

5.3.1.5 DENIAL OF SERVICE

T.RESOURCES This threat is directly countered by objectives on resource-management (O.RESOURCES) for runtime purposes and good working order (O.OPERATE) in a general manner.

Consumption of resources during installation and other card management operations are covered, in case of failure, by O.INSTALL.

It should be noticed that, for what relates to CPU usage, the Java Card platform is single-threaded and it is possible for an ill-formed application (either native or not) to monopolize the CPU. However, a smart card can be physically interrupted (card removal or hardware reset) and most CADs implement a timeout policy that prevent them from being blocked should a card fails to answer. That point is out of scope of this Security Target, though.

Finally, the objectives O.SCP.RECOVERY and O.SCP.SUPPORT are intended to support the O.OPERATE and O.RESOURCES objectives of the TOE, so they are indirectly related to the threats that these latter objectives contribute to counter.

5.3.1.6 CARD MANAGEMENT

T.DELETION This threat is covered by the O.DELETION security objective which ensures that both applet and package deletion perform as expected.

The objective O.CARD_MANAGEMENT controls the access to card management functions and thus contributes to cover this threat.

T.INSTALL This threat is covered by the security objective O.INSTALL which ensures that the installation of an applet performs as expected and the security objectives O.LOAD which ensures that the loading of a package into the card is safe.

The objective O.CARD_MANAGEMENT controls the access to card management functions and thus contributes to cover this threat.

5.3.1.7 SERVICES

T.OBJ-DELETION This threat is covered by the O.OBJ-DELETION security objective which ensures that object deletion shall not break references to objects.

5.3.1.8 MISCELLANEOUS

T.PHYSICAL Covered by O.SCP.IC. Physical protections rely on the underlying platform and are therefore an environmental issue.

5.3.1.9 Additional threats

T.CONFIGURATION This threat is covered by O.RESIDENT_APPLICATION.

This objective ensures that any operation in the prepersonalisation phase need authentication, it ensures also that D.CONFIG is loaded protected from theft and modification such as an attacker cannot observe or modify configuration information exchanged between the TOE and its environment.

T.CONF_DATA_APPLET This threat is covered by the O.SECURE_COMPARE security objective.

If an attacker tries to catch confidential information "D.ARRAY", the objective O.SECURE_COMPARE ensures that no residual information is available to the attacker.

T.PATCH_LOADING This threat is covered by O.PATCH_LOADING security objective.

If an attacker tries to avoid the loading of a patch or alter a patch (during loading or once loaded), O.PATCH_LOADING ensures trustable identification and authentication (static signature) data of the loaded patch are returned by the TOE. This information enables to check the presence of the genuine patch. Moreover, O.PATCH_LOADING, ensures authentication of the entity loading the patch before the patch is loaded in the TOE.

T.JBox_BORDER This threat is covered by the O.JBox_FW security objective.

It ensures that the TPL in the JBox and the data belonging to this TPL is completely sealed off from the rest of the platform. Due to this separation, the TPL in the JBox cannot harm the code and data outside the JBox.

5.3.2 Organisational Security Policies

OSP.VERIFICATION This policy is upheld by the security objective of the environment OE.VERIFICATION which guarantees that all the bytecodes shall be verified at least once, before the loading, before the installation or before the execution in order to ensure that each bytecode is valid at execution time. This policy is also upheld by the security objective of the environment OE.CODE-EVIDENCE which ensures that evidences exist that the

application code has been verified and not changed after verification, and by the security objective for the TOE O.LOAD which shall ensure that the loading of a package into the card is safe.

5.3.3 Assumptions

A.APPLET This assumption is upheld by the security objective for the operational environment OE.APPLET which ensures that no applet loaded post-issuance (without using JBox mechanism) shall contain native methods.

A.VERIFICATION This assumption is upheld by the security objective on the operational environment OE.VERIFICATION which guarantees that all the bytecodes shall be verified at least once, before the loading, before the installation or before the execution in order to ensure that each bytecode is valid at execution time. This assumption is also upheld by the security objective of the environment OE.CODE-EVIDENCE which ensures that evidences exist that the application code has been verified and not changed after verification.

5.3.4 SPD and Security Objectives

Threats	Security Objectives	Rationale
T.CONFID-APPLI-DATA	OE.VERIFICATION , O.SID , O.OPERATE , O.FIREWALL , O.GLOBAL_ARRAYS_CONFID , O.ALARM , O.TRANSACTION , O.CIPHER , O.PIN-MNGT , O.KEY-MNGT , O.REALLOCATION , O.SCP.RECOVERY , O.SCP.SUPPORT , O.CARD_MANAGEMENT , O.RNG	Section 5.3.1
T.CONFID-JCS-CODE	OE.VERIFICATION , O.NATIVE , O.JBox_FW , O.CARD_MANAGEMENT	Section 5.3.1
T.CONFID-JCS-DATA	OE.VERIFICATION , O.SID , O.OPERATE , O.FIREWALL , O.ALARM , O.SCP.RECOVERY , O.SCP.SUPPORT , O.CARD_MANAGEMENT	Section 5.3.1
T.INTEG-APPLI-CODE	OE.VERIFICATION , O.NATIVE , O.JBox_FW , OE.CODE-EVIDENCE , O.CARD_MANAGEMENT	Section 5.3.1
T.INTEG-APPLI-CODE.LOAD	O.LOAD , OE.CODE-EVIDENCE , O.CARD_MANAGEMENT	Section 5.3.1
T.INTEG-APPLI-DATA	OE.VERIFICATION , O.SID , O.OPERATE , O.FIREWALL , O.GLOBAL_ARRAYS_INTEG , O.ALARM , O.TRANSACTION , O.CIPHER , O.PIN-MNGT , O.KEY-MNGT , O.REALLOCATION , O.SCP.RECOVERY , O.SCP.SUPPORT , OE.CODE-EVIDENCE , O.CARD_MANAGEMENT , O.RNG	Section 5.3.1
T.INTEG-APPLI-DATA.LOAD	O.LOAD , OE.CODE-EVIDENCE , O.CARD_MANAGEMENT	Section 5.3.1
T.INTEG-JCS-CODE	OE.VERIFICATION , O.NATIVE , O.JBox_FW , OE.CODE-EVIDENCE , O.CARD_MANAGEMENT	Section 5.3.1

Threats	Security Objectives	Rationale
T.INTEG-JCS-DATA	OE.VERIFICATION , O.SID , O.OPERATE , O.FIREWALL , O.ALARM , O.SCP.RECOVERY , O.SCP.SUPPORT , OE.CODE-EVIDENCE , O.CARD MANAGEMENT	Section 5.3.1
T.SID.1	O.FIREWALL , O.GLOBAL ARRAYS CONFID , O.GLOBAL ARRAYS INTEG , O.INSTALL , O.SID , O.CARD MANAGEMENT	Section 5.3.1
T.SID.2	O.SID , O.OPERATE , O.FIREWALL , O.INSTALL , O.SCP.RECOVERY , O.SCP.SUPPORT	Section 5.3.1
T.EXE-CODE.1	OE.VERIFICATION , O.FIREWALL	Section 5.3.1
T.EXE-CODE.2	OE.VERIFICATION	Section 5.3.1
T.NATIVE	OE.VERIFICATION , O.NATIVE , O.JBox_FW , OE.APPLET	Section 5.3.1
T.RESOURCES	O.INSTALL , O.OPERATE , O.RESOURCES , O.SCP.RECOVERY , O.SCP.SUPPORT	Section 5.3.1
T.DELETION	O.DELETION , O.CARD MANAGEMENT	Section 5.3.1
T.INSTALL	O.INSTALL , O.LOAD , O.CARD MANAGEMENT	Section 5.3.1
T.OBJ-DELETION	O.OBJ-DELETION	Section 5.3.1
T.PHYSICAL	O.SCP.IC	Section 5.3.1
T.CONFIGURATION	O.RESIDENT APPLICATION	Section 5.3.1
T.CONF_DATA_APPLET	O.SECURE COMPARE	Section 5.3.1
T.PATCH_LOADING	O.PATCH_LOADING	Section 5.3.1
T.JBox_BORDER	O.JBox_FW	Section 5.3.1

Table 5 Threats and Security Objectives - Coverage

Security Objectives	Threats
O.SID	T.CONFID-APPLI-DATA , T.CONFID-JCS-DATA , T.INTEG-APPLI-DATA , T.INTEG-JCS-DATA , T.SID.1 , T.SID.2
O.FIREWALL	T.CONFID-APPLI-DATA , T.CONFID-JCS-DATA , T.INTEG-APPLI-DATA , T.INTEG-JCS-DATA , T.SID.1 , T.SID.2 , T.EXE-CODE.1
O.GLOBAL ARRAYS CONFID	T.CONFID-APPLI-DATA , T.SID.1
O.GLOBAL ARRAYS INTEG	T.INTEG-APPLI-DATA , T.SID.1
O.NATIVE	T.CONFID-JCS-CODE , T.INTEG-APPLI-CODE , T.INTEG-JCS-CODE , T.NATIVE

Security Objectives	Threats
O.OPERATE	T.CONFID-APPLI-DATA , T.CONFID-JCS-DATA , T.INTEG-APPLI-DATA , T.INTEG-JCS-DATA , T.SID.2 , T.RESOURCES
O.REALLOCATION	T.CONFID-APPLI-DATA , T.INTEG-APPLI-DATA
O.RESOURCES	T.RESOURCES
O.ALARM	T.CONFID-APPLI-DATA , T.CONFID-JCS-DATA , T.INTEG-APPLI-DATA , T.INTEG-JCS-DATA
O.CIPHER	T.CONFID-APPLI-DATA , T.INTEG-APPLI-DATA
O.RNG	T.CONFID-APPLI-DATA , T.INTEG-APPLI-DATA
O.KEY-MNGT	T.CONFID-APPLI-DATA , T.INTEG-APPLI-DATA
O.PIN-MNGT	T.CONFID-APPLI-DATA , T.INTEG-APPLI-DATA
O.TRANSACTION	T.CONFID-APPLI-DATA , T.INTEG-APPLI-DATA
O.OBJ-DELETION	T.OBJ-DELETION
O.DELETION	T.DELETION
O.LOAD	T.INTEG-APPLI-CODE.LOAD , T.INTEG-APPLI-DATA.LOAD , T.INSTALL
O.INSTALL	T.SID.1 , T.SID.2 , T.RESOURCES , T.INSTALL
O.SCP.SUPPORT	T.CONFID-APPLI-DATA , T.CONFID-JCS-DATA , T.INTEG-APPLI-DATA , T.INTEG-JCS-DATA , T.SID.2 , T.RESOURCES
O.SCP.IC	T.PHYSICAL
O.SCP.RECOVERY	T.CONFID-APPLI-DATA , T.CONFID-JCS-DATA , T.INTEG-APPLI-DATA , T.INTEG-JCS-DATA , T.SID.2 , T.RESOURCES
O.RESIDENT APPLICATION	T.CONFIGURATION
O.CARD MANAGEMENT	T.CONFID-APPLI-DATA , T.CONFID-JCS-CODE , T.CONFID-JCS-DATA , T.INTEG-APPLI-CODE , T.INTEG-APPLI-CODE.LOAD , T.INTEG-APPLI-DATA , T.INTEG-APPLI-DATA.LOAD , T.INTEG-JCS-CODE , T.INTEG-JCS-DATA , T.SID.1 , T.DELETION , T.INSTALL
O.SECURE COMPARE	T.CONF_DATA_APPLET
O.PATCH LOADING	T.PATCH LOADING
O.JBox_FW	T.CONFID-JCS-CODE , T.INTEG-APPLI-CODE , T.INTEG-JCS-CODE , T.NATIVE , T.JBox_BORDER
OE.APPLLET	T.NATIVE
OE.VERIFICATION	T.CONFID-APPLI-DATA , T.CONFID-JCS-CODE , T.CONFID-JCS-DATA , T.INTEG-APPLI-CODE ,

Security Objectives	Threats
	T.INTEG-APPLI-DATA , T.INTEG-JCS-CODE , T.INTEG-JCS-DATA , T.EXE-CODE.1 , T.EXE-CODE.2 , T.NATIVE
OE.CODE-EVIDENCE	T.INTEG-APPLI-CODE , T.INTEG-APPLI-CODE.LOAD , T.INTEG-APPLI-DATA , T.INTEG-APPLI-DATA.LOAD , T.INTEG-JCS-CODE , T.INTEG-JCS-DATA

Table 6 Security Objectives and Threats - Coverage

Organisational Security Policies	Security Objectives	Rationale
OSP.VERIFICATION	OE.VERIFICATION , OE.CODE-EVIDENCE , O.LOAD	Section 5.3.2

Table 7 OSPs and Security Objectives - Coverage

Security Objectives	Organisational Security Policies
O.SID	
O.FIREWALL	
O.GLOBAL_ARRAYS_CONFID	
O.GLOBAL_ARRAYS_INTEG	
O.NATIVE	
O.OPERATE	
O.REALLOCATION	
O.RESOURCES	
O.ALARM	
O.CIPHER	
O.RNG	
O.KEY-MNGT	
O.PIN-MNGT	
O.TRANSACTION	
O.OBJ-DELETION	
O.DELETION	
O.LOAD	OSP.VERIFICATION
O.INSTALL	
O.SCP.SUPPORT	
O.SCP.IC	
O.SCP.RECOVERY	

O.RESIDENT_APPLICATION	
O.CARD_MANAGEMENT	
O.SECURE_COMPARE	
O.PATCH_LOADING	
O.JBox_FW	
OE.APPLET	
OE.VERIFICATION	OSP.VERIFICATION
OE.CODE-EVIDENCE	OSP.VERIFICATION

Table 8 Security Objectives and OSPs - Coverage

Assumptions	Security Objectives for the Operational Environment	Rationale
A.APPLET	OE.APPLET	Section 5.3.3
A.VERIFICATION	OE.VERIFICATION , OE.CODE-EVIDENCE	Section 5.3.3

Table 9 Assumptions and Security Objectives for the Operational Environment - Coverage

Security Objectives for the Operational Environment	Assumptions
OE.APPLET	A.APPLET
OE.VERIFICATION	A.VERIFICATION
OE.CODE-EVIDENCE	A.VERIFICATION

Table 10 Security Objectives for the Operational Environment and Assumptions - Coverage

6 Extended Requirements

6.1 Extended Families

6.1.1 Extended Family FCS_RNG - Random Number Generation

6.1.1.1 Description

This family defines quality requirements for the generation of random numbers which are intended to be used for cryptographic purposes.

6.1.1.2 Extended Components

Extended Component FCS_RNG.1

Description

A physical random number generator (RNG) produces the random number by a noise source based on physical random processes. A non-physical true RNG uses a noise source based on non-physical random processes like human interaction (key strokes, mouse movement). A deterministic RNG uses a random seed to produce a pseudorandom output. A hybrid RNG combines the principles of physical and deterministic RNGs.

Definition

FCS_RNG.1 Random Number Generation

FCS_RNG.1.1 The TSF shall provide a [selection: physical, non-physical true, deterministic hybrid] random number generator that implements [assignment: list of security capabilities].

FCS_RNG.1.2 The TSF shall provide random numbers that meet [assignment: a defined quality metric].

Dependencies: No dependencies.

7 Security Requirements

7.1 Security Functional Requirements

This section states the security functional requirements for the Java Card System - Open configuration. For readability and for compatibility with the original Java Card System Protection Profile Collection - Standard 2.2 Configuration [R30], requirements are arranged into groups. All the groups defined in the table below apply to this Security Target.

Group	Description
Core with Logical Channels (CoreG_LC)	The CoreG_LC contains the requirements concerning the runtime environment of the Java Card System implementing logical channels. This includes the firewall policy and the requirements related to the Java Card API. Logical channels are a Java Card specification version 2.2 feature. This group is the union of requirements from the Core (CoreG) and the Logical channels (LCG) groups defined in [R30] (cf. Java Card System Protection Profile Collection [R30]).
Installation (InstG)	The InstG contains the security requirements concerning the installation of post-issuance applications. It does not address card management issues in the broad sense, but only those security aspects of the installation procedure that are related to applet execution.
Applet deletion (ADELG)	The ADELG contains the security requirements for erasing installed applets from the card, a feature introduced in Java Card specification version 2.2.
Object deletion (ODELG)	The ODELG contains the security requirements for the object deletion capability. This provides a safe memory recovering mechanism. This is a Java Card specification version 2.2 feature.
Secure carrier (CarG)	The CarG group contains minimal requirements for secure downloading of applications on the card. This group contains the security requirements for preventing the installation of a package that has not been bytecode verified, or that has been modified after bytecode verification.

Subjects are active components of the TOE that (essentially) act on the behalf of users. The users of the TOE include people or institutions (like the applet developer, the card issuer, the verification authority), hardware (like the CAD where the card is inserted or the PCD) and software components (like the application packages installed on the card). Some of the users may just be aliases for other users. For instance, the verification authority in charge of the bytecode verification of the applications may be just an alias for the card issuer.

Objects (prefixed with an "O") are described in the following table:

Object	Description
O.APPLET	Any installed applet, its code and data
O.CODE_PKG	The code of a package, including all linking information. On the Java Card platform, a package is the installation unit

O.JAVAOBJECT	Java class instance or array. It should be noticed that KEYS, PIN, arrays and applet instances are specific objects in the Java programming language
O.TPL_Content	The code and data elements of the TPL residing in the JBox.
O.Platform_Content	Any code and data elements not assigned to the TPL.
O.JBox_Interface	All platform interfaces ie services offered by the platform and available to S.TPL: <ul style="list-style-type: none"> • Fetch method parameter (POP) • Push return value (PUSH) • Read array • Write array • Exit from TPL execution
O.Platform_Interface	All interfaces available on the platform excepts those defined in O.JBox_Interface.

Information (prefixed with an "I") is described in the following table:

Information	Description
I.APDU	Any APDU sent to or from the card through the communication channel.
I.DATA	JCVM Reference Data: objectref addresses of APDU buffer, JCRE-owned instances of APDU class and byte array for install method.

Security attributes linked to these subjects, objects and information are described in the following table with their values:

Security attribute	Description/Value
Active Applets	The set of the active applets' AIDs. An active applet is an applet that is selected on at least one of the logical channels.
Applet Selection Status	"Selected" or "Deselected".
Applet's version number	The version number of an applet (package) indicated in the export file.
Context	Package AID or "Java Card RE".
COD Context attribute	Delimits the space occupied in volatile memory by the data of the CLEAR_ON_DESELECT transient arrays of a package
COR Context attribute	Delimits the space occupied in volatile memory by the data of the CLEAR_ON_RESET transient arrays of a package
Current Frame Context	The lower and upper Boundary of the local variables area on the stack frame for a method and the lower and upper Boundary of the operand stack area on the stack frame for a method
Currently Active Context	Package AID or "Java Card RE".
Dependent package AID	Allows the retrieval of the Package AID and Applet's version number ([R8], §4.5.2).

Security attribute	Description/Value
ExportedInfo Boolean	(indicates whether the remote object is exportable or not).
Identifier	The Identifier of a remote object or method is a number that uniquely identifies the remote object or method, respectively.
LC Selection Status	Multiselectable, Non-multiselectable or "None".
LifeTime	CLEAR_ON_DESELECT or PERSISTENT (*) or CLEAR_ON_RESET
Object Boundary	Delimits the space occupied by an object in the heap
Owner	The Owner of an object is either the applet instance that created the object or the package (library) where it has been defined (these latter objects can only be arrays that initialize static fields of the package). The owner of a remote object is the applet instance that created the object.
Package AID	The AID of each package indicated in the export file.
Package Boundary	Delimits the space occupied by the code and the static fields of a package
Program Counter	Position of the next Bytecode to executed
Registered Applets	The set of AID of the applet instances registered on the card.
Resident Packages	The set of AIDs of the packages already loaded on the card.
Selected Applet Context	Package AID or "None".
Sharing	Standards, SIO, Java Card RE entry point or global array.
Stack Pointer	Position of the next free slot in the stack
Static Fields	Static fields of a package
Static References	Static fields of a package may contain references to objects. The Static References attribute records those references.
TPL_Context	Native Context of the TPL application
Platform_Context	Native Context of the platform

(*) Transient objects of type CLEAR_ON_DESELECT behave like persistent objects in that they can be accessed only when the Currently Active Context is the object's context.

Operations (prefixed with "OP") are described in the following table. Each operation has parameters given between brackets, among which there is the "accessed object", the first one, when applicable. Parameters may be seen as security attributes that are under the control of the subject performing the operation.

Operation	Description
OP.ARRAY_ACCESS (O.JAVAOBJECT, field)	Read/Write an array component.
OP.ARRAY_LENGTH (O.JAVAOBJECT, field)	Get length of an array component
OP.ARRAY_AASTORE(O.JAVAOBJECT, field)	Store into reference array component
OP.CREATE (Sharing, LifeTime) (*)	Creation of an object (new or makeTransient call).
OP.DELETE_APPLET (O.APPLET,...)	Delete an installed applet and its objects, either logically or physically.
OP.DELETE_PKG (O.CODE_PKG,...)	Delete a package, either logically or physically.
OP.DELETE_PKG_APPLET (O.CODE_PKG,...)	Delete a package and its installed applets, either logically or physically.
OP.FLOW (O.CODE_PKG)	Any operation that modify the execution flow
OP.IMPORT_KEY	Import of the keys
OP.INSTANCE_FIELD (O.JAVAOBJECT, field)	Read/Write a field of an instance of a class in the Java programming language.
OP.INVK_INTERFACE (O.JAVAOBJECT, method, arg1,...)	Invoke an interface method.
OP.INVK_VIRTUAL (O.JAVAOBJECT, method, arg1,...)	Invoke a virtual method (either on a class instance or an array object).
OP.JAVA (...)	Any access in the sense of [R7], §6.2.8. It stands for one of the operations OP.ARRAY_ACCESS, OP.INSTANCE_FIELD, OP.INVK_VIRTUAL, OP.INVK_INTERFACE, OP.THROW, OP.TYPE_ACCESS.
OP.LOCAL_STACK_ACCESS (...)	Any operation that read or write the local stack
OP.OPERAND_STACK_ACCESS (...)	Any operation that push or pop items on the operand stack
OP.PUT (S1,S2,I)	Transfer a piece of information I from S1 to S2.
OP.STATIC_FIELD (O.CODE_PKG, field)	Read/Write a static field of a class in the JAVA programming language
OP.THROW (O.JAVAOBJECT)	Throwing of an object (athrow, see [R7], §6.2.8.7).
OP.TYPE_ACCESS (O.JAVAOBJECT, class)	Invoke checkcast or instanceof on an object in order to access to classes (standard or shareable interfaces objects).
OP.NATIVE_ACCESS	Any read, write or execution access to the code and data elements
OP.NATIVE_INTERFACE_CALL	Any execution of a native service via a call to its interface

Operation	Description
Cardholder Authentication	Authentication of the cardholder
U.Card_Issuer authentication	Authentication of U.Card_Issuer

(*) For this operation, there is no accessed object. This rule enforces that shareable transient objects are not allowed, except some objects, such as COR. For more information refer to the Java Doc [R6]. For instance, during the creation of an object, the JavaCardClass attribute's value is chosen by the creator.

7.1.1 CoreG_LC Security Functional Requirements

This group is focused on the main security policy of the Java Card System, known as the firewall.

7.1.1.1 Firewall Policy

FDP_ACC.2/FIREWALL Complete access control

FDP_ACC.2.1/FIREWALL The TSF shall enforce the **FIREWALL access control SFP** on **S.PACKAGE, S.JCRE, S.JCVM, O.JAVAOBJECT** and all operations among subjects and objects covered by the SFP.

Refinement:

The operations involved in the policy are:

- o OP.CREATE,
- o OP.INVK_INTERFACE,
- o OP.INVK_VIRTUAL,
- o OP.JAVA,
- o OP.THROW,
- o OP.TYPE_ACCESS,
- o OP.ARRAY_LENGTH,
- o OP.ARRAY_AASTORE.

FDP_ACC.2.2/FIREWALL The TSF shall ensure that all operations between any subject controlled by the TSF and any object controlled by the TSF are covered by an access control SFP.

Application Note:

It should be noticed that accessing array's components of a static array, and more generally fields and methods of static objects, is an access to the corresponding O.JAVAOBJECT.

FDP_ACF.1/FIREWALL Security attribute based access control

FDP_ACF.1.1/FIREWALL The TSF shall enforce the **FIREWALL** access control **SFP** to objects based on the following:

Subject/Object	Security attributes
S.PACKAGE	LC Selection Status
S.JCVM	Active Applets, Currently Active Context
S.JCRE	Selected Applet Context
O.JAVAOBJECT	Sharing, Context, LifeTime

FDP_ACF.1.2/FIREWALL The TSF shall enforce the following rules to determine if an operation among controlled subjects and controlled objects is allowed:

- **R.JAVA.1** ([R7], §6.2.8): **S.PACKAGE** may freely perform **OP.INVK_VIRTUAL**, **OP.INVK_INTERFACE**, **OP.THROW** or **OP.TYPE_ACCESS** upon any **O.JAVAOBJECT** whose Sharing attribute has value "JCRE entry point" or "global array".
- **R.JAVA.2** ([R7], §6.2.8): **S.PACKAGE** may freely perform **OP.ARRAY_ACCESS**, **OP.INSTANCE_FIELD**, **OP.INVK_VIRTUAL**, **OP.INVK_INTERFACE** or **OP.THROW** upon any **O.JAVAOBJECT** whose Sharing attribute has value "Standard" and whose Lifetime attribute has value "PERSISTENT" only if **O.JAVAOBJECT**'s Context attribute has the same value as the active context.
- **R.JAVA.3** ([R7], §6.2.8.10): **S.PACKAGE** may perform **OP.TYPE_ACCESS** upon an **O.JAVAOBJECT** whose Sharing attribute has value "SIO" only if **O.JAVAOBJECT** is being cast into (checkcast) or is being verified as being an instance of (instanceof) an interface that extends the Shareable interface.
- **R.JAVA.4** ([R7], §6.2.8.6): **S.PACKAGE** may perform **OP.INVK_INTERFACE** upon an **O.JAVAOBJECT** whose Sharing attribute has the value "SIO", and whose Context attribute has the value "Package AID", only if the invoked interface method extends the Shareable interface and one of the following conditions applies:
 - a) The value of the attribute Selection Status of the package whose AID is "Package AID" is "Multiselectable",
 - b) The value of the attribute Selection Status of the package whose AID is "Package AID" is "Non-multiselectable", and either "Package AID" is the value of the currently selected applet or otherwise "Package AID" does not occur in the attribute Active Applets.
- **R.JAVA.5**: **S.PACKAGE** may perform **OP.CREATE** upon **O.JAVAOBJECT** only if the value of the Sharing parameter is "Standard" or "SIO".
- **R.JAVA.6** ([R7], §6.2.8): **S.PACKAGE** may freely perform **OP.ARRAY_ACCESS** or **OP.ARRAY_LENGTH** upon any **O.JAVAOBJECT** whose Sharing attribute has value "global array".

FDP_ACF.1.3/FIREWALL The TSF shall explicitly authorise access of subjects to objects based on the following additional rules:

- **The subject S.JCRE can freely perform OP.JAVA() and OP.CREATE, with the exception given in FDP_ACF.1.4/FIREWALL, provided it is the Currently Active Context.**
- **The only means that the subject S.JCVM shall provide for an application to execute native code is the invocation of a Java Card API method (through OP.INVK_INTERFACE or OP.INVK_VIRTUAL).**

FDP_ACF.1.4/FIREWALL The TSF shall explicitly deny access of subjects to objects based on the following additional rules:

- **Any subject with OP.JAVA upon an O.JAVAOBJECT whose LifeTime attribute has value "CLEAR_ON_DESELECT" if O.JAVAOBJECT's Context attribute is not the same as the Selected Applet Context.**
- **Any subject attempting to create an object by the means of OP.CREATE and a "CLEAR_ON_DESELECT" LifeTime parameter if the active context is not the same as the Selected Applet Context.**
- **S.PACKAGE performing OP.ARRAY_AASTORE of the reference of an O.JAVAOBJECT whose sharing attribute has value "global array" or "Temporary JCRE entry point".**
- **S.PACKAGE performing OP.PUTFIELD or OP.PUTSTATIC of the reference of an O.JAVAOBJECT whose sharing attribute has value "global array" or "Temporary JCRE entry point".**

Application Note:

FDP_ACF.1.4/FIREWALL:

- The deletion of applets may render some O.JAVAOBJECT inaccessible, and the Java Card RE may be in charge of this aspect. This can be done, for instance, by ensuring that references to objects belonging to a deleted application are considered as a null reference. Such a mechanism is implementation-dependent.

In the case of an array type, fields are components of the array ([R28], §2.14, §2.7.7), as well as the length; the only methods of an array object are those inherited from the Object class.

The Sharing attribute defines four categories of objects:

- Standard ones, whose both fields and methods are under the firewall policy,
- Shareable interface Objects (SIO), which provide a secure mechanism for inter-applet communication,
- JCRE entry points (Temporary or Permanent), who have freely accessible methods but protected fields,
- Global arrays, having both unprotected fields (including components; refer to JavaCardClass discussion above) and methods.

When a new object is created, it is associated with the Currently Active Context. But the object is owned by the applet instance within the Currently Active Context when the object is instantiated ([R7], §6.1.3). An object is owned by an applet instance, by the JCRE or by the package library where it has been defined (these latter objects can only be arrays that initialize static fields of packages).

([R7], Glossary) Selected Applet Context. The Java Card RE keeps track of the currently selected Java Card applet. Upon receiving a SELECT command with this applet's AID, the Java Card RE makes this applet the Selected Applet Context. The Java Card RE sends all APDU commands to the Selected Applet Context.

While the expression "Selected Applet Context" refers to a specific installed applet, the relevant aspect to the policy is the context (package AID) of the selected applet. In this policy, the "Selected Applet Context" is the AID of the selected package.

([R7], §6.1.2.1) At any point in time, there is only one active context within the Java Card VM (this is called the Currently Active Context).

It should be noticed that the invocation of static methods (or access to a static field) is not considered by this policy, as there are no firewall rules. They have no effect on the active context as well and the "acting package" is not the one to which the static method belongs to in this case.

It should be noticed that the Java Card platform, version 2.2.x and version 3 Classic Edition, introduces the possibility for an applet instance to be selected on multiple logical channels at the same time, or accepting other applets belonging to the same package being selected simultaneously. These applets are referred to as multiselectable applets. Applets that belong to a same package are either all multiselectable or not ([R8], §2.2.5). Therefore, the selection mode can be regarded as an attribute of packages. No selection mode is defined for a library package.

An applet instance will be considered an active applet instance if it is currently selected in at least one logical channel. An applet instance is the currently selected applet instance only if it is processing the current command. There can only be one currently selected applet instance at a given time. ([R7], §4).

FDP_IFC.1/JCVM Subset information flow control

FDP_IFC.1.1/JCVM The TSF shall enforce the **JCVM information flow control SFP** on **S.JCVM, S.LOCAL, S.MEMBER, I.DATA and OP.PUT(S1, S2, I)**.

Application Note:

It should be noticed that references of temporary Java Card RE entry points, which cannot be stored in class variables, instance variables or array components, are transferred from the internal memory of the Java Card RE (TSF data) to some stack through specific APIs (Java Card RE owned exceptions) or Java Card RE invoked methods (such as the process(APDU apdu)); these are causes of OP.PUT(S1,S2,I) operations as well.

FDP_ IFF.1/JCVM Simple security attributes

FDP_ IFF.1.1/JCVM The TSF shall enforce the **JCVM information flow control SFP** based on the following types of subject and information security attributes:

Subjects	Security attributes
S.JCVM	Currently Active Context

FDP_ IFF.1.2/JCVM The TSF shall permit an information flow between a controlled subject and controlled information via a controlled operation if the following rules hold:

- o **An operation OP.PUT(S1, S.MEMBER, I.DATA) is allowed if and only if the Currently Active Context is "Java Card RE";**
- o **other OP.PUT operations are allowed regardless of the Currently Active Context's value.**

FDP_ IFF.1.3/JCVM The TSF shall enforce the **none**.

FDP_ IFF.1.4/JCVM The TSF shall explicitly authorise an information flow based on the following rules: **none**.

FDP_ IFF.1.5/JCVM The TSF shall explicitly deny an information flow based on the following rules: **none**.

Application Note:

The storage of temporary Java Card RE-owned objects references is runtime-enforced ([R7], §6.2.8.1-3).

It should be noticed that this policy essentially applies to the execution of bytecode. Native methods, the Java Card RE itself and possibly some API methods can be granted specific rights or limitations through the FDP_ IFF.1.3/JCVM to FDP_ IFF.1.5/JCVM elements. The way the Java Card virtual machine manages the transfer of values on the stack and local variables (returned values, uncaught exceptions) from and to internal registers is implementation-dependent. For instance, a returned reference, depending on the implementation of the stack frame, may transit through an internal register prior to being pushed on the stack of the invoker. The returned bytecode would cause more than one OP.PUT operation under this scheme.

FDP_ RIP.1/OBJECTS Subset residual information protection

FDP_ RIP.1.1/OBJECTS The TSF shall ensure that any previous information content of a resource is made unavailable upon the **allocation of the resource to** the following objects: **class instances and arrays**.

Application Note:

The semantics of the Java programming language requires for any object field and array position to be initialized with default values when the resource is allocated [R28], §2.5.1.

FMT_MSA.1/JCRE Management of security attributes

FMT_MSA.1.1/JCRE The TSF shall enforce the **FIREWALL access control SFP** to restrict the ability to **modify** the security attributes **Selected Applet Context to the Java Card RE**.

Application Note:

The modification of the Selected Applet Context should be performed in accordance with the rules given in [R7], §4 and [R8], §3.4.

FMT_MSA.1/JCVM Management of security attributes

FMT_MSA.1.1/JCVM The TSF shall enforce the **FIREWALL access control SFP and the JCVM information flow control SFP** to restrict the ability to **modify** the security attributes **Currently Active Context and Active Applets to the Java Card VM (S.JCVM)**.

Application Note:

The modification of the Currently Active Context should be performed in accordance with the rules given in [R7], §4 and [R8], §3.4.

FMT_MSA.2/FIREWALL_JCVM Secure security attributes

FMT_MSA.2.1/FIREWALL_JCVM The TSF shall ensure that only secure values are accepted for **all the security attributes of subjects and objects defined in the FIREWALL access control SFP and the JCVM information flow control SFP**.

Application Note:

The following rules are given as examples only. For instance, the last two rules are motivated by the fact that the Java Card API defines only transient arrays factory methods. Future versions may allow the creation of transient objects belonging to arbitrary classes; such evolution will naturally change the range of "secure values" for this component.

- The Context attribute of an O.JAVAOBJECT must correspond to that of an installed applet or be "Java Card RE".
- An O.JAVAOBJECT whose Sharing attribute is a Java Card RE entry point or a global array necessarily has "Java Card RE" as the value for its Context security attribute.
- An O.JAVAOBJECT whose Sharing attribute value is a global array necessarily has "array of primitive type" as a JavaCardClass security attribute's value.
- Any O.JAVAOBJECT whose Sharing attribute value is not "Standard" has a PERSISTENT-LifeTime attribute's value.
- Any O.JAVAOBJECT whose LifeTime attribute value is not PERSISTENT has an array type as JavaCardClass attribute's value.

FMT_MSA.3/FIREWALL Static attribute initialisation

FMT_MSA.3.1/FIREWALL The TSF shall enforce the **FIREWALL access control SFP** to provide **restrictive** default values for security attributes that are used to enforce the SFP.

FMT_MSA.3.2/FIREWALL The TSF shall allow the **[none]** to specify alternative initial values to override the default values when an object or information is created.

Application Note:

FMT_MSA.3.1/FIREWALL

- Objects' security attributes of the access control policy are created and initialized at the creation of the object or the subject. Afterwards, these attributes are no longer mutable (FMT_MSA.1/JCRE). At the creation of an object (OP.CREATE), the newly created object, assuming that the FIREWALL access control SFP permits the operation, gets its Lifetime and Sharing attributes from the parameters of the operation; on the contrary, its Context attribute has a default value, which is its creator's Context attribute and AID respectively ([R7], §6.1.3). There is one default value for the Selected Applet Context that is the default applet identifier's Context, and one default value for the Currently Active Context that is "Java Card RE".
- The knowledge of which reference corresponds to a temporary entry point object or a global array and which does not is solely available to the Java Card RE (and the Java Card virtual machine).

FMT_MSA.3.2/FIREWALL

- The intent is that none of the identified roles has privileges with regard to the default values of the security attributes. It should be noticed that creation of objects is an operation controlled by the FIREWALL access control SFP. The operation shall fail anyway if the created object would have had security attributes whose value violates FMT_MSA.2.1/FIREWALL_JCVM.

FMT_MSA.3/JCVM Static attribute initialisation

FMT_MSA.3.1/JCVM The TSF shall enforce the **JCVM information flow control SFP** to provide **restrictive** default values for security attributes that are used to enforce the SFP.

FMT_MSA.3.2/JCVM The TSF shall allow the **[none]** to specify alternative initial values to override the default values when an object or information is created.

FMT_SMF.1 Specification of Management Functions

FMT_SMF.1.1 The TSF shall be capable of performing the following management functions:

- **modify the Currently Active Context, the Selected Applet Context and the Active Applets.**

FMT_SMR.1 Security roles

FMT_SMR.1.1 The TSF shall maintain the roles

- o **Java Card RE (JCRE),**
- o **Java Card VM (JCVM).**

FMT_SMR.1.2 The TSF shall be able to associate users with roles.

7.1.1.2 Application Programming Interface

The following SFRs are related to the Java Card API. The whole set of cryptographic algorithms is generally not implemented because of limited memory resources and/or limitations due to exportation. Therefore, the following requirements only apply to the implemented subset.

It should be noticed that the execution of the additional native code is not within the TSF. Nevertheless, access to API native methods from the Java Card System is controlled by TSF because there is no difference between native and interpreted methods in their interface or invocation mechanism.

FCS_CKM.1 Cryptographic key generation

FCS_CKM.1.1 The TSF shall generate cryptographic keys in accordance with a specified cryptographic key generation algorithm **see table below** and specified cryptographic key sizes **see table below** that meet the following: **see table below**:

Cryptographic key generation algorithm	Cryptographic key size	List of standards
TDES	112 bits or 168 bits	FIPS PUB 46-3 (ANSI X3.92) [R16], FIPS PUB 81 [R17]
ECKeyp	from 160 to 521 bits	IEEE Std 1363a-2004 [R27]
RSA	from 512 to 4096 bits with a step of 256-bits	ANSI X9.31 [R15]
AES	from 128 to 256 bits with a step of 64 bits	FIPS PUB 197 [R25]
GP Keys - TDES (ECB)	112 bits	GP 2.3
GP Keys – AES (ECB)	128, 192, 256 bits	GP 2.3
GP Keys – AES (ECB)	128 bits	GP 2.3

Application Note:

- The keys can be generated and diversified in accordance with [R6] specification in classes KeyPair (at least Session key generation) and RandomData.
- This component shall be instantiated according to the version of the Java Card API applying to the security target and the implemented algorithms [R6].
- This component shall be instantiated according to the version of the Global Platform GP 2.3 [R12] and [R13].

FCS_CKM.4 Cryptographic key destruction

FCS_CKM.4.1 The TSF shall destroy cryptographic keys in accordance with a specified cryptographic key destruction method **the keys are reset with the method clearKey()** that meets the following: **"Java Card API" specification [R6]. The keys used in class ISOSecureMessaging (Package "com.oberthurcs.javacard.utilSM") [R35] are classes Key that meets the following: "Java Card API" specification [R6]. The methods 'reset' and 'setKeyFormat' call the method key.clearKey() for clearing the value of each key.**

Application Note:

The keys are reset as specified in [R6] Key class, with the method clearKey(). Any access to a cleared key for ciphering or signing shall throw an exception.

FCS_COP.1 Cryptographic operation

FCS_COP.1.1 The TSF shall perform **see table below** in accordance with a specified cryptographic algorithm **see table below** and cryptographic key sizes **see table below** that meet the following: **see table below:**

Cryptographic operation	Cryptographic algorithm	TOE supported size	"Standardized" size	List of standards
signature, signature's verification, encryption and decryption	DES – TDES with Modes CBC, ECB, and CMAC	56, 112 or 168 bits	TDES 168	FIPS PUB 46-3 (ANSI X3.92) [R16], FIPS PUB 81 [R17], ISO/IEC 9797(1999) [R21], Data integrity mechanism [R17]
signature, signature's verification, encryption and decryption	AES with Modes CBC, ECB, and CMAC	from 128 to 256 bits with a step of 64 bits	greater than 128 bits	FIPS PUB 197 [R25], SP800-38B (CMAC)
signature, signature's verification, encryption and decryption	RSA CRT, private keys. RSA SFM (Straightforward) public and private keys.	from 1024 to 4096 bits with a step of 256-bits	2048 bits	ANSI X9.31 [R15], ISO/IEC 9796-1 [R20], PKCS#1[R23]
signature	HMAC	64 bits up to 1016 bits Based on SHA-256, SHA-384 and SHA-512	SHA-2 with key size > 128 bits	FIPS 198 The Keyed-Hash Message Authentication Code (HMAC)

Cryptographic operation	Cryptographic algorithm	TOE supported size	"Standardized" size	List of standards
Hash functions	SHA-1, SHA-224, SHA-256, SHA-384 and SHA-512	SHA-1, SHA-224, SHA-256, SHA-384 and SHA-512	SHA-224, SHA-256, SHA-384 and SHA-512	Secure Hash Standard, FIPS PUB 180-3 [R18]
signature, signature's verification	ECDSA	160, 192, 256, 384, 512 and 521 bits	Greater than 200 bits	ANSI X9.62 [R10]
Key agreement	ECDH	160 to 521 bits	Greater than 200 bits	BSI TR 03111, IEEE Std 1363a-2004 [R27]
Checksum	16-bit using the hardware co-processor	16 bits		ISO3309
Checksum	32-bit in software implementation	32 bits		ISO3309
SAC dedicated APIs from com.oberthurcs.javacard.sac.sac	AES TDES ECDH	128 up to 256 bits 128 bits 160 to 521 bits	greater than 128 bits TDES 168 bits Greater than 200 bits	
Java Package tools for applets "com.oberthurcs.javacard.utilSM"	TDES AES	112 or 168 bits 128 up to 256 bits	TDES 168 Greater than 128 bits	

Application Note:

- The TOE shall provide a subset of cryptographic operations defined in [R6] (see javacardx.crypto.Cipher and javacardx.security packages).
- This component shall be instantiated according to the version of the Java Card API applicable to the security target and the implemented algorithms ([R6]).

FCS_RNG.1 Random Number Generation

FCS_RNG.1.1 The TSF shall provide a **deterministic hybrid** random number generator that implements **CTR_DRBG as defined in NIST SP800-90**.

FCS_RNG.1.2 The TSF shall provide random numbers that meet **the average Shannon entropy per internal random bit exceeds 0.994**.

Application Note:

FIPS statistical tests conclude to a 0.994 entropy.

FDP_RIP.1/ABORT Subset residual information protection

FDP_RIP.1.1/ABORT The TSF shall ensure that any previous information content of a resource is made unavailable upon the **deallocation of the resource from** the following objects: **any reference to an object instance created during an aborted transaction**.

Application Note:

The events that provoke the de-allocation of a transient object are described in [R7], §5.1.

FDP_RIP.1/APDU Subset residual information protection

FDP_RIP.1.1/APDU The TSF shall ensure that any previous information content of a resource is made unavailable upon the **allocation of the resource to** the following objects: **the APDU buffer**.

FDP_RIP.1/GlobalArray Subset residual information protection

FDP_RIP.1.1/GlobalArray [Refined] The TSF shall ensure that any previous information content of a resource is made unavailable upon **deallocation of the resource from** the applet as a result of returning from the process method to the following objects: **a user Global Array**.

Application Note:

An array resource is allocated when a call to the API method JCSYSTEM.makeGlobalArray is performed. The Global Array is created as a transient JCRE Entry Point Object ensuring that reference to it cannot be retained by any application. On return from the method which called JCSYSTEM.makeGlobalArray, the array is no longer available to any applet and is deleted and the memory in use by the array is cleared and reclaimed in the next object deletion cycle.

FDP_RIP.1/bArray Subset residual information protection

FDP_RIP.1.1/bArray The TSF shall ensure that any previous information content of a resource is made unavailable upon the **deallocation of the resource from** the following objects: **the bArray object**.

Application Note:

A resource is allocated to the bArray object when a call to an applet's install() method is performed. There is no conflict with FDP_ROL.1 here because of the bounds on the rollback mechanism (FDP_ROL.1.2/FIREWALL): the scope of the rollback does not extend outside the execution of the install() method, and the de-allocation occurs precisely right after the return of it.

FDP_RIP.1/KEYS Subset residual information protection

FDP_RIP.1.1/KEYS The TSF shall ensure that any previous information content of a resource is made unavailable upon the **deallocation of the resource from** the following objects: **the cryptographic buffer (D.CRYPTO)**.

Application Note:

The javacard.security & javacardx.crypto packages do provide secure interfaces to the cryptographic buffer in a transparent way. See javacard.security.KeyBuilder and Key interface of [R6].

FDP_RIP.1/TRANSIENT Subset residual information protection

FDP_RIP.1.1/TRANSIENT The TSF shall ensure that any previous information content of a resource is made unavailable upon the **deallocation of the resource from** the following objects: **any transient object**.

Application Note:

- The events that provoke the de-allocation of any transient object are described in [R7], §5.1.
- The clearing of CLEAR_ON_DESELECT objects is not necessarily performed when the owner of the objects is deselected. In the presence of multiselectable applet instances, CLEAR_ON_DESELECT memory segments may be attached to applets that are active in different logical channels. Multiselectable applet instances within a same package must share the transient memory segment if they are concurrently active ([R7], §4.2).

FDP_ROL.1/FIREWALL Basic rollback

FDP_ROL.1.1/FIREWALL The TSF shall enforce **the FIREWALL access control SFP and the JCVM information flow control SFP** to permit the rollback of the **operations OP.JAVA and OP.CREATE** on the **object O.JAVAOBJECT**.

FDP_ROL.1.2/FIREWALL The TSF shall permit operations to be rolled back within the **scope of a select(), deselect(), process(), install() or uninstall() call, notwithstanding the restrictions given in [R7], §7.7, within the bounds of the Commit Capacity ([R7], §7.8), and those described in [R6]**.

Application Note:

Transactions are a service offered by the APIs to applets. It is also used by some APIs to guarantee the atomicity of some operation. This mechanism is either implemented in Java Card platform or relies on the transaction mechanism offered by the underlying platform. Some operations of the API are not conditionally updated, as documented in [R6] (see for instance, PIN-blocking, PIN-checking, update of Transient objects).

7.1.1.3 Card Security Management**FAU_ARP.1 Security alarms**

FAU_ARP.1.1 The TSF shall take **one of the following actions:**

- o **throw an exception,**
- o **lock the card session,**
- o **reinitialize the Java Card System and its data,**
- o **response with error code to S.CAD**

, upon detection of a potential security violation.

Refinement:

The "potential security violation" stands for one of the following events:

- CAP file inconsistency,
- typing error in the operands of a bytecode,
- applet life cycle inconsistency,
- card tearing (unexpected removal of the Card out of the CAD) and power failure,
- abort of a transaction in an unexpected context, (see abortTransaction(), [R6] and R[7], §7.6.2)
- violation of the Firewall or JCVM SFPs,
- unavailability of resources,
- array overflow

FDP_SDI.2/DATA Stored data integrity monitoring and action

FDP_SDI.2.1/DATA The TSF shall monitor user data stored in containers controlled by the TSF for **integrity errors** on all objects, based on the following attributes: **integrityControlledData**.

FDP_SDI.2.2/DATA Upon detection of a data integrity error, the TSF shall **increase counter of the Killcard file. If the maximum is reached the killcard is launched.**

Application Note:

The following data persistently stored by TOE have the user data attribute "integrityControlledData ":

- PINs (i.e. objects instance of class OwnerPin or subclass of interface PIN)
- Keys (i.e. objects instance of classes implemented the interface Key)
- SecureStores (i.e. objects instance of class SecureStore)
- Packages Java Card
- Patches

FPR_UNO.1 Unobservability

FPR_UNO.1.1 [Editorially Refined] The TSF shall ensure that **any user** is unable to observe the operation **Cardholder authentication** on **D.PIN** by **no user and no subject**.

Application Note:

The non-observability of operations on sensitive information such as keys appears as impossible to circumvent in the smart card world. The precise list of operations and objects is left unspecified, but should at least concern secret keys and PIN values when they exist on the card, as well as the cryptographic operations and comparisons performed on them.

FPT_FLS.1 Failure with preservation of secure state

FPT_FLS.1.1 The TSF shall preserve a secure state when the following types of failures occur: **those associated to the potential security violations described in FAU_ARP.1.**

Application Note:

The Java Card RE Context is the Current context when the Java Card VM begins running after a card reset ([R7], §6.2.3) or after a proximity card (PICC) activation sequence ([R7]). Behaviour of the TOE on power loss and reset is described in [R7], §3.6 and §7.1. Behaviour of the TOE on RF signal loss is described in [R7], §3.6.1.

FPT_TDC.1 Inter-TSF basic TSF data consistency

FPT_TDC.1.1 The TSF shall provide the capability to consistently interpret **the CAP files, the bytecode and its data arguments**, when shared between the TSF and another trusted IT product.

FPT_TDC.1.2 The TSF shall use

- o **the rules defined in [R8] specification,**
- o **the API tokens defined in the export files of reference implementation**

when interpreting the TSF data from another trusted IT product.

Application Note:

Concerning the interpretation of data between the TOE and the underlying Java Card platform, it is assumed that the TOE is developed consistently with the SCP functions, including memory management, I/O functions and cryptographic functions.

7.1.1.4 AID Management

FIA_ATD.1/AID User attribute definition

FIA_ATD.1.1/AID The TSF shall maintain the following list of security attributes belonging to individual users:

- o **Package AID,**
- o **Applet's version number,**
- o **Registered applet AID,**
- o **Applet Selection Status.**

Refinement:

"Individual users" stand for applets.

FIA_UID.2/AID User identification before any action

FIA_UID.2.1/AID The TSF shall require each user to be successfully identified before allowing any other TSF-mediated actions on behalf of that user.

Application Note:

- By users here it must be understood the ones associated to the packages (or applets) that act as subjects of policies. In the Java Card System, every action is always performed by an identified user interpreted here as the currently selected applet or the package that is the subject's owner. Means of identification are provided during the loading procedure of the package and the registration of applet instances.
- The role Java Card RE defined in FMT_SMR.1 is attached to an IT security function rather than to a "user" of the CC terminology. The Java Card RE does not "identify" itself to the TOE, but it is part of it.

FIA_USB.1/AID User-subject binding

FIA_USB.1.1/AID The TSF shall associate the following user security attributes with subjects acting on the behalf of that user: **Package AID**.

FIA_USB.1.2/AID The TSF shall enforce the following rules on the initial association of user security attributes with subjects acting on the behalf of users: **for each loaded package is associated an unique Package AID**.

FIA_USB.1.3/AID The TSF shall enforce the following rules governing changes to the user security attributes associated with subjects acting on the behalf of users: **The initially assigned Package AID is unchangeable**.

Application Note:

The user is the applet and the subject is the S.PACKAGE. The subject security attribute "Context" shall hold the user security attribute "Package AID".

FMT_MTD.1/JCRE Management of TSF data

FMT_MTD.1.1/JCRE The TSF shall restrict the ability to **modify the list of registered applets' AIDs to the JCRE**.

Application Note:

- The installer and the Java Card RE manage other TSF data such as the applet life cycle or CAP files, but this management is implementation specific. Objects in the Java programming language may also try to query AIDs of installed applets through the lookupAID(...) API method.
- The installer, applet deletion manager or even the card manager may be granted the right to modify the list of registered applets' AIDs in specific implementations (possibly needed for installation and deletion; see #.DELETION and #.INSTALL).

FMT_MTD.3/JCRE Secure TSF data

FMT_MTD.3.1/JCRE The TSF shall ensure that only secure values are accepted for **the registered applets' AIDs**.

7.1.2 InstG Security Functional Requirements

This group consists of the SFRs related to the installation of the applets, which addresses security aspects outside the runtime. The installation of applets is a critical phase, which lies partially out of the Boundary of the firewall, and therefore requires specific treatment. In this ST, loading a package or installing an applet modeled as importation of user data (that is, user application's data) with its security attributes (such as the parameters of the applet used in the firewall rules).

FDP_ITC.2/Installer Import of user data with security attributes

FDP_ITC.2.1/Installer The TSF shall enforce the **PACKAGE LOADING information flow control SFP** when importing user data, controlled under the SFP, from outside of the TOE.

FDP_ITC.2.2/Installer The TSF shall use the security attributes associated with the imported user data.

FDP_ITC.2.3/Installer The TSF shall ensure that the protocol used provides for the unambiguous association between the security attributes and the user data received.

FDP_ITC.2.4/Installer The TSF shall ensure that interpretation of the security attributes of the imported user data is as intended by the source of the user data.

FDP_ITC.2.5/Installer The TSF shall enforce the following rules when importing user data controlled under the SFP from outside the TOE: **Package loading is allowed only if, for each dependent package, its AID attribute is equal to a resident package AID attribute, the major (minor) Version attribute associated to the dependent package is lesser than or equal to the major (minor) Version attribute associated to the resident package ([R8], §4.5.2).**

Application Note:

FDP_ITC.2.1/Installer:

- The most common importation of user data is package loading and applet installation on the behalf of the installer. Security attributes consist of the shareable flag of the class component, AID and version numbers of the package, maximal operand stack size and number of local variables for each method, and export and import components (accessibility).

FDP_ITC.2.3/Installer:

- The format of the CAP file is precisely defined in [R8] specifications; it contains the user data (like applet's code and data) and the security attributes altogether. Therefore there is no association to be carried out elsewhere.

FDP_ITC.2.4/Installer:

- Each package contains a package Version attribute, which is a pair of major and minor version numbers ([R8], §4.5). With the AID, it describes the package defined in the CAP file. When an export file is used during preparation of a CAP file, the versions numbers and AIDs indicated in the export file are recorded in the CAP files ([R8], §4.5.2): the dependent packages Versions and AIDs attributes allow the retrieval of these identifications. Implementation-dependent checks may occur on a case-by-case basis to indicate that package files are binary compatible. However, package files do have "package Version Numbers" ([R8]) used to indicate binary compatibility or incompatibility between successive implementations of a package, which obviously directly concern this requirement.

FDP_ITC.2.5/Installer:

- A package may depend on (import or use data from) other packages already installed. This dependency is explicitly stated in the loaded package in the form of a list of package AIDs.
- The intent of this rule is to ensure the binary compatibility of the package with those already on the card ([R8], §4.4).
- The installation (the invocation of an applet's install method by the installer) is implementation dependent ([R7], §11.2).
- Other rules governing the installation of an applet, that is, its registration to make it SELECTable by giving it a unique AID, are also implementation dependent (see, for example, [R7], §11).

FMT_SMR.1/Installer Security roles

FMT_SMR.1.1/Installer The TSF shall maintain the roles **S.INSTALLER**.

FMT_SMR.1.2/Installer The TSF shall be able to associate users with roles.

FPT_FLS.1/Installer Failure with preservation of secure state

FPT_FLS.1.1/Installer The TSF shall preserve a secure state when the following types of failures occur: **the installer fails to load/install a package/applet as described in [R7] §11.1.4.**

Application Note:

The TOE may provide additional feedback information to the card manager in case of potential security violations (see FAU_ARP.1).

FPT_RCV.3/Installer Automated recovery without undue loss

FPT_RCV.3.1/Installer When automated recovery from **none** is not possible, the TSF shall enter a maintenance mode where the ability to return to a secure state is provided.

Refinement:

There is no maintenance mode on the TOE.

FPT_RCV.3.2/Installer For a failure during load/installation of a package/applet and deletion of a package/applet/object, the TSF shall ensure the return of the TOE to a secure state using automated procedures.

FPT_RCV.3.3/Installer The functions provided by the TSF to recover from failure or service discontinuity shall ensure that the secure initial state is restored without exceeding **0%** for loss of TSF data or objects under the control of the TSF.

FPT_RCV.3.4/Installer The TSF shall provide the capability to determine the objects that were or were not capable of being recovered.

Application Note:

FPT_RCV.3.1/Installer:

- This element is not within the scope of the Java Card specification, which only mandates the behaviour of the Java Card System in good working order. Further details on the "maintenance mode" shall be provided in specific implementations. The following is an excerpt from [CC2], p296: In this maintenance mode normal operation might be impossible or severely restricted, as otherwise insecure situations might occur. Typically, only authorised users should be allowed access to this mode but the real details of who can access this mode is a function of FMT: Security management. If FMT: Security management does not put any controls on who can access this mode, then it may be acceptable to allow any user to restore the system if the TOE enters such a state. However, in practice, this is probably not desirable as the user restoring the system has an opportunity to configure the TOE in such a way as to violate the SFRs.

FPT_RCV.3.2/Installer:

- Should the installer fail during loading/installation of a package/applet, it has to revert to a "consistent and secure state". The Java Card RE has some clean up duties as well; see [R7], §11.1.5 for possible scenarios. Precise behaviour is left to implementers. This component shall include among the listed failures the deletion of a package/applet. See ([R7], 11.3.4) for possible scenarios. Precise behaviour is left to implementers.
- Other events such as the unexpected tearing of the card, power loss, and so on, are partially handled by the underlying hardware platform (see [R24]) and, from the TOE's side, by events "that clear transient objects" and transactional features. See FPT_FLS.1.1, FDP_RIP.1/TRANSIENT, FDP_RIP.1/ABORT and FDP_ROL.1/FIREWALL.

FPT_RCV.3.3/Installer:

- The quantification is implementation dependent, but some facts can be recalled here. First, the SCP ensures the atomicity of updates for fields and objects, and a power-failure during a transaction or the normal runtime does not create the loss of otherwise-permanent data, in the sense that memory on a smart card is essentially persistent with this respect (Flash). Data stored on the RAM and subject to such failure is intended to have a limited lifetime anyway (runtime data on the stack, transient objects' contents). According to this, the loss of data within the TSF scope should be limited to the same restrictions of the transaction mechanism.

7.1.3 ADELG Security Functional Requirements

This group consists of the SFRs related to the deletion of applets and/or packages, enforcing the applet deletion manager (ADEL) policy on security aspects outside the runtime. Deletion is a critical operation and therefore requires specific treatment. This policy is better thought as a frame to be filled by ST implementers.

FDP_ACC.2/ADEL Complete access control

FDP_ACC.2.1/ADEL The TSF shall enforce the **ADEL access control SFP** on **S.ADEL, S.JCRE, S.JCVM, O.JAVAOBJECT, O.APPLET** and **O.CODE_PKG** and all operations among subjects and objects covered by the SFP.

Refinement:

The operations involved in the policy are:

- o OP.DELETE_APPLET,
- o OP.DELETE_PCKG,
- o OP.DELETE_PCKG_APPLET.

FDP_ACC.2.2/ADEL The TSF shall ensure that all operations between any subject controlled by the TSF and any object controlled by the TSF are covered by an access control SFP.

FDP_ACF.1/ADEL Security attribute based access control

FDP_ACF.1.1/ADEL The TSF shall enforce the **ADEL access control SFP** to objects based on the following:

Subject/Object	Attributes
S.JCVM	Active Applets
S.JCRE	Selected Applet Context, Registered Applets, Resident Packages
O.CODE_PKG	Package AID, Dependent Package AID, Static References
O.APPLET	Applet Selection Status
O.JAVAOBJECT	Owner, Remote

FDP_ACF.1.2/ADEL The TSF shall enforce the following rules to determine if an operation among controlled subjects and controlled objects is allowed: **In the context of this policy, an object O is reachable if and only if one of the following conditions hold:**

- o **(1) the owner of O is a registered applet instance A (O is reachable from A),**
- o **(2) a static field of a resident package P contains a reference to O (O is reachable from P),**
- o **(3) there exists a valid remote reference to O (O is remote reachable),**

- (4) there exists an object O' that is reachable according to either (1) or (2) or (3) above and O' contains a reference to O (the reachability status of O is that of O').

The following access control rules determine when an operation among controlled subjects and objects is allowed by the policy:

- **R.JAVA.14 ([R7], §11.3.4.2, Applet Instance Deletion):** S.ADEL may perform OP.DELETE_APPLET upon an O.APPLET only if,
 - (1) S.ADEL is currently selected,
 - (2) there is no instance in the context of O.APPLET that is active in any logical channel and
 - (3) there is no O.JAVAOBJECT owned by O.APPLET such that either O.JAVAOBJECT is reachable from an applet instance distinct from O.APPLET, or O.JAVAOBJECT is reachable from a package P, or ([R7], §8.5) O.JAVAOBJECT is remote reachable.
- **R.JAVA.15 ([R7], §11.3.4.2.1, Multiple Applet Instance Deletion):** S.ADEL may perform OP.DELETE_APPLET upon several O.APPLET only if,
 - (1) S.ADEL is currently selected,
 - (2) there is no instance of any of the O.APPLET being deleted that is active in any logical channel and
 - (3) there is no O.JAVAOBJECT owned by any of the O.APPLET being deleted such that either O.JAVAOBJECT is reachable from an applet instance distinct from any of those O.APPLET, or O.JAVAOBJECT is reachable from a package P, or ([R7], §8.5) O.JAVAOBJECT is remote reachable.
- **R.JAVA.16 ([R7], §11.3.4.2, Applet/Library Package Deletion):** S.ADEL may perform OP.DELETE_PCKG upon an O.CODE_PKG only if,
 - (1) S.ADEL is currently selected,
 - (2) no reachable O.JAVAOBJECT, from a package distinct from O.CODE_PKG that is an instance of a class that belongs to O.CODE_PKG, exists on the card and
 - (3) there is no resident package on the card that depends on O.CODE_PKG.
- **R.JAVA.17 ([R7], §11.3.4.4, Applet Package and Contained Instances Deletion):** S.ADEL may perform OP.DELETE_PCKG_APPLET upon an O.CODE_PKG only if,
 - (1) S.ADEL is currently selected,
 - (2) no reachable O.JAVAOBJECT, from a package distinct from O.CODE_PKG, which is an instance of a class that belongs to O.CODE_PKG exists on the card,
 - (3) there is no package loaded on the card that depends on O.CODE_PKG, and
 - (4) for every O.APPLET of those being deleted it holds that: (i) there is no instance in the context of O.APPLET that is active in any logical channel and (ii) there is no O.JAVAOBJECT owned by O.APPLET such that either O.JAVAOBJECT is reachable from an applet instance not being deleted, or O.JAVAOBJECT is reachable from a package not being deleted, or ([R7], §8.5) O.JAVAOBJECT is remote reachable.

FDP_ACF.1.3/ADEL The TSF shall explicitly authorise access of subjects to objects based on the following additional rules: **none**.

FDP_ACF.1.4/ADEL The TSF shall explicitly deny access of subjects to objects based on the following additional rules: **any subject but S.ADEL to O.CODE_PKG or O.APPLLET for the purpose of deleting them from the card.**

Application Note:

FDP_ACF.1.2/ADEL:

- This policy introduces the notion of reachability, which provides a general means to describe objects that are referenced from a certain applet instance or package.
- S.ADEL calls the "uninstall" method of the applet instance to be deleted, if implemented by the applet, to inform it of the deletion request. The order in which these calls and the dependencies checks are performed are out of the scope of this Security Target.

FDP_RIP.1/ADEL Subset residual information protection

FDP_RIP.1.1/ADEL The TSF shall ensure that any previous information content of a resource is made unavailable upon the **deallocation of the resource from** the following objects: **applet instances and/or packages when one of the deletion operations in FDP_ACC.2.1/ADEL is performed on them.**

Application Note:

Deleted freed resources (both code and data) may be reused, depending on the way they were deleted (logically or physically). Requirements on de-allocation during applet/package deletion are described in [R7], §11.3.4.2, §11.3.4.3 and §11.3.4.4.

FMT_MSA.1/ADEL Management of security attributes

FMT_MSA.1.1/ADEL The TSF shall enforce the **ADEL access control SFP** to restrict the ability to **modify** the security attributes **Registered Applets and Resident Packages to the Java Card RE.**

FMT_MSA.3/ADEL Static attribute initialisation

FMT_MSA.3.1/ADEL The TSF shall enforce the **ADEL access control SFP** to provide **restrictive** default values for security attributes that are used to enforce the SFP.

FMT_MSA.3.2/ADEL The TSF shall allow the **following role(s): none** to specify alternative initial values to override the default values when an object or information is created.

FMT_SMF.1/ADEL Specification of Management Functions

FMT_SMF.1.1/ADEL The TSF shall be capable of performing the following management functions: **modify the list of registered applets' AIDs and the Resident Packages.**

Application Note:

The modification of the Active Applets security attribute should be performed in accordance with the rules given in [R7], §4.

FMT_SMR.1/ADEL Security roles

FMT_SMR.1.1/ADEL The TSF shall maintain the roles **applet deletion manager**.

FMT_SMR.1.2/ADEL The TSF shall be able to associate users with roles.

FPT_FLS.1/ADEL Failure with preservation of secure state

FPT_FLS.1.1/ADEL The TSF shall preserve a secure state when the following types of failures occur: **the applet deletion manager fails to delete a package/applet as described in [R7], §11.3.4.**

Application Note:

- The TOE may provide additional feedback information to the card manager in case of a potential security violation (see FAU_ARP.1).
- The Package/applet instance deletion must be atomic. The "secure state" referred to in the requirement must comply with Java Card specification ([R7], §11.3.4.)

7.1.4 ODELG Security Functional Requirements

The following requirements concern the object deletion mechanism. This mechanism is triggered by the applet that owns the deleted objects by invoking a specific API method.

FDP_RIP.1/ODEL Subset residual information protection

FDP_RIP.1.1/ODEL The TSF shall ensure that any previous information content of a resource is made unavailable upon the **deallocation of the resource from** the following objects: **the objects owned by the context of an applet instance which triggered the execution of the method javacard.framework.JCSystem.requestObjectDeletion().**

Application Note:

- Freed data resources resulting from the invocation of the method `javacard.framework.JCSystem.requestObjectDeletion()` may be reused. Requirements on de-allocation after the invocation of the method are described in [R6].
- There is no conflict with FDP_ROL.1 here because of the bounds on the rollback mechanism: the execution of `requestObjectDeletion()` is not in the scope of the rollback because it must be performed in between APDU command processing, and therefore no transaction can be in progress.

FPT_FLS.1/ODEL Failure with preservation of secure state

FPT_FLS.1.1/ODEL The TSF shall preserve a secure state when the following types of failures occur: **the object deletion functions fail to delete all the unreferenced objects owned by the applet that requested the execution of the method.**

Application Note:

The TOE may provide additional feedback information to the card manager in case of potential security violation (see FAU_ARP.1).

7.1.5 CarG Security Functional Requirements

This group includes requirements for preventing the installation of packages that has not been bytecode verified, or that has been modified after bytecode verification.

7.1.5.1 Miscellaneous

FCO_NRO.2/CM Enforced proof of origin

FCO_NRO.2.1/CM The TSF shall enforce the generation of evidence of origin for transmitted **application packages** at all times.

FCO_NRO.2.2/CM The TSF shall be able to relate the **identity** of the originator of the information, and the **application package** of the information to which the evidence applies.

FCO_NRO.2.3/CM The TSF shall provide a capability to verify the evidence of origin of information to **recipient** given **immediate verification**.

Application Note:

FCO_NRO.2.1/CM:

- Upon reception of a new application package for installation, the card manager shall first check that it actually comes from the verification authority and represented by the subject S.BCV. The verification authority is indeed the entity responsible for bytecode verification.

FCO_NRO.2.3/CM:

- The exact limitations on the evidence of origin are implementation dependent. In most of the implementations, the card manager performs an immediate verification of the origin of the package using an electronic signature mechanism, and no evidence is kept on the card for future verifications.

FDP_IFC.2/CM Complete information flow control

FDP_IFC.2.1/CM The TSF shall enforce the **PACKAGE LOADING information flow control SFP** on **S.INSTALLER, S.BCV, S.CAD and I.APDU** and all operations that cause that information to flow to and from subjects covered by the SFP.

FDP_IFC.2.2/CM The TSF shall ensure that all operations that cause any information in the TOE to flow to and from any subject in the TOE are covered by an information flow control SFP.

Application Note:

- The subjects covered by this policy are those involved in the loading of an application package by the card through a potentially unsafe communication channel.
- The operations that make information to flow between the subjects are those enabling to send a message through and to receive a message from the communication channel linking the card to the outside world. It is assumed that any message sent through the channel as clear text can be read by an attacker. Moreover, an attacker may capture any message sent through the communication channel and send its own messages to the other subjects.
- The information controlled by the policy is the APDUs exchanged by the subjects through the communication channel linking the card and the CAD. Each of those messages contain part of an application package that is required to be loaded on the card, as well as any control information used by the subjects in the communication protocol.

FDP_IFF.1/CM Simple security attributes

FDP_IFF.1.1/CM The TSF shall enforce the **PACKAGE LOADING information flow control SFP** based on the following types of subject and information security attributes: **LoadFile, Dap**.

FDP_IFF.1.2/CM The TSF shall permit an information flow between a controlled subject and controlled information via a controlled operation if the following rules hold: **the rules describing the communication protocol used by the CAD and the card for transmitting a new package, see chapter 9.3.9 [R9]**.

FDP_IFF.1.3/CM The TSF shall enforce the **none**.

FDP_IFF.1.4/CM The TSF shall explicitly authorise an information flow based on the following rules: **none**.

FDP_IFF.1.5/CM The TSF shall explicitly deny an information flow based on the following rules: **the rules describing the communication protocol used by the CAD and the card for transmitting a new package, see chapter 9.3.9 [R9]**.

Application Note:

FDP_IFF.1.1/CM:

- The security attributes used to enforce the PACKAGE LOADING SFP are implementation dependent. More precisely, they depend on the communication protocol enforced between the CAD and the card. For instance, some of the attributes that can be used are: (1) the keys used by the subjects to encrypt/decrypt their messages; (2) the number of pieces the application package has been split into in order to be sent to the card; (3) the ordinal of each piece in the decomposition of the package, etc. See for example Appendix D of [R12].

FDP_IFF.1.2/CM:

- The precise set of rules to be enforced by the function is implementation dependent. The whole exchange of messages shall verify at least the following two rules: (1) the subject S.INSTALLER shall accept a message only if it comes from the subject S.CAD; (2) the subject S.INSTALLER shall accept an application package only if it has received without modification and in the right order all the APDUs sent by the subject S.CAD.

FDP_UIT.1/CM Data exchange integrity

FDP_UIT.1.1/CM The TSF shall enforce the **PACKAGE LOADING information flow control SFP** to **receive** user data in a manner protected from **deletion, insertion, replay and modification** errors.

FDP_UIT.1.2/CM [Editorially Refined] The TSF shall be able to determine on receipt of user data, whether **modification, deletion, insertion and replay** of some of the pieces of the application sent by the CAD has occurred.

Application Note:

Modification errors should be understood as modification, substitution, unrecoverable ordering change of data and any other integrity error that may cause the application package to be installed on the card to be different from the one sent by the CAD.

FIA_UID.1/CM Timing of identification

FIA_UID.1.1/CM The TSF shall allow **Execution of Card Manager** on behalf of the user to be performed before the user is identified.

FIA_UID.1.2/CM The TSF shall require each user to be successfully identified before allowing any other TSF-mediated actions on behalf of that user.

Application Note:

The list of TSF-mediated actions is implementation-dependent, but package installation requires the user to be identified. Here by user is meant the one(s) that in the Security Target shall be associated to the role(s) defined in the component FMT_SMR.1/CM.

FMT_MSA.1/CM Management of security attributes

FMT_MSA.1.1/CM The TSF shall enforce the **PACKAGE LOADING information flow control SFP** to restrict the ability to **modify** the security attributes **AS.KEYSET_VERSION, AS.KEYSET_VALUE, Default SELECTED Privileges, AS.CMLIFECYC** to **R.Card_Manager**.

FMT_MSA.3/CM Static attribute initialisation

FMT_MSA.3.1/CM The TSF shall enforce the **PACKAGE LOADING information flow control SFP** to provide **restrictive** default values for security attributes that are used to enforce the SFP.

FMT_MSA.3.2/CM The TSF shall allow the **Card manager** to specify alternative initial values to override the default values when an object or information is created.

FMT_SMF.1/CM Specification of Management Functions

FMT_SMF.1.1/CM The TSF shall be capable of performing the following management functions: **Modify the following security attributes: AS.KEYSET_VERSION, AS.KEYSET_VALUE, Default SELECTED Privileges, AS.CMLIFECYC.**

FMT_SMR.1/CM Security roles

FMT_SMR.1.1/CM The TSF shall maintain the roles **Card manager**.

FMT_SMR.1.2/CM The TSF shall be able to associate users with roles.

FTP_ITC.1/CM Inter-TSF trusted channel

FTP_ITC.1.1/CM The TSF shall provide a communication channel between itself and another trusted IT product that is logically distinct from other communication channels and provides assured identification of its end points and protection of the channel data from modification or disclosure.

FTP_ITC.1.2/CM [Editorially Refined] The TSF shall permit **the CAD placed in the card issuer secured environment** to initiate communication via the trusted channel.

FTP_ITC.1.3/CM The TSF shall initiate communication via the trusted channel for **loading/installing a new application package on the card.**

Application Note:

New packages can be installed on the card only on demand of the card issuer.

7.1.5.2 Additional Security Functional Requirements for CM

FPT_TST.1 TSF testing

FPT_TST.1.1 The TSF shall run a suite of self tests **during initial start-up** to demonstrate the correct operation of **the TSF**.

FPT_TST.1.2 The TSF shall provide authorised users with the capability to verify the integrity of **TSF data**.

FPT_TST.1.3 The TSF shall provide authorised users with the capability to verify the integrity of **stored TSF executable code**.

Application Note:

Namely, "stored TSF executable code" encompasses the patch and java packages. During startup, the TOE checks the integrity of the patch/java packages. To do so, the related bits should have been set accordingly at the pre-personalisation phase, c.f. AGD_PRE [R33] section Lock POST (DO 'DF41').

Other self-tests are described in AGD_PRE [R33] section Lock POST (DO 'DF41'). Namely, According to the protocol used Known Answer Test (or POST for Power On Self Tests) checks SHA, RSA, ECDSA either in startup or during 1st use. Those latter tests are configurable.

RNG, CRC, DES and AES set of self-tests can be performed in startup, regarding the configuration.

FCO_NRO.2/CM_DAP Enforced proof of origin

FCO_NRO.2.1/CM_DAP The TSF shall enforce the generation of evidence of origin for transmitted **Loadfile** at all times.

FCO_NRO.2.2/CM_DAP The TSF shall be able to relate the **AS.KEYSET_VALUE** of the originator of the information, and the **CAP file components** of the information to which the evidence applies.

FCO_NRO.2.3/CM_DAP The TSF shall provide a capability to verify the evidence of origin of information to **recipient** given **during CAP file loading**.

FIA_AFL.1/CM Authentication failure handling

FIA_AFL.1.1/CM The TSF shall detect when **1** unsuccessful authentication attempts occur related to **U.Card_Issuer authentication**.

FIA_AFL.1.2/CM When the defined number of unsuccessful authentication attempts has been **met**, the TSF shall **slow down exponentially the next authentication**.

FIA_UAU.1/CM Timing of authentication

FIA_UAU.1.1/CM The TSF shall allow **Get Data, Initialize Update, Select** on behalf of the user to be performed before the user is authenticated.

FIA_UAU.1.2/CM The TSF shall require each user to be successfully authenticated before allowing any other TSF-mediated actions on behalf of that user.

FIA_UAU.4/CardIssuer Single-use authentication mechanisms

FIA_UAU.4.1/CardIssuer The TSF shall prevent reuse of authentication data related to **Authentication Mechanism based on Triple-DES and/or AES**.

Application Note:

The authentication mechanism, used to open a secure channel communication with the card issuer, use a challenge freshly and randomly generated by the TOE in order to prevent reuse of a response generated by a terminal in a successful authentication attempt.

FIA_UAU.7/CardIssuer Protected authentication feedback

FIA_UAU.7.1/CardIssuer The TSF shall provide only **the result of the authentication (NOK), the key set version, Secure channel identifier and the card random and the card cryptogram** to the user while the authentication is in progress.

FPR_UNO.1/Key_CM Unobservability

FPR_UNO.1.1/Key_CM The TSF shall ensure that **all subjects** are unable to observe the operation **OP.IMPORT_KEY** on **Key** by **D.JCS_KEYS**.

FPT_TDC.1/CM Inter-TSF basic TSF data consistency

FPT_TDC.1.1/CM The TSF shall provide the capability to consistently interpret **AS.KEYSET_VALUE** when shared between the TSF and another trusted IT product.

FPT_TDC.1.2/CM The TSF shall use **the rules defined in the GP [R9] section 11.8** when interpreting the TSF data from another trusted IT product.

FMT_SMR.2/CM Restrictions on security roles

FMT_SMR.2.1/CM The TSF shall maintain the roles: **see below**.

FMT_SMR.2.2/CM The TSF shall be able to associate users with roles.

FMT_SMR.2.3/CM The TSF shall ensure that the conditions **see details below** are satisfied.

Roles	Condition for this role
R.personaliser	Successful authentication (Card Issuer) using a key set of the Card Manager or Security Domain associates with CM life cycle phase from OP_READY to SECURED
R.Card_Manager	Successful authentication (of Card Issuer) using its key set, with CM life cycle phase from OP_READY to SECURED
R.Security_Domain	Successful authentication (of application provider) using its key set, with CM life cycle phase different from locked
R.Use_API	Successful identification (of Applet), with Applet life cycle phase after SELECTABLE
R.Applet_privilege	have the privilege to modify CM life cycle, ATR, and also Global Pin

FCS_COP.1/CM Cryptographic operation

FCS_COP.1.1/CM The TSF shall perform **see table below** in accordance with a specified cryptographic algorithm **see table below** and cryptographic key sizes **see table below** that meet the following:

Cryptographic operation	Algorithm	Key length	Standard
TOE authentication key ISK/KMC	SCP02	112 bits	GP 2.3
TOE authentication key ISK/KMC	SCP03	128/192/256 bits	GP 2.3
SCP02 - signature, verification of signature, encryption and decryption (KEK (key encryption key) for sensitive objects such as PIN, keys ... is mandatory)	TDES	112 bits	SCP02 – GP 2.3
SCP03 - signature, verification of signature, encryption and decryption	AES	128/192/256 bits	SCP03 – GP 2.3

7.1.5.3 Additional Security Functional Requirements for Resident application

FDP_ACC.2/PP Complete access control

FDP_ACC.2.1/PP [Editorially Refined] The TSF shall enforce the **Access Control** on **see below** and all operations among subjects and objects covered by the SFP.

Access Control	Subject/Object
Administration Access Control	S.Resident application, S.TOE, R.Prepersonaliser and R.Personaliser / for all objects
Patch Loading Access Control	S.TOE and U.Card_Issuer / for all objects

FDP_ACC.2.2/PP The TSF shall ensure that all operations between any subject controlled by the TSF and any object controlled by the TSF are covered by an access control SFP.

FDP_ACF.1/PP Security attribute based access control

FDP_ACF.1.1/PP The TSF shall enforce the **Administration access control and Patch loading access control** to objects based on the following:

Subject	Attribute
R.Prepersonaliser and R.Personaliser	AS.AUTH_MSK_STATUS AS.MSK_KEY_VALUE AS.MSK_KEY_COUNTER
U.Card_Issuer	AS.JSK_KEY_VALUE AS.JSK_KEY_COUNTER

FDP_ACF.1.2/PP The TSF shall enforce the following rules to determine if an operation among controlled subjects and controlled objects is allowed:

- o **R.Prepersonaliser, R.Personaliser and U.Card_Issuer are allowed to load a patch if:**
 - **correctly encrypted with the dedicated key**
 - **the memory area to be modified is genuine.**

FDP_ACF.1.3/PP The TSF shall explicitly authorise access of subjects to objects based on the following additional rules: **none**.

FDP_ACF.1.4/PP The TSF shall explicitly deny access of subjects to objects based on the following additional rules: **none**.

Application Note:

The dedicated key will be LSK in case of secure update and JSK in case of patch loading.

The patch loading before use phase is in mode 1 using JSK.

The patch loading in user phase is in mode 2 using a diversification of JSK for encryption and computing an additional MAC of the patch.

FDP_UCT.1/PP Basic data exchange confidentiality

FDP_UCT.1.1/PP The TSF shall enforce the **Administration access control and Patch loading access control** to **receive** user data in a manner protected from unauthorised disclosure.

FDP_ITC.1/PP Import of user data without security attributes

FDP_ITC.1.1/PP The TSF shall enforce the **Administration access control and Patch loading access control** when importing user data, controlled under the SFP, from outside of the TOE.

FDP_ITC.1.2/PP The TSF shall ignore any security attributes associated with the user data when imported from outside the TOE.

FDP_ITC.1.3/PP The TSF shall enforce the following rules when importing user data controlled under the SFP from outside the TOE: **none**.

FIA_AFL.1/PP Authentication failure handling

FIA_AFL.1.1/PP The TSF shall detect when **[selection]** unsuccessful authentication attempts occur related to **[list of authentication events]**.

FIA_AFL.1.2/PP When the defined number of unsuccessful authentication attempts has been **met**, the TSF shall **[list of actions]**.

Selection	List of Authentication Events	List of Actions
3	R.Prepersonaliser, R.Personaliser and U.Card_Issuer Authentication	Always return an error

FIA_UAU.1/PP Timing of authentication

FIA_UAU.1.1/PP The TSF shall allow **INITIALIZE AUTHENTICATION PROCESS, GET DATA, MANAGE CHANNEL, SELECT APPLET** on behalf of the user to be performed before the user is authenticated.

FIA_UAU.1.2/PP The TSF shall require each user to be successfully authenticated before allowing any other TSF-mediated actions on behalf of that user.

FIA_UID.1/PP Timing of identification

FIA_UID.1.1/PP The TSF shall allow **INITIALIZE AUTHENTICATION PROCESS, GET DATA, MANAGE CHANNEL, and SELECT APPLET** on behalf of the user to be performed before the user is identified.

FIA_UID.1.2/PP The TSF shall require each user to be successfully identified before allowing any other TSF-mediated actions on behalf of that user.

FMT_MSA.1/PP Management of security attributes

FMT_MSA.1.1/PP The TSF shall enforce the **Administration access control** to restrict the ability to **modify** the security attributes **AS.AUTH_MSK_STATUS, AS.MSK_KEY_VALUE, AS.MSK_KEY_COUNTER** to **R.Prepersonaliser**.

FMT_SMF.1/PP Specification of Management Functions

FMT_SMF.1.1/PP The TSF shall be capable of performing the following management functions: **modify the MSK keys of the Card Manufacturer in Prepersonalisation phase after a successful authentication with the MSK.**

FIA_UAU.4/CardManu Single-use authentication mechanisms

FIA_UAU.4.1/CardManu The TSF shall prevent reuse of authentication data related to **Authentication Mechanism based on Triple-DES and/or AES.**

FIA_UAU.7/CardManu Protected authentication feedback

FIA_UAU.7.1/CardManu The TSF shall provide only **the result of the authentication (NOK) and the random** to the user while the authentication is in progress.

FMT_MOF.1/PP Management of security functions behaviour

FMT_MOF.1.1/PP [Editorially Refined] The TSF shall restrict the ability to **see below** the functions **see below** to

	Functions	Role
Disable	INITIALIZE AUTHENTICATION PROCESS, EXTERNAL/MUTUAL AUTHENTICATE, INSTALL, UPDATE SECURE, LOAD APPLET, GET DATA	R.Prepersonaliser
Modify the behaviour of	Self-tests described in FPT_TST.1	R.Prepersonaliser

Application Note:

The second operation describes the product configuration regarding self tests, as described in AGD_PRE [R33].

FMT_SMR.2/PP Restrictions on security roles

FMT_SMR.2.1/PP The TSF shall maintain the roles: **R.Prepersonaliser, R.Personaliser and U.Card_Issuer.**

FMT_SMR.2.2/PP The TSF shall be able to associate users with roles.

FMT_SMR.2.3/PP The TSF shall ensure that the conditions **see details below** are satisfied.

Roles	Condition for this role
R.Prepersonaliser	Successful authentication (of Card Manufacturer) using MSK and card still in prepersonalisation state, in phase 4-5.
R.Personaliser	Successful authentication (of Personaliser) using ISK and card still in personalisation state, in phase 6.
U.Card_Issuer	Successful authentication (of Card_Issuer) using JSK and card in phase 7.

FMT_MSA.3/PP Static attribute initialisation

FMT_MSA.3.1/PP The TSF shall enforce the **Administration access control and Patch loading access control** to provide **restrictive** default values for security attributes that are used to enforce the SFP.

FMT_MSA.3.2/PP The TSF shall allow the **following role(s):none** to specify alternative initial values to override the default values when an object or information is created.

FCS_COP.1/PP Cryptographic operation

FCS_COP.1.1/PP The TSF shall perform **see table below** in accordance with a specified cryptographic algorithm **see table below** and cryptographic key sizes **see table below** that meet the following:

Cryptographic operation	Algorithm	Key length	Standard
Decryption (MSK)	DES	112 bits	FIPS-PUB 46-3 (ANSI X3.92) [R16], FIPS PUB 81 [R17] or ISO/IEC 9797 [R21], Data integrity mechanism
Card Manufacturer authentication (MSK)	DES	112 bits	FIPS PUB 197 [R25]
Card Manufacturer authentication (MSK)	AES	128, 192 and 256 bits	FIPS-PUB 46-3 (ANSI X3.92) [R16], FIPS PUB 81 [R17] or ISO/IEC 9797 [R21], Data integrity mechanism

Cryptographic operation	Algorithm	Key length	Standard
Decryption of locks ciphered with LSK	AES	128 bits	FIPS-PUB 46-3 (ANSI X3.92) [R16], FIPS PUB 81 [R17] or ISO/IEC 9797 [R21]
Decryption of patch ciphered with JSK	AES	128 bits	FIPS-PUB 46-3 (ANSI X3.92) [R16], FIPS PUB 81 [R17] or ISO/IEC 9797 [R21]
Decryption of patch ciphered with deversified JSK	AES mode CBC and MAC	128 bits	FIPS-PUB 46-3 (ANSI X3.92) [R16], FIPS PUB 81[R17] or ISO/IEC 9797 [R21], FIPS PUB 197 [R25] SP800-38B (CMAC)
ISK MAC verification	DES	112 bits	FIPS PUB 197 [R25]

FCS_CKM.4/PP Cryptographic key destruction

FCS_CKM.4.1/PP The TSF shall destroy cryptographic keys in accordance with a specified cryptographic key destruction method **Key is set to NULL** that meets the following: **no**.

FDP_UIT.1/PP Data exchange integrity

FDP_UIT.1.1/PP The TSF shall enforce the **Administration access control and Patch loading access control** to **receive** user data in a manner protected from **modification** errors.

FDP_UIT.1.2/PP [Editorially Refined] The TSF shall be able to determine on receipt of user data, whether **modification of some of the pieces of the application sent by the TOE developer and Card Manufacturer** has occurred.

Application Note:

Modification errors should be understood as modification, substitution, unrecoverable ordering change of data and any other integrity error that may cause the patch to be installed on the card to be different from the one sent by the TOE Developer. The ISK loading is performed by the Card Manufacturer via the command PUT KEY, its integrity is ensured by a MAC, described in FCS_COP.1/PP.

FCS_CKM.1/PP Cryptographic key generation

FCS_CKM.1.1/PP The TSF shall generate cryptographic keys in accordance with a specified cryptographic key generation algorithm **see table below** and specified cryptographic key sizes **see table below** that meet the following: **see table below**

Cryptographic key generation algorithm	Cryptographic key size	List of standards
TOE's MSK derived from the MSK loaded in phase 1, using SHA-256	16, 24 and 32 bytes	None
JSK Derivation using AES	16 Bytes	NIST SP-800

FAU_STG.2 Guarantees of audit data availability

FAU_STG.2.1 The TSF shall protect the stored audit records in the audit trail from unauthorised deletion.

FAU_STG.2.2 The TSF shall be able to **prevent** unauthorised modifications to the stored audit records in the audit trail.

FAU_STG.2.3 The TSF shall ensure that **Patch code identification** stored audit records will be maintained when the following conditions occur: **audit storage exhaustion, failure and attack**.

7.1.5.4 Additional Security Functional Requirements for Smart Card Platform
FPT_PHP.3/SCP Resistance to physical attack

FPT_PHP.3.1/SCP The TSF shall resist **physical manipulation and physical probing** to the **all TOE components implementing the TSF** by responding automatically such that the SFRs are always enforced.

Application Note:

The physical manipulation and physical probing include: changing operational conditions every times: the frequency of the external clock, power supply, and temperature.

FPT_RCV.4/SCP Function recovery

FPT_RCV.4.1/SCP The TSF shall ensure that **reading from and writing to static and objects' fields interrupted by power loss** have the property that the function either completes successfully, or for the indicated failure scenarios, recovers to a consistent and secure state.

FRU_FLT.1/SCP Degraded fault tolerance

FRU_FLT.1.1/SCP The TSF shall ensure the operation of **Fault tolerance** when the following failures occur: **failure of flash**.

Application Note:

The TOE implements a mechanism to detect a problem of Flash. During the life of the TOE, the Transaction area reduces its size to skip damaged FLASH bytes. During the writing or erasing operations, up to 3 maximum attempts to get successful programming are done.

FPR_UNO.1/USE_KEY Unobservability

FPR_UNO.1.1/USE_KEY The TSF shall ensure that **all subjects** are unable to observe the operation **use** on **key** by **D.JCS_KEYS** and **APP_KEYS**.

7.1.5.5 Additional Security Functional Requirements for the applets**FIA_AFL.1/PIN Authentication failure handling**

FIA_AFL.1.1/PIN The TSF shall detect when **an administrator configurable positive integer within from 1 to 127 for OwnerPIN** unsuccessful authentication attempts occur related to **any user authentication using a PIN**.

FIA_AFL.1.2/PIN When the defined number of unsuccessful authentication attempts has been **met**, the TSF shall **block the PIN**.

FMT_MTD.2/GP_PIN Management of limits on TSF data

FMT_MTD.2.1/GP_PIN The TSF shall restrict the specification of the limits for **D.NB_REMAINTRYGLB, GlobalPIN** to **R.Card_Manager**.

FMT_MTD.2.2/GP_PIN The TSF shall take the following actions, if the TSF data are at, or exceed, the indicated limits: **block D.PIN**

FMT_MTD.1/PIN Management of TSF data

FMT_MTD.1.1/PIN The TSF shall restrict the ability to **change_default, query and modify** the **OwnerPIN** to **applet itself**.

FIA_AFL.1/GP_PIN Authentication failure handling

FIA_AFL.1.1/GP_PIN The TSF shall detect when **an administrator configurable positive integer within 3 to 15** unsuccessful authentication attempts occur related to **any user authentication using a Global PIN**.

FIA_AFL.1.2/GP_PIN When the defined number of unsuccessful authentication attempts has been **met**, the TSF shall **block the Global PIN**.

7.1.5.6 Additional Security Functional Requirements for Runtime Verification
Stack Control
FDP_ACC.2/RV_Stack Complete access control

FDP_ACC.2.1/RV_Stack The TSF shall enforce the **Stack Access Control SFP** on **S.STACK** and all operations among subjects and objects covered by the SFP.

Refinement:

The operations involved in the policy are:

- o OP.OPERAND_STACK_ACCESS
- o OP.LOCAL_STACK_ACCESS

FDP_ACC.2.2/RV_Stack The TSF shall ensure that all operations between any subject controlled by the TSF and any object controlled by the TSF are covered by an access control SFP.

FDP_ACF.1/RV_Stack Security attribute based access control

FDP_ACF.1.1/RV_Stack The TSF shall enforce the **Stack Access Control** to objects based on the following:

Subject/Object	Security attributes
S.APPLLET	Active Applets, Applet Selection Status
S.STACK	Stack Pointer
S.JCVM	Current Frame Context

FDP_ACF.1.2/RV_Stack The TSF shall enforce the following rules to determine if an operation among controlled subjects and controlled objects is allowed:

- o **An Active Applet selected may freely perform OP.LOCAL_STACK_ACCESS upon stack pointer only if the index of the local variable accessed matches the Current Frame Context attribute**
- o **An Active Applet selected may freely perform OP.OPERAND_STACK_ACCESS upon Stack Pointer only if the attribute Stack Pointer matches the attribute Current Frame Context of S.JCVM.**

FDP_ACF.1.3/RV_Stack The TSF shall explicitly authorise access of subjects to objects based on the following additional rules: **none**.

FDP_ACF.1.4/RV_Stack The TSF shall explicitly deny access of subjects to objects based on the following additional rules: **none**.

Application Note:

Any bytecode accessing a local variable has an index in parameter (byte or short). The first rule aims at verifying that this index is always positive and inferior to the numbers of local variables defined for this stack frame. Then the local variable slot is accessed using the index that is relative to the base of local variables for this stack frame.

Any bytecode accessing the operand stack for push or pop operations is under the control of rule 2. The second rule aims at verifying that the stack pointer is always in the range defined by the base-of-stack and top-of-stack values defined for this stack frame.

The frame context attribute is made of the following elements:

- number-of-local variables and base-of-local-variable
- base-of-stack and top-of-stack

The policies defined in this SFR are enforced dynamically, each time an operation is performed. Nevertheless, those verifications may be redundant with the ones made statically by the off-card verifier, during the applet verification stage.

FMT_MSA.1/RV_Stack Management of security attributes

FMT_MSA.1.1/RV_Stack The TSF shall enforce the **Stack Access Control SFP** to restrict the ability to **modify** the security attributes **Current Frame Context and Stack Pointer** to **the Java Card VM (S.JCVM)**.

FMT_MSA.2/RV_Stack Secure security attributes

FMT_MSA.2.1/RV_Stack The TSF shall ensure that only secure values are accepted for **Current Frame Context and Stack Pointer**.

FMT_MSA.3/RV_Stack Static attribute initialisation

FMT_MSA.3.1/RV_Stack The TSF shall enforce the **Stack Access Control SFP** to provide **restrictive** default values for security attributes that are used to enforce the SFP.

FMT_MSA.3.2/RV_Stack The TSF shall allow the **any role** to specify alternative initial values to override the default values when an object or information is created.

FMT_SMF.1/RV_Stack Specification of Management Functions

FMT_SMF.1.1/RV_Stack The TSF shall be capable of performing the following management functions: **Modify the Current Frame Context and modify the Stack Pointer.**

Application Note:

The frame context attribute is modified on method invocation. In that case, the previous context attribute is saved on the stack. It will be restored on return of the invoked method.

Heap Access
FDP_ACC.2/RV_Heap Complete access control

FDP_ACC.2.1/RV_Heap The TSF shall enforce the **Heap Access Control SFP** on **O.CODE_PKG, O.JAVAOBJECT, S.JCVM, S.APPLET** and all operations among subjects and objects covered by the SFP.

Refinement:

The operations involved in the policy are:

- o OP.ARRAY_ACCESS
- o OP.INSTANCE_FIELD
- o OP.STATIC_FIELD
- o OP.FLOW

FDP_ACC.2.2/RV_Heap The TSF shall ensure that all operations between any subject controlled by the TSF and any object controlled by the TSF are covered by an access control SFP.

FDP_ACF.1/RV_Heap Security attribute based access control

FDP_ACF.1.1/RV_Heap The TSF shall enforce the **Heap Access Control SFP** to objects based on the following:

Subject/Object	Security attributes
O.CODE_PKG	Package Boundary
O.JAVAOBJECT	Object Boundary
S.JCVM	Program Counter
S.APPLET	Active Applets, Applet Selection Status

FDP_ACF.1.2/RV_Heap The TSF shall enforce the following rules to determine if an operation among controlled subjects and controlled objects is allowed:

- o **S.APPLET may freely perform OP.ARRAY_ACCESS and OP.INSTANCE_FIELD upon any O.JAVAOBJECT if the array cell index or the instance field index match the object boundary attribute of O.JAVAOBJECT**

- **S.APPLET may freely perform OP.STATIC_FIELD upon any O.CODE_PKG if the static field index matches the Package Boundary attribute of O.CODE_PKG.**
- **S.APPLET may freely perform OP.FLOW upon O.CODE_PKG if the Program Counter attribute of S.JCVM matches the Package Boundary attribute of O.CODE_PKG.**

FDP_ACF.1.3/RV_Heap The TSF shall explicitly authorise access of subjects to objects based on the following additional rules: **none**.

FDP_ACF.1.4/RV_Heap The TSF shall explicitly deny access of subjects to objects based on the following additional rules: **none**.

Application Note:

The upper and lower boundaries of any object allocated on the heap are registered (Object Boundary Attribute). Each time an object is accessed, the first rule verifies that the accessed NVM location is comprised between those two boundaries.

The second rule aims at verifying that when a static field is accessed, the index of this field is positive and inferior to the number of static fields of this package (part of Package Boundary attribute).

The third rule aims at verifying that when a change of execution flow occurs, the computed value for the newly computed value for the Program Counter is comprised within the boundaries defined for this package (part of Package Boundary Attribute). This rule does not concern invocation bytecode.

The policies defined in this SFR are enforced dynamically, each time an operation is performed. Nevertheless, those verifications may be redundant with the ones made statically by the off-card verifier, during the applet verification stage.

FMT_MSA.1/RV_Heap Management of security attributes

FMT_MSA.1.1/RV_Heap The TSF shall enforce the **Heap Access Control SFP** to restrict the ability to **modify** the security attributes **Package Boundary, Object Boundary and Program Counter** to **S.JCVM**.

FMT_MSA.2/RV_Heap Secure security attributes

FMT_MSA.2.1/RV_Heap The TSF shall ensure that only secure values are accepted for **Package Boundary, Object Boundary and Program Counter**.

FMT_MSA.3/RV_Heap Static attribute initialisation

FMT_MSA.3.1/RV_Heap The TSF shall enforce the **Heap Access Control SFP** to provide **restrictive** default values for security attributes that are used to enforce the SFP.

FMT_MSA.3.2/RV_Heap The TSF shall allow the **no role** to specify alternative initial values to override the default values when an object or information is created.

FMT_SMF.1/RV_Heap Specification of Management Functions

FMT_SMF.1.1/RV_Heap The TSF shall be capable of performing the following management functions: **to modify the Program Counter attribute.**

Transient Control
FDP_ACC.2/RV_Transient Complete access control

FDP_ACC.2.1/RV_Transient The TSF shall enforce the **Transient Access Control SFP** on **S.APPLET, S.JCVM and O.JAVAOBJECT** and all operations among subjects and objects covered by the SFP.

Refinement:

The operation involved in the policy is:

- o OP.ARRAY_ACCESS

FDP_ACC.2.2/RV_Transient The TSF shall ensure that all operations between any subject controlled by the TSF and any object controlled by the TSF are covered by an access control SFP.

FDP_ACF.1/RV_Transient Security attribute based access control

FDP_ACF.1.1/RV_Transient The TSF shall enforce the **Transient Access Control SFP** to objects based on the following:

Subject/Object	Security Attributes
S.APPLET	Active Applets, Applet Selection Status
S.JCVM	COR Context, COD Context
O.JAVAOBJECT	LifeTime

FDP_ACF.1.2/RV_Transient The TSF shall enforce the following rules to determine if an operation among controlled subjects and controlled objects is allowed:

- o **S.APPLET may freely perform OP.ARRAY_ACCESS on O.JAVAOBJECT whose LifeTime attribute has value "CLEAR_ON_RESET" only if the targeted volatile memory space matches the COR Context attribute of S.JCVM**

- **S.APPLLET** may freely perform **OP.ARRAY_ACCESS** on **O.JAVAOBJECT** whose **LifeTime** attribute has value "**CLEAR_ON_DESELECT**" only if the targeted volatile memory space matches the **COD Context** attribute of **S.JCVM**.

FDP_ACF.1.3/RV_Transient The TSF shall explicitly authorise access of subjects to objects based on the following additional rules: **none**.

FDP_ACF.1.4/RV_Transient The TSF shall explicitly deny access of subjects to objects based on the following additional rules: **none**.

Application Note:

Each time an applet accesses a Clear On Reset (resp. Clear On Deselect) transient, these rules verify that the accessed RAM area is in the range of the Clear On Reset transients space (resp. Clear On Deselect) allocated for all the transients created by the applets of this package.

The COR context attribute represents the lower and upper limits for the Clear On Reset transient space of the active applet package. The COD context attribute represents the lower and upper limits for the Clear On Deselect transient space of the currently selected applet package.

The policies defined in this SFR are enforced dynamically, each time an operation is performed. Nevertheless, those verifications may be redundant with the ones made statically by the off-card verifier, during the applet verification stage.

FMT_MSA.1/RV_Transient Management of security attributes

FMT_MSA.1.1/RV_Transient The TSF shall enforce the **Transient Access Control SFP** to restrict the ability to **modify** the security attributes **the security attributes COR Context and COD Context** to **Java Card VM (S.JCVM)**.

FMT_MSA.2/RV_Transient Secure security attributes

FMT_MSA.2.1/RV_Transient The TSF shall ensure that only secure values are accepted for **COR Context and COD Context Security attributes of the Transient Access Control SFP**.

FMT_MSA.3/RV_Transient Static attribute initialisation

FMT_MSA.3.1/RV_Transient The TSF shall enforce the **Transient Access Control SFP** to provide **restrictive** default values for security attributes that are used to enforce the SFP.

FMT_MSA.3.2/RV_Transient The TSF shall allow the **no role** to specify alternative initial values to override the default values when an object or information is created.

FMT_SMF.1/RV_Transient Specification of Management Functions

FMT_SMF.1.1/RV_Transient The TSF shall be capable of performing the following management functions: **modify the COR Context and COD Context Security Attributes**.

7.1.6 JBox Security Requirements**FDP_ACC.2/JBox Complete access control**

FDP_ACC.2.1/JBox The TSF shall enforce the **JBox access control SFP** on **S.TPL, O.TPL_Content, O.Platform_Content, O.JBox_Interface and O.Platform_Interface** and all operations among subjects and objects covered by the SFP.

Refinement:

The operations involved in the policy are:

- o OP.NATIVE_ACCESS
- o OP.NATIVE_INTERFACE_CALL

FDP_ACC.2.2/JBox The TSF shall ensure that all operations between any subject controlled by the TSF and any object controlled by the TSF are covered by an access control SFP.

FDP_ACF.1/JBox Security Attribute based Access Control

FDP_ACF.1.1/JBox The TSF shall enforce the **JBox access control SFP** to objects based on: **S.TPL, O.TPL_Content, O.Platform_Content, O.JBox_Interface, O.Platform_Interface** and the **MMU configuration**.

FDP_ACF.1.2/JBox The TSF shall enforce the following rules to determine if an operation among controlled subjects and controlled objects is allowed:

- **Code assigned to S.TPL shall only be executed when the active context is the TPL_Context.**
- **Code assigned to S.Platform shall only be executed when the active context is Platform_Context.**
- **S.TPL Code shall only be able to perform OP.NATIVE_ACCESS to O.TPL_Content. The NVM and the RAM which belongs to O.TPL_Content is controlled by the MMU configuration.**
- **S.TPL Code shall be able to perform OP.NATIVE_INTERFACE_CALL to O.JBox_Interface. This causes a context switch to the Platform_Context; context is switched back to TPL_Context on return from this call.**

FDP_ACF.1.3/JBox The TSF shall explicitly authorize access of subjects to objects based on the following additional rules: **none**.

FDP_ACF.1.4/JBox The TSF shall explicitly deny access of subjects to objects based on the following additional rules:

- **S.TPL Code shall not be able to perform OP.NATIVE_ACCESS to O.Platform_Content.**
- **S.TPL Code shall not be able to perform OP.NATIVE_INTERFACE_CALL to O.Platform_Interface.**
- **S.Platform Code shall not be able to perform OP.NATIVE_ACCESS to O.TPL_Content.**

FMT_MSA.1/JBox Management of Security Attributes

FMT_MSA.1.1/JBox The TSF shall enforce the **JBox access control SFP** to restrict the ability to **modify** the security attributes **MMU configuration** to **JCRE**.

FMT_MSA.3/JBox Static Attribute Initialization

FMT_MSA.3.1/JBox The TSF shall enforce the **JBox access control SFP** to provide **restrictive** default values for security attributes that are used to enforce the SFP.

FMT_MSA.3.2/JBox The TSF shall allow the **following role(s): none** to specify alternative initial values to override the default values when an object or information is created.

FMT_SMF.1/JBox Specification of Management Functions

FMT_SMF.1.1/JBox The TSF shall be capable of performing the following management functions:

- o **Switch to the TPL context:**
 - **Change the value in the MMU configuration to assign RAM to the JBox**
 - **Change the value in the MMU configuration to assign NVM to the JBox**
- o **Switch to the platform context.**
 - **Change the value in the MMU configuration to assign RAM to the platform.**
 - **Change the value in the MMU configuration to assign NVM to the platform.**

7.2 Security Assurance Requirements

The Evaluation Assurance Level is EAL5 augmented with AVA_VAN.5 and ALC_DVS.2.

7.3 Security Requirements Rationale

7.3.1 Objectives

7.3.1.1 Security Objectives for the TOE

IDENTIFICATION

O.SID Subjects' identity is AID-based (applets, packages), and is met by the following SFRs: FDP_ITC.2/Installer, FIA_ATD.1/AID, FMT_MSA.1/JCRE, FMT_MSA.1/JCVM, FMT_MSA.1/ADEL, FMT_MSA.1/CM, FMT_MSA.3/ADEL, FMT_MSA.3/FIREWALL, FMT_MSA.3/JCVM, FMT_MSA.3/CM, FMT_SMF.1/CM, FMT_SMF.1/ADEL, FMT_MTD.1/JCRE and FMT_MTD.3/JCRE.

Lastly, installation procedures ensure protection against forgery (the AID of an applet is under the control of the TSFs) or re-use of identities (FIA_UID.2/AID, FIA_USB.1/AID).

EXECUTION

O.FIREWALL This objective is met by the FIREWALL access control policy FDP_ACC.2/FIREWALL and FDP_ACF.1/FIREWALL, the JCVM information flow control policy (FDP_IFF.1/JCVM, FDP_IFC.1/JCVM), the functional requirement FDP_ITC.2/Installer.

The functional requirements of the class FMT (FMT_MTD.1/JCRE, FMT_MTD.3/JCRE, FMT_SMR.1/Installer, FMT_SMR.1, FMT_SMF.1, FMT_SMR.1/ADEL, FMT_SMF.1/ADEL, FMT_SMF.1/CM, FMT_MSA.1/CM, FMT_MSA.3/CM, FMT_SMR.1/CM, FMT_MSA.2/FIREWALL_JCVM, FMT_MSA.3/FIREWALL, FMT_MSA.3/JCVM, FMT_MSA.1/ADEL, FMT_MSA.3/ADEL, S, FMT_MSA.1/JCRE, FMT_MSA.1/JCVM,) also indirectly contribute to meet this objective.

This objective is also covered by the following additional SFRs:

- o Stack control (*RV_Stack): FDP_ACC.2/RV_Stack, FDP_ACF.1/RV_Stack, FMT_MSA.1/RV_Stack, FMT_MSA.2/RV_Stack, FMT_MSA.3/RV_Stack, FMT_SMF.1/RV_Stack
- o Heap control (*RV_Heap): FDP_ACC.2/RV_Heap, FDP_ACF.1/RV_Heap, FMT_MSA.1/RV_Heap, FMT_MSA.2/RV_Heap, FMT_MSA.3/RV_Heap, FMT_SMF.1/RV_Heap
- o Transient control (*RV_Transient): FDP_ACC.2/RV_Transient, FDP_ACF.1/RV_Transient, FMT_MSA.1/RV_Transient, FMT_MSA.2/RV_Transient, FMT_MSA.3/RV_Transient, FMT_SMF.1/RV_Transient

For each of those control, the SFR define the access control (FDP_ACC and FDP_ACF), the operation (FMT_MSA) and the role (FMT_SMF).

The Stack control enforces O.FIREWALL by defining additional rules, such as the control of the stack is more precise. Information is provided in the application note.

The Heap control enforces O.FIREWALL by defining additional rules, such as the heap usage is improved. Information is provided in the application note.

The Transient enforces O.FIREWALL by defining additional rules, such as the heap usage is improved. Information is provided in the application note.

O.GLOBAL_ARRAYS_CONFID Only arrays can be designated as global, and the only global arrays required in the Java Card API are the APDU buffer, the global byte array input parameter (bArray) to an applet's install method and the global arrays created by the JCSYSTEM.makeGlobalArray(...) method. The clearing requirement of these arrays is met by (FDP_RIP.1/APDU, FDP_RIP.1/GlobalArray, and FDP_RIP.1/bArray respectively). The JCVM information flow control policy (FDP_IFF.1/JCVM, FDP_IFC.1/JCVM) prevents an application from keeping a pointer to a shared buffer, which could be used to read its contents when the buffer is being used by another application.

O.GLOBAL_ARRAYS_INTEG This objective is met by the JCVM information flow control policy (FDP_IFF.1/JCVM, FDP_IFC.1/JCVM), which prevents an application from keeping a pointer to the APDU buffer of the card or to the global byte array of the applet's install method or to the global arrays created by the JCSYSTEM.makeGlobalArray(...) method. Such a pointer could be used to access and modify it when the buffer is being used by another application.

O.NATIVE This security objective is covered by FDP_ACF.1/FIREWALL ensuring that the only means to execute native code is the invocation of a Java Card API method. This

security objective is also covered by FDP_ACC.2/JBox and FDP_ACF.1/JBox that define the access control execution of native code into TPL using the JBox mechanism.

O.OPERATE The TOE is protected in various ways against applets' actions (FPT_TDC.1), the FIREWALL access control policy FDP_ACC.2/FIREWALL and FDP_ACF.1/FIREWALL, and is able to detect and block various failures or security violations during usual working (FPT_FLS.1/ADEL, FPT_FLS.1, FPT_FLS.1/ODEL, FPT_FLS.1/Installer, FAU_ARP.1). Its security-critical parts and procedures are also protected: safe recovery from failure is ensured (FPT_RCV.3/Installer), applets' installation may be cleanly aborted (FDP_ROL.1/FIREWALL), communication with external users and their internal subjects is well-controlled (FDP_ITC.2/Installer, FIA_ATD.1/AID, FIA_USB.1/AID) to prevent alteration of TSF data (also protected by components of the FPT class).

The FPT_RCV.4/SCP contributes to the objective O.OPERATE as it ensures that when reading or writing operations are interrupted by power loss, the operation either is completed or recovers in a consistent and secure state.

Almost every objective and/or functional requirement indirectly contributes to this one too.

Application note: Startup of the TOE (TSF-testing) can be covered by FPT_TST.1. This SFR component is not mandatory in [R7], but appears in most of security requirements documents for masked applications. Testing could also occur randomly. Self-tests may become mandatory in order to comply with FIPS 140-2 [R22].

O.REALLOCATION This security objective is satisfied by the following SFRs: FDP_RIP.1/APDU, FDP_RIP.1/GlobalArray, FDP_RIP.1/bArray, FDP_RIP.1/ABORT, FDP_RIP.1/KEYS, FDP_RIP.1/TRANSIENT, FDP_RIP.1/ODEL, FDP_RIP.1/OBJECTS, FDP_RIP.1/ADEL, which imposes that the contents of the re-allocated block shall always be cleared before delivering the block.

O.RESOURCES The SFRs detects stack/memory overflows during execution of applications (FAU_ARP.1, FPT_FLS.1/ADEL, FPT_FLS.1, FPT_FLS.1/ODEL, FPT_FLS.1/Installer). Failed installations are not to create memory leaks (FDP_ROL.1/FIREWALL, FPT_RCV.3/Installer) as well. Memory management is controlled by the SFRs (FMT_MTD.1/JCRE, FMT_MTD.3/JCRE, FMT_SMR.1/Installer, FMT_SMR.1, FMT_SMF.1 FMT_SMR.1/ADEL, FMT_SMF.1/ADEL, FMT_SMF.1/CM and FMT_SMR.1/CM).

SERVICES

O.ALARM This security objective is met by FPT_FLS.1/Installer, FPT_FLS.1, FPT_FLS.1/ADEL, FPT_FLS.1/ODEL which guarantee that a secure state is preserved by the TSF when failures occur, and FAU_ARP.1 which defines TSF reaction upon detection of a potential security violation.

O.CIPHER This security objective is directly covered by FCS_CKM.1, FCS_CKM.4, FCS_COP.1 and FCS_COP.1/PP. FPR_UNO.1 and FPR_UNO.1/USE_KEY contributes in covering this

security objective and controls the observation of the cryptographic operations which may be used to disclose the keys.

O.RNG This security objective is directly covered by FCS_RNG.1 which ensures the cryptographic quality of random number generation.

O.KEY-MNGT This relies on the same security functional requirements as O.CIPHER, plus FDP_RIP.1, FPT_TDC.1/CM and FDP_SDI.2/DATA as well. Precisely it is met by the following components: FCS_CKM.1, FCS_CKM.4, FCS_COP.1, FCS_COP.1/PP, FPR_UNO.1, FPR_UNO.1/USE_KEY, FDP_RIP.1/ODEL, FDP_RIP.1/OBJECTS, FDP_RIP.1/APDU, FDP_RIP.1/GlobalArray, FDP_RIP.1/bArray, FDP_RIP.1/ABORT, FDP_RIP.1/KEYS, FDP_RIP.1/ADEL and FDP_RIP.1/TRANSIENT.

O.PIN-MNGT This security objective is ensured by FDP_RIP.1/ODEL, FDP_RIP.1/OBJECTS, FDP_RIP.1/APDU, FDP_RIP.1/GlobalArray, FDP_RIP.1/bArray, FDP_RIP.1/ABORT, FDP_RIP.1/KEYS, FDP_RIP.1/ADEL, FDP_RIP.1/TRANSIENT, FPR_UNO.1, FDP_ROL.1/FIREWALL and FDP_SDI.2/DATA security functional requirements. The TSFs behind these are implemented by API classes. The firewall security functions FDP_ACC.2/FIREWALL and FDP_ACF.1/FIREWALL shall protect the access to private and internal data of the objects. FIA_AFL1.1/CM, FIA_AFL.1/PIN and FIA_AFL.1/GP_PIN ensure the objective regarding authentications failures. FMT_MTD.1/PIN and FMT_MTD.2/GP_PIN ensures the objective regarding the management of the TSF data.

O.TRANSACTION Directly met by FDP_ROL.1/FIREWALL, FDP_RIP.1/ABORT, FDP_RIP.1/ODEL, FDP_RIP.1/APDU, FDP_RIP.1/GlobalArray, FDP_RIP.1/bArray, FDP_RIP.1/KEYS, FDP_RIP.1/ADEL, FDP_RIP.1/TRANSIENT and FDP_RIP.1/OBJECTS (more precisely, by the element FDP_RIP.1.1/ABORT).

OBJECT DELETION

O.OBJ-DELETION This security objective specifies that deletion of objects is secure. The security objective is met by the security functional requirements FDP_RIP.1/ODEL and FPT_FLS.1/ODEL.

APPLET MANAGEMENT

O.DELETION This security objective specifies that applet and package deletion must be secure. The non-introduction of security holes is ensured by the ADEL access control policy (FDP_ACC.2/ADEL, FDP_ACF.1/ADEL). The integrity and confidentiality of data that does not belong to the deleted applet or package is a by-product of this policy as well. Non-accessibility of deleted data is met by FDP_RIP.1/ADEL and the TSFs are protected against possible failures of the deletion procedures (FPT_FLS.1/ADEL, FPT_RCV.3/Installer). The security functional requirements of the class FMT (FMT_MSA.1/ADEL, FMT_MSA.3/ADEL, FMT_SMR.1/ADEL) included in the group ADELG also contribute to meet this objective.

O.LOAD This security objective specifies that the loading of a package into the card must be secure. Evidence of the origin of the package is enforced (FCO_NRO.2/CM) and the integrity of the corresponding data is under the control of the PACKAGE LOADING information flow

policy (FDP_IFC.2/CM, FDP_IFF.1/CM) and FDP_UIT.1/CM. Appropriate identification (FIA_UID.1/CM) and transmission mechanisms are also enforced (FTP_ITC.1/CM).

O.INSTALL This security objective specifies that installation of applets must be secure. Security attributes of installed data are under the control of the FIREWALL access control policy (FDP_ITC.2/Installer), and the TSFs are protected against possible failures of the installer (FPT_FLS.1/Installer, FPT_RCV.3/Installer).

Additional security objectives for the TOE

O.SCP.SUPPORT The components FPT_RCV.4/SCP (SCP stands for smart card platform) are used to support the objective O.SCP.SUPPORT to assist the TOE to recover in the event of a power failure. If the power fails or the card is withdrawn prematurely from the CAD the operation of the TOE may be interrupted leaving the TOE in an inconsistent state.

All the Crypto SFRS support this objective as they provide secure low-level cryptographic processing to the Java Card System and Global Platform:

- o FCS_CKM.1, FCS_CKM.4, FCS_COP.1,
- o FCS_COP.1/CM,
- o FCS_CKM.1/PP, FCS_COP.1/PP, FCS_CKM.4/PP

All the FSRs related to the Firewall contribute to the realization of the objective.

The FDP_ROL.1 Firewall ensures the rollback of some operations within the specified scope as defined in the ROL.1.2/Firewall.

Application Note: all SFRs related to O.OPERATE and O.ALARM support the O.SCP.SUPPORT

O.SCP.IC This objective is met by the component FPT_PHP.3/SCP and FCS_RNG.1.

O.SCP.RECOVERY The component FPT_RCV.4/SCP is used to support the objective O.SCP.RECOVERY to assist the TOE to recover in the event of a power failure. If the power fails or the card is withdrawn prematurely from the CAD the operation of the TOE may be interrupted leaving the TOE in an inconsistent state. This objective is met by the components FPT_FLS.1, FAU_ARP.1 and FRU_FLT.1/SCP.

O.RESIDENT_APPLICATION This objective is covered by the following set of SFR:

- o Access control: FDP_ACC.2/PP, FDP_ACF.1/PP, FDP_UCT.1/PP and FDP_ITC.1/PP
- o Rules for authentication: FIA_AFL.1/PP, FIA_UAU.1/PP
- o Security Management: FMT_MSA.1/PP, FMT_SMF.1/PP, FMT_MOF.1/PP, FMT_SMR.2/PP, FMT_MSA.3/PP and FMT_SMR.2/CM
- o Once the ISK is loaded, the RA ensures MSK and LSK are no more available thanks to Cryptographic Key Destruction: FCS_CKM.4/PP.

This objective is also covered by Card Manufacturer authentication: Rules for authentication: FIA_UAU.7/CardIssuer, FIA_UAU.4/CardIssuer, FIA_UAU.4/CardManu, FIA_UAU.7/CardManu.

O.CARD_MANAGEMENT This objective is fulfilled by the following set of SFR:

The FDP_ACC.2/ADEL and FDP_ACF.1/ADEL contribute to meet the ADEL access control policy that ensures the non-introduction of security holes.

The FDP_RIP.1/ADEL ensure that the deleted information is not accessible.

The FMT_MSA.1/ADEL ensures restrict the ability to modify the secure attributes the FMT_MSA.3/ADEL ensures the assignment of restrictive values.

The FMT_SMR.1/ADEL maintains the role of the applet deletion manager.

The FPT_FLS.1/ADEL contributes to the objective by protecting the TSFs against possible failures of the deletion procedure.

The 2 SFRs FPT_RCV.3/Installer and FPT_FLS.1/Installer contributes to meet the objective by protecting the TSFs from failures of the deletion procedure.

The SFR FDP_UIT.1/CM contributes by enforcing the Secure Channel Protocol Information flow control policy and the Security Domain access control policy which control the integrity of the corresponding data.

The SFR FIA_UID.1/CM testes if the Secure Channel is open to allow card management operations.

The SFR FDP_IFF.1/CM ensures the access control policy for the loaded data (as packages).

The FCO_NRO.2/CM this SFR ensures the origin of the load file. It verifies the identity of the origin of the load file before start the loading.

FCO_NRO.2/CM_DAP this SFR generates an evidence of the origin of the transmitted load file during CAP File loading.

The FDP_IFC.2/CM, this SFR ensures that loading commands are issued in the Secure Channel session.

The SFR FDP_ROL.1/FIREWALLensures that the card management operations are cleaned aborted.

The SFR FDP_ITC.2/Installer enforces the Firewall access control policy and flow control policy when importing card management data.

The SFR FPT_FLS.1/ODEL ensures the preservation of secure state when failures occur.

The SFR FMT_MSA.1/CM ensures the management of the security attributes to the card manager, for the modification of the life cycle of the card, the keyset version and value,...

The SFR FMT_MSA.3/CM, this SFR ensures that the security attributes can only be changed by the card manager.

The SFR FMT_SMF.1/CM, Only the card manger is able to modify the security attributes of the management functions. The security role is specified in the FMT_SMR.1/CM and FMT_SMR.2/CM.

The SFR FTP_ITC.1/CM ensures the trusted Channel Communications.

FIA_AFL.1/CM, FIA_UAU.1/CM, FIA_UAU.4/CardIssuer and FIA_UAU.7/CardIssuer, ensure the authentication of the card issuer before gaining access to management operations.

The FPR_UNO.1/Key_CM ensures the un-observability of the CM key when imported.

The FPT_TST.1This TSF contributes to ensure the correct operation of the card management functions as it tests the integrity of the TSF functions during initial start-up.

The SFRs FMT_SMF.1/PP and FMT_SMR.2/PP ensure authroized usage during pre-personalization.

The SFRs FIA_UAU.4/CardManu and FIA_UAU.7/CardManu help secure the authentication of the card manufacturer.

The SFR FPT_TDC.1/CM ensures that key sets and packages loaded are well under key management.

O.SECURE_COMPARE This objective is fulfilled by FDP_SDI.2/DATA. It ensures that comparison is confidential.

O.PATCH_LOADING Authentication of the entity loading the patch by the TOE

FDP_ACC.2/PP, FDP_ACF.1/PP, FIA_UAU.1/PP and FIA_UID.1/PP provide access control for patch loading. The subject entitled to load the patch is authenticated by the TOE thanks to FCS_COP.1/PP. Wrong authentication of the Card manufacturer agent are detected thanks to FIA_AFL.1/PP

Authentication of the TOE

To avoid impersonation of the TOE by a fake chip, the TOE authenticates itself; from phase 6 with FTP_ITC.1/CM and FCS_COP.1/CM thanks to the TOE authentication key (ISK/KMC). From phase 6, the TOE authentication is required prior to any trusted channel establishment with FTP_ITC.1/CM (data sent by the TOE must be decrypted to carry on the authentication).

The TOE authentication key (ISK/KMC) is securely loaded in phase 4/5 protected in confidentiality with FDP_UCT.1/PP and integrity with FDP_UIT.1/PP through the trusted channel established by the Card Manufacturer with FDP_ITC.1/PP. The trusted channel and the TOE authentication key (ISK/KMC) encryption is supported by FCS_COP.1/PP that relies on the TOE's MSK which is the first key present in the TOE.

Diversification of keys

The TOE's MSK used to authenticate the Card manufacturer is derived from the MSK thanks to FCS_CKM.1/PP before the first use. The MSK is loaded in the TOE in phase 1 (covered by [ALC]).

Integrity, confidentiality and authenticity of the patch during loading

Patch loading is performed in a confidential manner with FDP_UCT.1/PP and protected in integrity and confidentiality with FDP_UIT.1/PP. Confidentiality, integrity and authenticity of the patch loading is supported by cryptographic mechanisms supported by FCS_COP.1/PP.

Patch data to be written in the TOE have been prior encrypted by the TOE developer using dedicated key. Once these data loaded, the integrity (SHA256) of the modified code is update and compared to the provided one in the patch package.

Erasure of the key used

FCS_CKM.4/PP ensures the secure destruction of the keys involved in the patch loading mechanism (LSK, MSK and JSK).

Identification of the patch after loading

Once loaded and during the rest of the TOE life cycle, the identification and authentication (unique identifier of the patch) of the patch, being a part of the TOE is provided by FAU_STG.2. When requested, the identification and authentication data (of entire code, including patch) are dynamically retrieved from the patch code stored in the non-volatile memory of the TOE.

Integrity check before usage of the patch

At start up, the integrity of the entire code, patch included, is checked by the TOE through self-tests provided by FPT_TST.1. In case the computed signature differs from the one stored in NVM, an integrity error is detected and a killcard is raised.

O.JBox_FW The access control mechanisms described by O.JBox_FW are addressed by the SFP defined by the security functional requirements FDP_ACC.2/JBox, FDP_ACF.1/JBox, FMT_MSA.1/JBox; FMT_MSA.3/JBox and FMT_SMF.1/JBox.

7.3.2 Rationale tables of Security Objectives and SFRs

Security Objectives	Security Functional Requirements	Rationale
O.SID	FIA_ATD.1/AID , FIA_UID.2/AID , FMT_MSA.1/JCRE , FMT_MSA.1/ADEL , FMT_MSA.3/ADEL , FMT_MSA.3/FIREWALL , FMT_MSA.1/CM , FMT_MSA.3/CM , FDP_ITC.2/Installer , FMT_SMF.1/CM , FMT_SMF.1/ADEL , FMT_MTD.1/JCRE , FMT_MTD.3/JCRE , FIA_USB.1/AID , FMT_MSA.1/JCVM , FMT_MSA.3/JCVM	Section 7.3.1
O.FIREWALL	FDP_IFC.1/JCVM , FDP_IFF.1/JCVM , FMT_SMR.1/Installer , FMT_MSA.1/CM , FMT_MSA.3/CM , FMT_SMR.1/CM , FMT_MSA.3/FIREWALL , FMT_SMR.1 , FMT_MSA.1/ADEL , FMT_MSA.3/ADEL , FMT_SMR.1/ADEL , FMT_MSA.1/JCRE , FDP_ITC.2/Installer , FDP_ACC.2/FIREWALL , FDP_ACF.1/FIREWALL , FMT_SMF.1/ADEL , FMT_SMF.1/CM , FMT_SMF.1 , FMT_MSA.2/FIREWALL_JCVM , FMT_MTD.1/JCRE , FMT_MTD.3/JCRE , FMT_MSA.1/JCVM , FMT_MSA.3/JCVM , FDP_ACC.2/RV Stack , FDP_ACF.1/RV Stack , FMT_MSA.1/RV Stack , FMT_MSA.2/RV Stack , FMT_MSA.3/RV Stack , FMT_SMF.1/RV Stack , FDP_ACC.2/RV Heap , FDP_ACF.1/RV Heap , FMT_MSA.1/RV Heap , FMT_MSA.2/RV Heap , FMT_MSA.3/RV Heap , FMT_SMF.1/RV Heap , FDP_ACC.2/RV Transient , FDP_ACF.1/RV Transient , FMT_MSA.1/RV Transient , FMT_MSA.2/RV Transient , FMT_MSA.3/RV Transient , FMT_SMF.1/RV Transient	Section 7.3.1
O.GLOBAL_ARRAYS_CONFID	FDP_IFC.1/JCVM , FDP_IFF.1/JCVM , FDP_RIP.1/bArray , FDP_RIP.1/APDU , FDP_RIP.1/GlobalArray	Section 7.3.1
O.GLOBAL_ARRAYS_INTEG	FDP_IFC.1/JCVM , FDP_IFF.1/JCVM	Section 7.3.1

Security Objectives	Security Functional Requirements	Rationale
O.NATIVE	FDP_ACF.1/FIREWALL , FDP_ACC.2/JBox , FDP_ACF.1/JBox	Section 7.3.1
O.OPERATE	FPT_RCV.4/SCP , FAU_ARP.1 , FDP_ROL.1/FIREWALL , FIA_ATD.1/AID , FPT_FLS.1/ADEL , FPT_FLS.1 , FPT_FLS.1/ODEL , FPT_FLS.1/Installer , FDP_ITC.2/Installer , FPT_RCV.3/Installer , FDP_ACC.2/FIREWALL , FDP_ACF.1/FIREWALL , FPT_TDC.1 , FIA_USB.1/AID , FPT_TST.1	Section 7.3.1
O.REALLOCATION	FDP_RIP.1/ABORT , FDP_RIP.1/APDU , FDP_RIP.1/GlobalArray , FDP_RIP.1/bArray , FDP_RIP.1/KEYS , FDP_RIP.1/TRANSIENT , FDP_RIP.1/OBJECTS , FDP_RIP.1/ADEL , FDP_RIP.1/ODEL	Section 7.3.1
O.RESOURCES	FAU_ARP.1 , FDP_ROL.1/FIREWALL , FMT_SMR.1/Installer , FMT_SMR.1 , FMT_SMR.1/ADEL , FPT_FLS.1/Installer , FPT_FLS.1/ODEL , FPT_FLS.1 , FPT_FLS.1/ADEL , FPT_RCV.3/Installer , FMT_SMR.1/CM , FMT_SMF.1/ADEL , FMT_SMF.1/CM , FMT_SMF.1 , FMT_MTD.1/JCRE , FMT_MTD.3/JCRE	Section 7.3.1
O.ALARM	FPT_FLS.1/Installer , FPT_FLS.1 , FPT_FLS.1/ADEL , FPT_FLS.1/ODEL , FAU_ARP.1	Section 7.3.1
O.CIPHER	FCS_CKM.1 , FCS_CKM.4 , FCS_COP.1 , FPR_UNO.1 , FPR_UNO.1/USE KEY , FCS_COP.1/PP	Section 7.3.1
O.RNG	FCS_RNG.1	Section 7.3.1
O.KEY-MNGT	FCS_CKM.1 , FCS_CKM.4 , FCS_COP.1 , FPR_UNO.1 , FDP_RIP.1/ODEL , FDP_RIP.1/OBJECTS , FDP_RIP.1/APDU , FDP_RIP.1/GlobalArray , FDP_RIP.1/bArray , FDP_RIP.1/ABORT , FDP_RIP.1/KEYS , FDP_RIP.1/TRANSIENT , FDP_RIP.1/ADEL , FDP_SDI.2/DATA , FCS_COP.1/PP , FPR_UNO.1/USE KEY , FPT_TDC.1/CM	Section 7.3.1
O.PIN-MNGT	FDP_RIP.1/ODEL , FDP_RIP.1/OBJECTS , FDP_RIP.1/APDU , FDP_RIP.1/GlobalArray , FDP_RIP.1/bArray , FDP_RIP.1/KEYS , FDP_RIP.1/ABORT , FDP_RIP.1/TRANSIENT , FPR_UNO.1 , FDP_RIP.1/ADEL , FDP_ROL.1/FIREWALL , FDP_SDI.2/DATA , FDP_ACC.2/FIREWALL ,	Section 7.3.1

Security Objectives	Security Functional Requirements	Rationale
	FDP_ACF.1/FIREWALL , FIA_AFL.1/PIN , FMT_MTD.1/PIN , FIA_AFL.1/GP_PIN , FMT_MTD.2/GP_PIN	
O.TRANSACTION	FDP_ROL.1/FIREWALL , FDP_RIP.1/ABORT , FDP_RIP.1/APDU , FDP_RIP.1/GlobalArray , FDP_RIP.1/bArray , FDP_RIP.1/KEYS , FDP_RIP.1/ADEL , FDP_RIP.1/OBJECTS , FDP_RIP.1/TRANSIENT , FDP_RIP.1/ODEL	Section 7.3.1
O.OBJ-DELETION	FDP_RIP.1/ODEL , FPT_FLS.1/ODEL	Section 7.3.1
O.DELETION	FDP_ACC.2/ADEL , FDP_ACF.1/ADEL , FDP_RIP.1/ADEL , FMT_MSA.1/ADEL , FMT_MSA.3/ADEL , FPT_FLS.1/ADEL , FMT_SMR.1/ADEL , FPT_RCV.3/Installer	Section 7.3.1
O.LOAD	FCO_NRO.2/CM , FDP_IFC.2/CM , FDP_IFT.1/CM , FDP_UIT.1/CM , FIA_UID.1/CM , FPT_ITC.1/CM	Section 7.3.1
O.INSTALL	FDP_ITC.2/Installer , FPT_FLS.1/Installer , FPT_RCV.3/Installer	Section 7.3.1
O.SCP.SUPPORT	FPT_RCV.4/SCP , FCS_CKM.1 , FCS_CKM.4 , FCS_COP.1 , FCS_COP.1/CM , FCS_CKM.4/PP , FCS_COP.1/PP , FCS_CKM.1/PP	Section 7.3.1
O.SCP.IC	FPT_PHP.3/SCP , FCS_RNG.1	Section 7.3.1
O.SCP.RECOVERY	FRU_FLT.1/SCP , FPT_RCV.4/SCP , FAU_ARP.1 , FPT_FLS.1	Section 7.3.1
O.RESIDENT_APPLICATION	FDP_ACC.2/PP , FDP_ACF.1/PP , FDP_UCT.1/PP , FDP_ITC.1/PP , FIA_AFL.1/PP , FIA_UAU.1/PP , FMT_MSA.1/PP , FMT_SMF.1/PP , FMT_MOF.1/PP , FMT_SMR.2/PP , FMT_MSA.3/PP , FCS_CKM.4/PP , FMT_SMR.2/CM , FIA_UAU.4/CardManu , FIA_UAU.7/CardManu , FIA_UAU.4/CardIssuer , FIA_UAU.7/CardIssuer	Section 7.3.1
O.CARD_MANAGEMENT	FDP_ACC.2/ADEL , FDP_ACF.1/ADEL , FDP_RIP.1/ADEL , FMT_MSA.1/ADEL , FMT_MSA.3/ADEL , FMT_SMR.1/ADEL , FPT_FLS.1/ADEL , FDP_ITC.2/Installer , FPT_FLS.1/Installer , FPT_RCV.3/Installer , FDP_UIT.1/CM , FDP_ROL.1/FIREWALL , FPT_FLS.1/ODEL , FIA_AFL.1/CM , FPT_TST.1 , FIA_UID.1/CM , FDP_IFT.1/CM , FMT_MSA.1/CM , FMT_MSA.3/CM , FMT_SMR.2/PP , FMT_SMF.1/PP ,	Section 7.3.1

Security Objectives	Security Functional Requirements	Rationale
	FTP_ITC.1/CM , FMT_SMR.2/CM , FDP_IFC.2/CM , FCO_NRO.2/CM_DAP , FIA_UAU.7/CardIssuer , FPR_UNO.1/Key_CM , FIA_UAU.4/CardIssuer , FIA_UAU.4/CardManu , FIA_UAU.7/CardManu , FMT_SMF.1/CM , FMT_SMR.1/CM , FIA_UAU.1/CM , FCO_NRO.2/CM , FPT_TDC.1/CM	
O.SECURE_COMPARE	FDP_SDI.2/DATA	Section 7.3.1
O.PATCH_LOADING	FDP_ACC.2/PP , FDP_ACF.1/PP , FIA_UAU.1/PP , FIA_UID.1/PP , FCS_COP.1/PP , FTP_ITC.1/CM , FCS_COP.1/CM , FDP_UIT.1/PP , FDP_ITC.1/PP , FCS_CKM.1/PP , FDP_UCT.1/PP , FCS_CKM.4/PP , FAU_STG.2 , FIA_AFL.1/PP , FPT_TST.1	Section 7.3.1
O.JBox_FW	FDP_ACC.2/JBox , FDP_ACF.1/JBox , FMT_MSA.1/JBox , FMT_MSA.3/JBox , FMT_SMF.1/JBox	Section 7.3.1

Table 11 Security Objectives and SFRs - Coverage

Security Functional Requirements	Security Objectives
FDP_ACC.2/FIREWALL	O.FIREWALL , O.OPERATE , O.PIN-MNGT
FDP_ACF.1/FIREWALL	O.FIREWALL , O.NATIVE , O.OPERATE , O.PIN-MNGT
FDP_IFC.1/JCVM	O.FIREWALL , O.GLOBAL_ARRAYS_CONFID , O.GLOBAL_ARRAYS_INTEG
FDP_IFF.1/JCVM	O.FIREWALL , O.GLOBAL_ARRAYS_CONFID , O.GLOBAL_ARRAYS_INTEG
FDP_RIP.1/OBJECTS	O.REALLOCATION , O.KEY-MNGT , O.PIN-MNGT , O.TRANSACTION
FMT_MSA.1/JCRE	O.SID , O.FIREWALL
FMT_MSA.1/JCVM	O.SID , O.FIREWALL
FMT_MSA.2/FIREWALL_JCVM	O.FIREWALL
FMT_MSA.3/FIREWALL	O.SID , O.FIREWALL
FMT_MSA.3/JCVM	O.SID , O.FIREWALL
FMT_SMF.1	O.FIREWALL , O.RESOURCES
FMT_SMR.1	O.FIREWALL , O.RESOURCES
FCS_CKM.1	O.CIPHER , O.KEY-MNGT , O.SCP.SUPPORT
FCS_CKM.4	O.CIPHER , O.KEY-MNGT , O.SCP.SUPPORT

Security Functional Requirements	Security Objectives
FCS_COP.1	O.CIPHER , O.KEY-MNGT , O.SCP.SUPPORT
FCS_RNG.1	O.RNG , O.SCP.IC
FDP_RIP.1/ABORT	O.REALLOCATION , O.KEY-MNGT , O.PIN-MNGT , O.TRANSACTION
FDP_RIP.1/APDU	O.GLOBAL_ARRAYS_CONFID , O.REALLOCATION , O.KEY-MNGT , O.PIN-MNGT , O.TRANSACTION
FDP_RIP.1/bArray	O.GLOBAL_ARRAYS_CONFID , O.REALLOCATION , O.KEY-MNGT , O.PIN-MNGT , O.TRANSACTION
FDP_RIP.1/GlobalArray	O.GLOBAL_ARRAYS_CONFID , O.REALLOCATION , O.KEY-MNGT , O.PIN-MNGT , O.TRANSACTION
FDP_RIP.1/KEYS	O.REALLOCATION , O.KEY-MNGT , O.PIN-MNGT , O.TRANSACTION
FDP_RIP.1/TRANSIENT	O.REALLOCATION , O.KEY-MNGT , O.PIN-MNGT , O.TRANSACTION
FDP_ROL.1/FIREWALL	O.OPERATE , O.RESOURCES , O.PIN-MNGT , O.TRANSACTION , O.CARD_MANAGEMENT
FAU_ARP.1	O.OPERATE , O.RESOURCES , O.ALARM , O.SCP.RECOVERY
FDP_SDI.2/DATA	O.KEY-MNGT , O.PIN-MNGT
FPR_UNO.1	O.CIPHER , O.KEY-MNGT , O.PIN-MNGT
FPT_FLS.1	O.OPERATE , O.RESOURCES , O.ALARM , O.SCP.RECOVERY
FPT_TDC.1	O.OPERATE
FIA_ATD.1/AID	O.SID , O.OPERATE
FIA_UID.2/AID	O.SID
FIA_USB.1/AID	O.SID , O.OPERATE
FMT_MTD.1/JCRE	O.SID , O.FIREWALL , O.RESOURCES
FMT_MTD.3/JCRE	O.SID , O.FIREWALL , O.RESOURCES
FDP_ITC.2/Installer	O.SID , O.FIREWALL , O.OPERATE , O.INSTALL , O.CARD_MANAGEMENT
FMT_SMR.1/Installer	O.FIREWALL , O.RESOURCES
FPT_FLS.1/Installer	O.OPERATE , O.RESOURCES , O.ALARM , O.INSTALL , O.CARD_MANAGEMENT
FPT_RCV.3/Installer	O.OPERATE , O.RESOURCES , O.DELETION , O.INSTALL , O.CARD_MANAGEMENT
FDP_ACC.2/ADEL	O.DELETION , O.CARD_MANAGEMENT

Security Functional Requirements	Security Objectives
FDP_ACF.1/ADEL	O.DELETION , O.CARD MANAGEMENT
FDP_RIP.1/ADEL	O.REALLOCATION , O.KEY-MNGT , O.PIN-MNGT , O.TRANSACTION , O.DELETION , O.CARD MANAGEMENT
FMT_MSA.1/ADEL	O.SID , O.FIREWALL , O.DELETION , O.CARD MANAGEMENT
FMT_MSA.3/ADEL	O.SID , O.FIREWALL , O.DELETION , O.CARD MANAGEMENT
FMT_SMF.1/ADEL	O.SID , O.FIREWALL , O.RESOURCES
FMT_SMR.1/ADEL	O.FIREWALL , O.RESOURCES , O.DELETION , O.CARD MANAGEMENT
FPT_FLS.1/ADEL	O.OPERATE , O.RESOURCES , O.ALARM , O.DELETION , O.CARD MANAGEMENT
FDP_RIP.1/ODEL	O.REALLOCATION , O.KEY-MNGT , O.PIN-MNGT , O.TRANSACTION , O.OBJ-DELETION
FPT_FLS.1/ODEL	O.OPERATE , O.RESOURCES , O.ALARM , O.OBJ-DELETION , O.CARD MANAGEMENT
FCO_NRO.2/CM	O.LOAD , O.CARD MANAGEMENT
FDP_IFC.2/CM	O.LOAD , O.CARD MANAGEMENT
FDP_IFF.1/CM	O.LOAD , O.CARD MANAGEMENT
FDP UIT.1/CM	O.LOAD , O.CARD MANAGEMENT
FIA_UID.1/CM	O.LOAD , O.CARD MANAGEMENT
FMT_MSA.1/CM	O.SID , O.FIREWALL , O.CARD MANAGEMENT
FMT_MSA.3/CM	O.SID , O.FIREWALL , O.CARD MANAGEMENT
FMT_SMF.1/CM	O.SID , O.FIREWALL , O.RESOURCES , O.CARD MANAGEMENT
FMT_SMR.1/CM	O.FIREWALL , O.RESOURCES , O.CARD MANAGEMENT
FTP_ITC.1/CM	O.LOAD , O.CARD MANAGEMENT , O.PATCH LOADING
FPT_TST.1	O.OPERATE , O.CARD MANAGEMENT , O.PATCH LOADING
FCO_NRO.2/CM_DAP	O.CARD MANAGEMENT
FIA_AFL.1/CM	O.CARD MANAGEMENT
FIA_UAU.1/CM	O.CARD MANAGEMENT
FIA_UAU.4/CardIssuer	O.RESIDENT APPLICATION , O.CARD MANAGEMENT
FIA_UAU.7/CardIssuer	O.RESIDENT APPLICATION , O.CARD MANAGEMENT

Security Functional Requirements	Security Objectives
FPR_UNO.1/Key_CM	O.CARD MANAGEMENT
FPT_TDC.1/CM	O.CARD MANAGEMENT, O.KEY-MNGT
FMT_SMR.2/CM	O.RESIDENT APPLICATION, O.CARD MANAGEMENT
FCS_COP.1/CM	O.SCP.SUPPORT, O.PATCH LOADING
FDP_ACC.2/PP	O.RESIDENT APPLICATION, O.PATCH LOADING
FDP_ACF.1/PP	O.RESIDENT APPLICATION, O.PATCH LOADING
FDP_UCT.1/PP	O.RESIDENT APPLICATION, O.PATCH LOADING
FDP_ITC.1/PP	O.RESIDENT APPLICATION, O.PATCH LOADING
FIA_AFL.1/PP	O.RESIDENT APPLICATION, O.PATCH LOADING
FIA_UAU.1/PP	O.RESIDENT APPLICATION, O.PATCH LOADING
FIA_UID.1/PP	O.PATCH LOADING
FMT_MSA.1/PP	O.RESIDENT APPLICATION
FMT_SMF.1/PP	O.RESIDENT APPLICATION, O.CARD MANAGEMENT
FIA_UAU.4/CardManu	O.RESIDENT APPLICATION, O.CARD MANAGEMENT
FIA_UAU.7/CardManu	O.RESIDENT APPLICATION, O.CARD MANAGEMENT
FMT_MOF.1/PP	O.RESIDENT APPLICATION
FMT_SMR.2/PP	O.RESIDENT APPLICATION, O.CARD MANAGEMENT
FMT_MSA.3/PP	O.RESIDENT APPLICATION
FCS_COP.1/PP	O.CIPHER, O.KEY-MNGT, O.SCP.SUPPORT, O.PATCH LOADING
FCS_CKM.4/PP	O.SCP.SUPPORT, O.RESIDENT APPLICATION, O.PATCH LOADING
FDP_UIT.1/PP	O.PATCH LOADING
FCS_CKM.1/PP	O.SCP.SUPPORT, O.PATCH LOADING
FAU_STG.2	O.PATCH LOADING
FPT_PHP.3/SCP	O.SCP.IC
FPT_RCV.4/SCP	O.OPERATE, O.SCP.SUPPORT, O.SCP.RECOVERY
FRU_FLT.1/SCP	O.SCP.RECOVERY
FPR_UNO.1/USE_KEY	O.CIPHER, O.KEY-MNGT
FIA_AFL.1/PIN	O.PIN-MNGT
FMT_MTD.2/GP_PIN	O.PIN-MNGT
FMT_MTD.1/PIN	O.PIN-MNGT
FIA_AFL.1/GP_PIN	O.PIN-MNGT

Security Functional Requirements	Security Objectives
FDP_ACC.2/RV_Stack	O.FIREWALL
FDP_ACF.1/RV_Stack	O.FIREWALL
FMT_MSA.1/RV_Stack	O.FIREWALL
FMT_MSA.2/RV_Stack	O.FIREWALL
FMT_MSA.3/RV_Stack	O.FIREWALL
FMT_SMF.1/RV_Stack	O.FIREWALL
FDP_ACC.2/RV_Heap	O.FIREWALL
FDP_ACF.1/RV_Heap	O.FIREWALL
FMT_MSA.1/RV_Heap	O.FIREWALL
FMT_MSA.2/RV_Heap	O.FIREWALL
FMT_MSA.3/RV_Heap	O.FIREWALL
FMT_SMF.1/RV_Heap	O.FIREWALL
FDP_ACC.2/RV_Transient	O.FIREWALL
FDP_ACF.1/RV_Transient	O.FIREWALL
FMT_MSA.1/RV_Transient	O.FIREWALL
FMT_MSA.2/RV_Transient	O.FIREWALL
FMT_MSA.3/RV_Transient	O.FIREWALL
FMT_SMF.1/RV_Transient	O.FIREWALL
FDP_ACC.2/JBox	O.JBox_FW, O.NATIVE
FDP_ACF.1/JBox	O.JBox_FW, O.NATIVE
FMT_MSA.1/JBox	O.JBox_FW
FMT_MSA.3/JBox	O.JBox_FW
FMT_SMF.1/JBox	O.JBox_FW

Table 12 SFRs and Security Objectives

7.3.3 Rationale table with objectives defined in ANSSI-CC-Note 06

TOE Security Objectives	Note 06 Security Objectives	Comment
O.SID	O.TOE_Identification	TOE is identified with its package and patch
O.LOAD	O.Secure_Load_ACode	Ensures secure Package loading
O.INSTALL	O.Secure_AC_Activation	Ensures secure activation or none installation in case of exception.

O.PATCH_LOADING	O.Secure_Load_ACode and O.TOE_Identification	O.PATCH_LOADING ensures trustable identification and authentication (static signature) data of the loaded patch. The data to be loaded are encrypted and the patch integrity is checked.
---------------------------------	----------------------------------------------	------------------------------------------------------------------------------------------------------------------------------------------------------------------------------------------

Table 13 Security Objectives Vs Note 06 Objectives

7.3.4 Dependencies

7.3.4.1 SFRs Dependencies

Requirements	CC Dependencies	Satisfied Dependencies
FDP_ITC.2/Installer	(FDP_ACC.1 or FDP_IFC.1) and (FPT_TDC.1) and (FTP_ITC.1 or FTP_TRP.1)	FPT_TDC.1 , FDP_IFC.2/CM , FTP_ITC.1/CM
FMT_SMR.1/Installer	(FIA_UID.1)	
FPT_FLS.1/Installer	No Dependencies	
FPT_RCV.3/Installer	(AGD_OPE.1)	AGD_OPE.1
FDP_ACC.2/ADEL	(FDP_ACF.1)	FDP_ACF.1/ADEL
FDP_ACF.1/ADEL	(FDP_ACC.1) and (FMT_MSA.3)	FDP_ACC.2/ADEL , FMT_MSA.3/ADEL
FDP_RIP.1/ADEL	No Dependencies	
FMT_MSA.1/ADEL	(FDP_ACC.1 or FDP_IFC.1) and (FMT_SMF.1) and (FMT_SMR.1)	FDP_ACC.2/ADEL , FMT_SMF.1/ADEL , FMT_SMR.1/ADEL
FMT_MSA.3/ADEL	(FMT_MSA.1) and (FMT_SMR.1)	FMT_MSA.1/ADEL , FMT_SMR.1/ADEL
FMT_SMF.1/ADEL	No Dependencies	
FMT_SMR.1/ADEL	(FIA_UID.1)	
FPT_FLS.1/ADEL	No Dependencies	
FDP_RIP.1/ODEL	No Dependencies	
FPT_FLS.1/ODEL	No Dependencies	
FDP_ACC.2/FIREWALL	(FDP_ACF.1)	FDP_ACF.1/FIREWALL
FDP_ACF.1/FIREWALL	(FDP_ACC.1) and (FMT_MSA.3)	FDP_ACC.2/FIREWALL , FMT_MSA.3/FIREWALL
FDP_IFC.1/JCVM	(FDP_IFF.1)	FDP_IFF.1/JCVM
FDP_IFF.1/JCVM	(FDP_IFC.1) and (FMT_MSA.3)	FDP_IFC.1/JCVM , FMT_MSA.3/JCVM
FDP_RIP.1/OBJECTS	No Dependencies	
FMT_MSA.1/JCRE	(FDP_ACC.1 or FDP_IFC.1) and (FMT_SMF.1) and (FMT_SMR.1)	FDP_ACC.2/FIREWALL , FMT_SMR.1
FMT_MSA.1/JCVM	(FDP_ACC.1 or FDP_IFC.1) and (FMT_SMF.1) and (FMT_SMR.1)	FDP_ACC.2/FIREWALL , FDP_IFC.1/JCVM , FMT_SMF.1 , FMT_SMR.1

Requirements	CC Dependencies	Satisfied Dependencies
FMT_MSA.2/FIREWALL_JCVM	(FDP_ACC.1 or FDP_IFC.1) and (FMT_MSA.1) and (FMT_SMR.1)	FDP_ACC.2/FIREWALL , FDP_IFC.1/JCVM , FMT_MSA.1/JCRE , FMT_MSA.1/JCVM , FMT_SMR.1
FMT_MSA.3/FIREWALL	(FMT_MSA.1) and (FMT_SMR.1)	FMT_MSA.1/JCRE , FMT_MSA.1/JCVM , FMT_SMR.1
FMT_MSA.3/JCVM	(FMT_MSA.1) and (FMT_SMR.1)	FMT_MSA.1/JCVM , FMT_SMR.1
FMT_SMF.1	No Dependencies	
FMT_SMR.1	(FIA_UID.1)	FIA_UID.2/AID
FCS_CKM.1	(FCS_COP.1) and (FCS_CKM.4)	FCS_CKM.4 , FCS_COP.1
FCS_CKM.4	(FCS_CKM.1 or FDP_ITC.1 or FDP_ITC.2)	FCS_CKM.1
FCS_COP.1	(FCS_CKM.1 or FDP_ITC.1 or FDP_ITC.2) and (FCS_CKM.4)	FCS_CKM.1 , FCS_CKM.4
FCS_RNG.1	No Dependencies	
FDP_RIP.1/ABORT	No Dependencies	
FDP_RIP.1/APDU	No Dependencies	
FDP_RIP.1/bArray	No Dependencies	
FDP_RIP.1/GlobalArray	No Dependencies	
FDP_RIP.1/KEYS	No Dependencies	
FDP_RIP.1/TRANSIENT	No Dependencies	
FDP_ROL.1/FIREWALL	(FDP_ACC.1 or FDP_IFC.1)	FDP_ACC.2/FIREWALL , FDP_IFC.1/JCVM
FAU_ARP.1	(FAU_SAA.1)	
FDP_SDI.2/DATA	No Dependencies	
FPR_UNO.1	No Dependencies	
FPT_FLS.1	No Dependencies	
FPT_TDC.1	No Dependencies	
FIA_ATD.1/AID	No Dependencies	
FIA_UID.2/AID	No Dependencies	
FIA_USB.1/AID	(FIA_ATD.1)	FIA_ATD.1/AID
FMT_MTD.1/JCRE	(FMT_SMF.1) and (FMT_SMR.1)	FMT_SMF.1 , FMT_SMR.1
FMT_MTD.3/JCRE	(FMT_MTD.1)	FMT_MTD.1/JCRE
FCO_NRO.2/CM	(FIA_UID.1)	FIA_UID.1/CM
FDP_IFC.2/CM	(FDP_IFF.1)	FDP_IFF.1/CM
FDP_IFF.1/CM	(FDP_IFC.1) and (FMT_MSA.3)	FDP_IFC.2/CM , FMT_MSA.3/CM
FDP_UIT.1/CM	(FDP_ACC.1 or FDP_IFC.1) and (FTP_ITC.1 or FTP_TRP.1)	FDP_IFC.2/CM , FTP_ITC.1/CM
FIA_UID.1/CM	No Dependencies	
FMT_MSA.1/CM	(FDP_ACC.1 or FDP_IFC.1) and (FMT_SMF.1) and (FMT_SMR.1)	FDP_IFC.2/CM , FMT_SMF.1/CM , FMT_SMR.1/CM
FMT_MSA.3/CM	(FMT_MSA.1) and (FMT_SMR.1)	FMT_MSA.1/CM , FMT_SMR.1/CM

Requirements	CC Dependencies	Satisfied Dependencies
FMT_SMF.1/CM	No Dependencies	
FMT_SMR.1/CM	(FIA_UID.1)	FIA_UID.1/CM
FTP_ITC.1/CM	No Dependencies	
FPT_TST.1	No Dependencies	
FCO_NRO.2/CM_DAP	(FIA_UID.1)	FIA_UID.1/PP
FIA_AFL.1/CM	(FIA_UAU.1)	FIA_UAU.1/CM
FIA_UAU.1/CM	(FIA_UID.1)	FIA_UID.1/CM
FIA_UAU.4/CardIssuer	No Dependencies	
FIA_UAU.7/CardIssuer	(FIA_UAU.1)	FIA_UAU.1/CM
FPR_UNO.1/Key_CM	No Dependencies	
FPT_TDC.1/CM	No Dependencies	
FMT_SMR.2/CM	(FIA_UID.1)	FIA_UID.1/PP
FCS_COP.1/CM	(FCS_CKM.1 or FDP_ITC.1 or FDP_ITC.2) and (FCS_CKM.4)	FCS_CKM.1 , FCS_CKM.4
FDP_ACC.2/PP	(FDP_ACF.1)	FDP_ACF.1/PP
FDP_ACF.1/PP	(FDP_ACC.1) and (FMT_MSA.3)	FDP_ACC.2/PP , FMT_MSA.3/PP
FDP_UCT.1/PP	(FDP_ACC.1 or FDP_IFC.1) and (FTP_ITC.1 or FTP_TRP.1)	FDP_ACC.2/PP , FTP_ITC.1/CM
FDP_ITC.1/PP	(FDP_ACC.1 or FDP_IFC.1) and (FMT_MSA.3)	FDP_ACC.2/PP , FMT_MSA.3/PP
FIA_AFL.1/PP	(FIA_UAU.1)	FIA_UAU.1/PP
FIA_UAU.1/PP	(FIA_UID.1)	FIA_UID.1/PP
FIA_UID.1/PP	No Dependencies	
FMT_MSA.1/PP	(FDP_ACC.1 or FDP_IFC.1) and (FMT_SMF.1) and (FMT_SMR.1)	FDP_ACC.2/PP , FMT_SMF.1/PP , FMT_SMR.2/PP
FMT_SMF.1/PP	No Dependencies	
FIA_UAU.4/CardManu	No Dependencies	
FIA_UAU.7/CardManu	(FIA_UAU.1)	FIA_UAU.1/PP
FMT_MOF.1/PP	(FMT_SMF.1) and (FMT_SMR.1)	FMT_SMF.1/PP , FMT_SMR.2/PP
FMT_SMR.2/PP	(FIA_UID.1)	FIA_UID.1/PP
FMT_MSA.3/PP	(FMT_MSA.1) and (FMT_SMR.1)	FMT_MSA.1/PP , FMT_SMR.2/PP
FCS_COP.1/PP	(FCS_CKM.1 or FDP_ITC.1 or FDP_ITC.2) and (FCS_CKM.4)	FDP_ITC.1/PP , FCS_CKM.4/PP
FCS_CKM.4/PP	(FCS_CKM.1 or FDP_ITC.1 or FDP_ITC.2)	FDP_ITC.1/PP
FDP_UIT.1/PP	(FDP_ACC.1 or FDP_IFC.1) and (FTP_ITC.1 or FTP_TRP.1)	FDP_ACC.2/PP , FTP_ITC.1/CM
FCS_CKM.1/PP	(FCS_COP.1) and (FCS_CKM.4)	FCS_COP.1/PP , FCS_CKM.4/PP
FAU_STG.2	(FAU_GEN.1)	
FPT_PHP.3/SCP	No Dependencies	

Requirements	CC Dependencies	Satisfied Dependencies
FPT_RCV.4/SCP	No Dependencies	
FRU_FLT.1/SCP	(FPT_FLS.1)	FPT_FLS.1
FPR_UNO.1/USE_KEY	No Dependencies	
FIA_AFL.1/PIN	(FIA_UAU.1)	
FMT_MTD.2/GP_PIN	(FMT_MTD.1) and (FMT_SMR.1)	FMT_MTD.1/PIN , FMT_SMR.2/CM
FMT_MTD.1/PIN	(FMT_SMF.1) and (FMT_SMR.1)	
FIA_AFL.1/GP_PIN	(FIA_UAU.1)	
FDP_ACC.2/RV_Stack	(FDP_ACF.1)	FDP_ACF.1/RV_Stack
FDP_ACF.1/RV_Stack	(FDP_ACC.1) and (FMT_MSA.3)	FDP_ACC.2/RV_Stack , FMT_MSA.3/RV_Stack
FMT_MSA.1/RV_Stack	(FDP_ACC.1 or FDP_IFC.1) and (FMT_SMF.1) and (FMT_SMR.1)	FMT_SMR.1 , FDP_ACC.2/RV_Stack , FMT_SMF.1/RV_Stack
FMT_MSA.2/RV_Stack	(FDP_ACC.1 or FDP_IFC.1) and (FMT_MSA.1) and (FMT_SMR.1)	FMT_SMR.1 , FDP_ACC.2/RV_Stack , FMT_MSA.1/RV_Stack
FMT_MSA.3/RV_Stack	(FMT_MSA.1) and (FMT_SMR.1)	FMT_SMR.1 , FMT_MSA.1/RV_Stack
FMT_SMF.1/RV_Stack	No Dependencies	
FDP_ACC.2/RV_Heap	(FDP_ACF.1)	FDP_ACF.1/RV_Heap
FDP_ACF.1/RV_Heap	(FDP_ACC.1) and (FMT_MSA.3)	FDP_ACC.2/RV_Heap , FMT_MSA.3/RV_Heap
FMT_MSA.1/RV_Heap	(FDP_ACC.1 or FDP_IFC.1) and (FMT_SMF.1) and (FMT_SMR.1)	FMT_SMR.1 , FDP_ACC.2/RV_Heap , FMT_SMF.1/RV_Heap
FMT_MSA.2/RV_Heap	(FDP_ACC.1 or FDP_IFC.1) and (FMT_MSA.1) and (FMT_SMR.1)	FMT_SMR.1 , FDP_ACC.2/RV_Heap , FMT_MSA.1/RV_Heap
FMT_MSA.3/RV_Heap	(FMT_MSA.1) and (FMT_SMR.1)	FMT_SMR.1 , FMT_MSA.1/RV_Heap
FMT_SMF.1/RV_Heap	No Dependencies	
FDP_ACC.2/RV_Transient	(FDP_ACF.1)	FDP_ACF.1/RV_Transient
FDP_ACF.1/RV_Transient	(FDP_ACC.1) and (FMT_MSA.3)	FDP_ACC.2/RV_Transient , FMT_MSA.3/RV_Transient
FMT_MSA.1/RV_Transient	(FDP_ACC.1 or FDP_IFC.1) and (FMT_SMF.1) and (FMT_SMR.1)	FMT_SMR.1 , FDP_ACC.2/RV_Transient , FMT_SMF.1/RV_Transient
FMT_MSA.2/RV_Transient	(FDP_ACC.1 or FDP_IFC.1) and (FMT_MSA.1) and (FMT_SMR.1)	FMT_SMR.1 , FDP_ACC.2/RV_Transient , FMT_MSA.1/RV_Transient
FMT_MSA.3/RV_Transient	(FMT_MSA.1) and (FMT_SMR.1)	FMT_SMR.1 , FMT_MSA.1/RV_Transient
FMT_SMF.1/RV_Transient	No Dependencies	
FDP_ACC.2/JBox	(FDP_ACF.1)	FDP_ACF.1/JBox
FDP_ACF.1/JBox	(FDP_ACC.1) and (FMT_MSA.3)	FDP_ACC.2/JBox , FMT_MSA.3/JBox

Requirements	CC Dependencies	Satisfied Dependencies
FMT_MSA.1/JBox	(FDP_ACC.1 or FDP_IFC.1) and (FMT_SMF.1) and (FMT_SMR.1)	FDP_ACC.2/JBox , FMT_SMF.1/JBox , FMT_SMR.1
FMT_MSA.3/JBox	(FMT_MSA.1) and (FMT_SMR.1)	FMT_MSA.1/JBox , FMT_SMR.1
FMT_SMF.1/JBox	No Dependencies	

Table 14 SFRs Dependencies

Rationale for the exclusion of Dependencies

The dependency FIA_UID.1 of FMT_SMR.1/Installer is discarded. This ST does not require the identification of the "installer" since it can be considered as part of the TSF.

The dependency FIA_UID.1 of FMT_SMR.1/ADEL is discarded. This ST does not require the identification of the "deletion manager" since it can be considered as part of the TSF.

The dependency FMT_SMF.1 of FMT_MSA.1/JCRE is discarded. The dependency between FMT_MSA.1/JCRE and FMT_SMF.1 is not satisfied because no management functions are required for the Java Card RE.

The dependency FAU_SAA.1 of FAU_ARP.1 is discarded. The dependency of FAU_ARP.1 on FAU_SAA.1 assumes that a "potential security violation" generates an audit event. On the contrary, the events listed in FAU_ARP.1 are self-contained (arithmetic exception, ill-formed bytecodes, access failure) and ask for a straightforward reaction of the TSFs on their occurrence at runtime. The JCVM or other components of the TOE detect these events during their usual working order. Thus, there is no mandatory audit recording in this ST.

The dependency FAU_GEN.1 of FAU_STG.2 is discarded. The FAU_STG.2 is related to the patch. When the identification of the patch is incorrect, the TOE rise a kill Card exception. The FAU_GEN is then discarded as the card returns only the ATR. There is need to store any audit function.

The dependency FIA_UAU.1 of FIA_AFL.1/PIN is discarded. The TOE implements the firewall access control SFP, based on which access to the object implementing FIA_AFL.1/PIN is organized.

The dependency FMT_SMF.1 of FMT_MTD.1/PIN is discarded. The TOE implements the firewall access control of applications based on the AIDs.

The dependency FMT_SMR.1 of FMT_MTD.1/PIN is discarded. The TOE implements the firewall access control of applications based on the AIDs.

The dependency FIA_UAU.1 of FIA_AFL.1/GP_PIN is discarded. The TOE implements the firewall access control SFP, based on which access to the object implementing FIA_AFL.1/GP_PIN is organized.

7.3.4.2 SARs Dependencies

Requirements	CC Dependencies	Satisfied Dependencies
ADV_ARC.1	(ADV_FSP.1) and (ADV_TDS.1)	ADV_FSP.5 , ADV_TDS.4
ADV_FSP.5	(ADV_IMP.1) and (ADV_TDS.1)	ADV_IMP.1 , ADV_TDS.4
ADV_IMP.1	(ADV_TDS.3) and (ALC_TAT.1)	ADV_TDS.4 , ALC_TAT.2
ADV_INT.2	(ADV_IMP.1) and (ADV_TDS.3) and (ALC_TAT.1)	ADV_IMP.1 , ADV_TDS.4 , ALC_TAT.2
ADV_TDS.4	(ADV_FSP.5)	ADV_FSP.5
AGD_OPE.1	(ADV_FSP.1)	ADV_FSP.5
AGD_PRE.1	No Dependencies	
ALC_CMC.4	(ALC_CMS.1) and (ALC_DVS.1) and (ALC_LCD.1)	ALC_CMS.5 , ALC_DVS.2 , ALC_LCD.1
ALC_CMS.5	No Dependencies	
ALC_DEL.1	No Dependencies	
ALC_DVS.2	No Dependencies	
ALC_LCD.1	No Dependencies	
ALC_TAT.2	(ADV_IMP.1)	ADV_IMP.1
ASE_CCL.1	(ASE_ECD.1) and (ASE_INT.1) and (ASE_REQ.1)	ASE_ECD.1 , ASE_INT.1 , ASE_REQ.2
ASE_ECD.1	No Dependencies	
ASE_INT.1	No Dependencies	
ASE_OBJ.2	(ASE_SPD.1)	ASE_SPD.1
ASE_REQ.2	(ASE_ECD.1) and (ASE_OBJ.2)	ASE_ECD.1 , ASE_OBJ.2
ASE_SPD.1	No Dependencies	
ASE_TSS.1	(ADV_FSP.1) and (ASE_INT.1) and (ASE_REQ.1)	ADV_FSP.5 , ASE_INT.1 , ASE_REQ.2
ATE_COV.2	(ADV_FSP.2) and (ATE_FUN.1)	ADV_FSP.5 , ATE_FUN.1
ATE_DPT.3	(ADV_ARC.1) and (ADV_TDS.4) and (ATE_FUN.1)	ADV_ARC.1 , ADV_TDS.4 , ATE_FUN.1
ATE_FUN.1	(ATE_COV.1)	ATE_COV.2
ATE_IND.2	(ADV_FSP.2) and (AGD_OPE.1) and (AGD_PRE.1) and (ATE_COV.1) and (ATE_FUN.1)	ADV_FSP.5 , AGD_OPE.1 , AGD_PRE.1 , ATE_COV.2 , ATE_FUN.1
AVA_VAN.5	(ADV_ARC.1) and (ADV_FSP.4) and (ADV_IMP.1) and (ADV_TDS.3) and (AGD_OPE.1) and (AGD_PRE.1) and (ATE_DPT.1)	ADV_ARC.1 , ADV_FSP.5 , ADV_IMP.1 , ADV_TDS.4 , AGD_OPE.1 , AGD_PRE.1 , ATE_DPT.3

Table 15 SARs Dependencies

7.3.5 Rationale for the Security Assurance Requirements

The ID-One COSMO V9.2 product claims a conformance to the Common Criteria level EAL5, augmented with the component ALC_DVS.2 (sufficiency of security measures), AVA_VAN.5 (advanced methodical vulnerability analysis).

7.3.5.1 AVA_VAN.5 Advanced methodical vulnerability analysis

The TOE is intended to operate in hostile environments. AVA_VAN.5 "Advanced methodical vulnerability analysis" is considered as the expected level for Java Card technology-based products hosting sensitive applications, in particular in payment and identity areas. AVA_VAN.5 has dependencies on ADV_ARC.1, ADV_FSP.4, ADV_TDS.3, ADV_IMP.1, AGD_PRE.1, AGD_OPE.1 and ATE_DPT.1. All of them are satisfied by EAL5.

7.3.5.2 ALC_DVS.2 Sufficiency of security measures

Development security is concerned with physical, procedural, personnel and other technical measures that may be used in the development environment to protect the TOE and the embedding product. The standard ALC_DVS.1 requirement mandated by EAL5 is not enough. Due to the nature of the TOE and embedding product, it is necessary to justify the sufficiency of these procedures to protect their confidentiality and integrity. ALC_DVS.2 has no dependencies.

8 TOE Summary Specification

8.1 TOE Summary Specification

SF_ATOMIC_TRANSACTION

This TSF provides means to execute a sequence of modifications and allocations on the persistent memory so that either all of them are completed, or the TOE behaves as if none of them had been attempted. The transaction mechanism is used for updating internal TSF data as well as for performing different functions of the TOE, like installing a new package on the card. This TSF is also available for applet instances through the `javacard.framework.JCSystem`, `javacard.framework.Util` and `javacardx.framework.util.ArrayLogic` classes. The first class provides the applet instances with methods for starting, aborting and committing a sequence of modifications of the persistent memory. The other classes provide methods for atomically copying arrays. This TSF ensures that the following data is never updated conditionally:

- o The validated flag of the PINs
- o The reason code of the `CardException` and `CardRuntimeException`
- o Transient objects
- o Global arrays, like the APDU buffer and the buffer that the applet instances use to store installation data
- o Any intermediate result state in the implementation instance of the `Checksum`, `Signature`, `Cipher`, and `Message Digest` classes of the Java Card API.

This TSF is in charge of setting back the state of the persistent memory as it was before they were started, when the following operations specified are not completed:

- o Loading and linking of a package
- o Installing a new applet instance
- o Deleting a package
- o Deleting an applet instance
- o Collecting unreachable objects
- o Reading from and writing to a static field, instance field or array position
- o Populating, updating or clearing a cryptographic key
- o Modifying a PIN value

Upon deallocation of a resource from any reference to an object instance created during an aborted transaction, any previous information content of the resource is made unavailable. Finally, this TSF ensures that no transaction is in progress when a method of an applet instance is invoked for installing, deselecting, selecting or processing an APDU sent to the applet instance. Concerning memory limitations on the transaction journal, this TSF guarantees that an exception is thrown when the maximal capacity is reached. The TSF preserves a secure state when such limit is reached. Atomic Transactions are detailed in the chapter *Atomicity and Transactions* of the [R7] and in the documentation associated to the `JCSystem` class in the [R6].

SF_CARD_CONTENT_MANAGEMENT

This TSF ensures the following functionalities:

- o Loading (Section 9.3.5 of [R12]): This function allows the addition of code to mutable persistent memory in the card. During card content loading, this TSF checks that the required packages are already installed on the card. If one of the required packages does not exist, or if the version installed on the card is not binary compatible with the version required, then the loading of the package is rejected. Loading is also rejected if the version of the CAP format of the package is newer than the one supported by the TOE. If any of those checks fails, a suitable error message is returned to the CAD.
- o Installation (Section 9.3.6 of [R12]): This function allows the Installer to create an instance of a previously loaded Applet subclass and make it selectable. In order to do this, the install() method of the Applet subclass is invoked using the context of that new instance as the currently active context. If this method returns with an exception, the exception is trapped and the smart card rolls back to the state before starting the installation procedure.
- o Deletion (Section 9.5 of [R12]): This function allows the Applet Deletion Manager to remove the code of a package from the card, or to definitely deactivate an applet instance, so that it becomes no longer selectable. This TSF performs physical removal of those packages and applet data stored in NVRAM, while only logical removal is performed for applets including in OS package in Flash. This TSF checks that the package or applet actually exists, and that no other package or applet depends on it for its execution. In this case, the entry of the package or applet is removed from the registry, and all the objects on which they depend are garbage collected. Otherwise, a suitable error is returned to the CAD. The deletion of the Applet Deletion Manager, the Installer or any of the packages required for implementing the Java Card platform Application Programming Interface (Java Card API) is not allowed.
- o Extradition (Section 9.4.1 of): This function allows the Installer to associate load files or applet instances to a Security Domain different than their currently associated Security Domain. It is also used to associate a Security Domain to another Security Domain or to itself thus creating Security Domains hierarchies. If this method returns with an exception, the exception is trapped and the smart card rolls back to the state before starting the extradition procedure.
- o Registry update (Section 9.4.2 of): This function allows the Installer to populate, modify or delete elements of the Registry entry of applet instances. If this method returns with an exception, the exception is trapped and the smart card rolls back to the state before starting the extradition procedure.

SF_CARD_MANAGEMENT_ENVIRONMENT

This TSF is in charge of initializing and managing the internal data structures of the Card Manager. During the initialization phase of the card, this TSF creates the Installer and the Applet Deletion Manager and initializes their internal data structures. The internal data structures of the Card Manager includes the Package and Applet Registries, which respectively contains the currently loaded packages and the currently installed applet instances, together with their associated AIDs. This TSF is also in charge of dispatching the APDU commands to the applets instances installed on the card and keeping traces of which are the currently active ones. It therefore handles sensitive TSF data of other security functions, like the Firewall.

SF_CARDHOLDER_VERIFICATION

This TSF enables applet instances to authenticate the sender of a request as the true cardholder. Applet instances have access to these services through the OwnerPIN class. Cardholder authentication is performed using the following security attributes:

- o A secret enabling to authenticate the cardholder
- o The maximum number of consecutive unsuccessful comparison attempts that are admitted
- o A counter of the number of consecutive unsuccessful comparison attempts that have been performed so far
- o The current life cycle state of the secret (reference value). This state is always updated, even if the modification is in the scope of an open transaction. Each time an attempt is made to compare a value to the reference value, and prior to the comparison being actually performed, if the reference is blocked, then the comparison fails and the reference value is not accessed. Otherwise, the try counter is decremented by one. This operation is always performed, even if it is in the scope of an open transaction. If the comparison is successful, then the try counter is reset to the try limit. When the try counter reaches zero, the reference enters into a blocked state, and cannot be used until it is unblocked. Cardholder Verification Method services are implemented to resist to environmental stress and glitches and include measures for preventing information leakage through covert channels. In particular, unsuccessful authentication attempts consume the same power and execution time than successful ones. The Cardmanager uses the class OwnerPin to provide the services to the Applet that want benefit of the Shared GP_PIN. The SF_CARDHOLDER_VERIFICATION implements all Pin verifications: D.PIN, GP.PIN.

SF_CLEARING_OF_SENSITIVE_INFORMATION

This TSF clears all the data containers that hold sensitive information when that information is no longer used or upon the allocation of the resource. This includes:

- o The contents of the memory blocks allocated for storing class instances, arrays, static field images and local variables, before allocating a fresh block
- o The objects reclaimed by the Java Card VM garbage collector
- o The code of the deleted packages
- o The objects accessible from a deleted applet instance
- o The content of the bArray argument of the Applet.install method after a new applet instance is installed
- o The content of CLEAR ON DESELECT transient objects owned by an applet instance that has been deselected when no other applets from the same package are active on the card
- o The content of all transient objects after a card reset
- o The contents of the cryptographic buffer after performing cryptographic operations
- o The Reference to an object instance created during an aborted transaction

Application Note:

This function is in charge of clearing the information contained in the objects that are no longer accessible from the installed packages and applet instances. Clearing is performed on demand of an applet instance through the JCSYSTEM.requestObjectDeletion() method.

SF_DAP_VERIFICATION

An Application Provider may require that its Application code to be loaded on the card is checked for integrity and authenticity. The DAP Verification privilege of the Application Provider's Security Domain detailed in Section 9.2.1 of provides this service on behalf of an Application Provider. A Controlling Authority may require that all Application code to be loaded onto the card shall be checked for integrity and authenticity. The Mandated DAP Verification privilege of the Controlling Authority's Security Domain detailed in Section 9.2.1 of provides this service on behalf of the Controlling Authority. The keys and algorithms to be used for DAP Verification or Mandated DAP Verification are implicitly known by the corresponding Security Domain.

SF_DATA_COHERENCY

As coherency of data should be maintained, and as power is provided by the CAD and might be stopped at all moment (by tearing or attacks), a transaction mechanism is provided. When updating data, before writing the new ones, the old ones are saved in a specific memory area. If a failure appears, at the next start-up, if old data are valid in the transaction area, the system restores them for staying in a coherent state.

SF_DATA_INTEGRITY

Some of the data in non volatile memory can be protected. Keys, PIN package and patch code are protected with integrity value. When reading and writing operation, the integrity value is checked and maintained valid. In case of incoherency, an exception is raised to prevent the bad use of the data. SecureStore is a mean for protecting Java Card data in integrity.

SF_ENCRYPTION_AND_DECRYPTION

This TSF provides the applet instances with mechanisms for encrypting and decrypting the contents of a byte array.

The ciphering algorithms are available to the applets through the Cipher class of the Java Card API, ISOSecureMessaging class and SecureChannel class. The length of the key to be used for the ciphering operation is defined by the applet instance when the key is generated. Before encrypting or decrypting the byte array, the TSF verifies that the specified key has been previously initialized, and that is in accordance with the specified ciphering algorithm (DES, RSA, etc). The TSF also checks that it has been provided with all the information necessary for the encryption/decryption operation. Once the ciphering operation is performed, the internal TSF data used for the operation like the ICV is cleared. Ciphering operations are implemented to resist to environmental stress and glitches and include measures for preventing information leakage through covert channels.

Mechanisms of encrypting and decrypting for Secure Messaging are available to the applets through the SecureChannel (Global Platform Card 2.2 specification) and ISOSecureMessaging (Proprietary API [R44]) classes.

SF_ENTITY_AUTHENTICATION/SECURE_CHANNEL

Off-card entity authentication is achieved by initiating a Secure Channel and provides assurance to the card that it is communicating with an authenticated off-card entity. If any step in the off-card authentication process fails, the process shall be restarted (i.e. new session keys generated). The Secure Channel initiation and off-card entity authentication implies the creation of session keys derived from card static key(s).

SF_EXCEPTION

In case of abnormal event: data unavailable on an allocation, illegal access to a data, the system owns an internal mechanism that allows to stop the code execution and raise an exception.

SF_FIREWALL

This TSF enforces the Firewall security policy and the information flow control policy at runtime. The former policy controls object sharing between different applet instances, and between applet instances and the Java Card RE. The latter policy controls the access to global data containers shared by all applet instances. This TSF is enforced by the Java Card platform Virtual Machine (Java Card VM). During the execution of an applet, the Java Card VM keeps track of the applet instance that is currently performing an action. This information is known as the currently active context. Two kinds of contexts are considered: applet instances contexts and the Java Card RE context, which has special privileges for accessing objects. The TSF makes no difference between instances of applets defined in the same package: all of them belong to the same active context. On the contrary, instances of applets defined in different packages belong to different contexts. Each object belongs to the context that was active when the object was allocated. Initially, when the Java Card VM is launched, the context corresponding to the applet instance selected for execution becomes the first active context. Each time an instance method is invoked on an object, a context switch is performed, and the owner of the object becomes the new active context. On the contrary, the invocation of a static method does not entail a context switch. Before executing a bytecode that accesses an object, the object's owner is checked against the currently active context in order to determine if access is allowed. Access is determined by the Firewall access control rules specified in the chapter Applet Isolation and Object Sharing of the [R7]. Those rules enable controlled sharing of objects through interface methods that the object's owner explicitly exports to other applet instances, and provided that the object's owner explicitly accepts to share it upon request of the method's invoker.

SF_GP_DISPATCHER

While a Security Domain is selected, this function tests for every command, according to the Security Domain life cycle state and the Card life cycle state, if security requirements are needed (if a Secure Channel is required).

SF_HARDWARE_OPERATING

When needed, at each start up or before first use, a self test of each hardware functional module is done, i.e.: DES, RSA, RNG implements a know calculus and checks if the result is correct. When executing, external hardware event can be triggered to prevent attacks or bad use. Temperature, frequency, voltage, light, glitch are considered as abnormal environmental conditions and put the card in frozen state. The TOE shall monitor IC detectors (e.g. out-of-range voltage, temperature, frequency, active shield, memory aging) and shall provide automatic answers to potential security violations through interruption routines that leave the device in a secure state.

The TOE with the IC has detectors of operational conditions. It shall resist to attackers with high-attack potential according to [R11] characterisation, in particular, to leakage attacks, intrusive (e.g. probing, fault injection) and non-intrusive (e.g. SPA, DPA, EMA) attacks, operational conditions manipulation (voltage, clock, temperature, etc) and physical attacks aiming at modification of the IC content or behaviour. To be compliant to related SUN Protection Profile [R5], the off-card verifier is mandatory in this ST; however, this TOE runs

some additional verification at execution time. These verifications ensure that: 1. No read accesses are made to Java Card System code, data belonging to another application, data belonging to the Java Card System, 2. No write accesses are made to another application's code, Java Card System code, another application's data Java Card System or API data, 3. No execution of code is done from a method or from a method fragment belonging to another package (including execution on arbitrary data).

SF_JBOX

The SF_JBOX provides an environment to securely execute native code from third parties. SF_JBOX ensures that only program code and data contained in the JBox can be accessed from within this JBox and therefore cannot harm, manipulate, or influence other parts of the TOE.

Access to the CPU mode, memory outside the JBox, the MMU segment table, and dedicated registers which allow configuration of the MMU and allow system management is prohibited for code executed in the JBox.

The MMU segment table to configure the MMU is part of the JBox. This MMU segment table can be modified during the prepersonalization to specify alternative settings for its initially restrictive values.

SF_KEY_AGREEMENT

This TSF provides the applet instances with a mechanism for supporting key agreement algorithms such as EC Diffie-Hellman [R27].

SF_KEY_DESTRUCTION

This TSF disables the use of a key both logically and physically. When a key is cleared, the internal life cycle of the key container is moved to a state in which no operation is allowed. Applet instances may invoke this TSF through the interfaces declared in the javacard.security package of the Java Card API.

SF_KEY_GENERATION

This TSF enforces the creation and/or the oncard generation of all the cryptographic keys of the card using the method specified in that SFR.

SF_KEY_MANAGEMENT

This function enables key sets management (PIN). It allows creating updating and deleting key sets. It is used to load keys to the card. It also implements verification of Key sets attributes: key lengths, key types... and enforces the loaded keys integrity

SF_AUTHENTICATION

The authentication at prepersonalisation phase by the manufacturer authentication, at use phase by the card Issuer is mandatory at the beginning of a communication session prior to any relevant data being transferred to the TOE. The user uses the random number returned in the INITIALIZE AUTHENTICATION PROCESS Command APDU. EXTERNAL AUTHENTICATE Command APDU is used to verify the cryptogram computed from the challenge by the user (Manufacturer or card issuer).

The max number of unsuccessful authentication attempts (basically 3) is described on the related FIA_AFL.1/PP.

SF_MESSAGE_DIGEST

This TSF provides the applet instances with a mechanism for generating an (almost) unique value for a byte array content. That value can be used as a short representative of the information contained in the whole byte array. The hashing algorithms are available to the applets through the MessageDigest class of the Java Card API. Before generating the hash value, the TSF verifies that it has been provided with all the information necessary for the hashing operation. For those algorithms that do not pad the messages, the TSF checks that the information is block aligned before computing its hash value.

SF_MEMORY_FAILURE

When using the non volatile memory, in case of a bad writing, internal mechanisms are implemented to prevent an incoherency of the written data. In case of an impossible writing, an exception is raised.

SF_PRE_PERSO_AND_PATCHING

This function is in charge of pre-initializing the internal data structures, loading the configuration of the card and loading patch code, if needed. The patch contains its identification elements that are used, during audit, to uniquely identify loaded code.

SF_RANDOM_NUMBER

This TSF provides to card manager, resident application, applets a mechanism for generating challenges and key values. Random number generators are available to the applets through the RandomData class of the Java Card API. Off-card entity authentication is achieved through the process of initiating a Secure Channel and provides assurance to the card that it is communicating with an authenticated off-card entity. If any step in the off-card authentication process fails, the process shall be restarted (i.e. new session keys generated). The Secure Channel initiation and off-card entity authentication implies the creation of session keys derived from card static key(s).

SF_RESIDENT_APPLICATION_DISPATCHER

During prepersonalisation phase, this function tests for every command if manufacturer authentication is required.

SF_RUNTIME_VERIFIER

This security functionality ensures the secure processing of information by ensuring the following elements:

- o Stack Control
- o Heap Control
- o Transient Control

Information on the processing is described on the related FDP_ACF.1.

SF_SECURITY_FUNCTIONS_OF_THE_IC

The TOE uses the security functions of the IC. The list of the security function is presented in the ST lite of the IC component.

SF_SIGNATURE

This TSF provides the applet instances with a mechanism for generating an electronic signature of a byte array content and verifying an electronic signature contained in a byte array. An electronic signature is made of a hash value of the information to be signed encrypted with a secret key. The verification of the electronic signature includes decrypting the hash value and checking that it actually corresponds to the block of signed bytes.

The signature algorithms are available to the applets through the javacard.Signature class of the Java Card API, ISOSecureMessaging class and SecureChannel class. The length of the key to be used for the signature is defined by the applet instance when the key is created. Before generating the signature, the TSF verifies that the specified key is suitable for the operation (secret keys for signature generation), that it has been previously initialized, and that is in accordance with the specified signature algorithm (DES, RSA, etc). The TSF also checks that it has been provided with all the information necessary for the signature operation. For those algorithms that do not pad the messages, the TSF checks that the information to be signed is block aligned before performing the signature operation. Once the signature operation is performed, the internal TSF data used for the operation like the ICV is cleared. Signature operations are implemented to resist to environmental stress and glitches and include measures for preventing information leakage through covert channels.

Mechanisms of signature for Secure Messaging are available to the applets through the SecureChannel (Global Platform Card 2.2 specification) and ISOSecureMessaging (Proprietary API) classes. The signature is included in Data Objects.

SF_UNOBSERVABILITY

This function assures that processing based on secure elements of the TOE does not reveal any information on those elements. For example, observation of a PIN verification cannot reveal the PIN value, observation a cryptographic computation cannot give information on the key.

8.2 SFRs and TSS

8.2.1 SFRs and TSS - Rationale

CoreG LC Security Functional Requirements

Firewall Policy

FDP_ACC.2/FIREWALL The access control policy is ensured by SF_FIREWALL, it controls whether an instance of an applet class declared in a package (subject) may read, write or execute an instance method (operations) of an object (object).

FDP_ACF.1/FIREWALL FIREWALL Security attribute based access control -which security attributes is attached to which subject/object of the policy- is specified in the SF_FIREWALL.

FDP_IFC.1/JCVM This requirement is fulfilled by SF_FIREWALL, this TSF enforces the information flow control rules of Firewall security policy. It controls whether an applet instance or Java Card RE (subject) may store into persistent memory a reference of a global shared data container (objects).

FDP_IFF.1/JCVM This requirement is fulfilled by SF_FIREWALL. This TSF controls operations, based on current active context implemented in SF_FIREWALL.

FDP_RIP.1/OBJECTS This requirement is fulfilled by SF_CLEARING_OF_SENSITIVE_INFORMATION. This TSF clears the contents of the freshly allocated objects before releasing the object to the applet. On the TSF, memory is cleared when the object is removed during Garbage Collection. All this TSF lead to garbage collection.

FMT_MSA.1/JCRE This requirement is fulfilled by SF_FIREWALL. When an instance method is applied to an object, this TSF is in charge of performing a context switch to the context of the object's owner. The TSF is also in charge of dispatching the APDU commands to the applets instances installed on the card and keeping trace of which are the currently active ones.

FMT_MSA.1/JCVM This requirement is fulfilled by SF_FIREWALL. When an instance method is applied to an object, this TSF is in charge of performing a context switch to the context of the object's owner. The TSF is also in charge of dispatching the APDU commands to the applets instances installed on the card and keeping traces of which are the currently active ones.

FMT_MSA.2/FIREWALL_JCVM This requirement is fulfilled by SF_FIREWALL. When an applet instance is selected for execution, this TSF initializes the currently active context with (the context of) that instance. Applet selection includes the verification that the instance actually exists on the card. Then, during the execution of the Java Card VM, this TSF

propagates that secure value the other security attributes involved in the Firewall policy (object's owner).

FMT_MSA.3/FIREWALL This requirement is fulfilled by SF_FIREWALL. This TSF initializes the security attributes of the Firewall and Java Card VM security policies when an applet instance is selected for execution, when an instance method is invoked and when an object is allocated. This TSF does not provide means for a subject to override those initial values.

FMT_MSA.3/JCVM This requirement is fulfilled by SF_FIREWALL. This TSF initializes the security attributes of the Firewall and Java Card VM security policies when an applet instance is selected for execution, when an instance method is invoked and when an object is allocated. This TSF does not provide means for a subject to override those initial values.

FMT_SMF.1 This requirement is fulfilled by SF_CARD_CONTENT_MANAGEMENT. When an instance method is applied to an object; this TSF is in charge of performing a context switch to the context of the object's owner.

FMT_SMR.1 This requirement is fulfilled by SF_FIREWALL. This TSF uses a special value for the currently active context that identifies the Java Card RE (JCRE) and Java Card VM (JCVM).

Application Programming Interface

FCS_CKM.1 This requirement is fulfilled by SF_KEY_GENERATION. It enforces the creation and/or the oncard generation of all the cryptographic keys of the card.

FCS_CKM.4 SF_KEY_DESTRUCTION fulfils this SFR, it enforces the destruction of all the cryptographic keys of the card using the method specified in that SFR.

FCS_COP.1 This SFR is fulfilled by the following set of TSFs:

- o All signature and verification operation by RSA, TDES and AES are fulfilled by SF_SIGNATURE, also fulfilled by SF_KEY_AGREEMENT by providing the applet instances with a mechanism for supporting key agreement algorithms such as EC Diffie-Hellman [R27].
- o This requirement by using SF_ENCRYPTION_AND_DECRYPTION provides the applet instances with a mechanism for encrypting and decrypting the contents of a byte array.
- o SF_SIGNATURE permits to hash functions with SHA-1, SHA-224, SHA-256, SHA-384 and SHA-512. It is also fulfilled by SF_MESSAGE_DIGEST by providing applet instances with a mechanism for generating an (almost) unique value for the contents of a byte array. Also fulfilled by SF_KEY_AGREEMENT by providing the applet instances with a mechanism for supporting key agreement algorithms such as EC Diffie-Hellman [R27].

FCS_RNG.1 This SFR is fulfilled by the following TSF:

- o SF_SECURITY_FUNCTIONS_OF_THE_IC: This TSF ensures that the security functionalities from the chip are provided to the software, and in particular RNG based on AIS31.
- o SF_RANDOM_NUMBER: This TSF is in charge of providing random numbers.

FDP_RIP.1/ABORT Any reference to an object instance created during an aborted transaction- see SF_ATOMIC_TRANSACTIONS- is cleaned by using SF_CLEARING_OF_SENSITIVE_INFORMATION.

FDP_RIP.1/APDU The TSF SF_CLEARING_OF_SENSITIVE_INFORMATION enforces the clearing of the previous contents of the APDU buffer before processing a new APDU.

FDP_RIP.1/bArray The TSF SF_CLEARING_OF_SENSITIVE_INFORMATION enforces the clearing of the previous contents of the buffer containing the installation data of an applet instance before installing a new one.

FDP_RIP.1/GlobalArray The TSF SF_CLEARING_OF_SENSITIVE_INFORMATION enforces the clearing of the previous contents of the buffer. The array is no longer available to any applet and is deleted and the memory in use by the array is cleared and reclaimed in the next object deletion cycle.

FDP_RIP.1/KEYS In order to perform a cryptographic operation, the key involved in the operation has to be copied out of its secure container into the cryptographic buffer of the IC co-processor. This function is in charge of ensuring that such buffer is cleared immediately after completing the operation, the clearing is done by SF_CLEARING_OF_SENSITIVE_INFORMATION.

FDP_RIP.1/TRANSIENT This function is in charge of clearing the information contained in the transient objects when a clearing event arrives (deselection or card reset), invoked by SF_CLEARING_OF_SENSITIVE_INFORMATION.

FDP_ROL.1/FIREWALL This requirement is fulfilled by SF_ATOMIC_TRANSACTION. When the operations specified are not completed, this TSF is in charge of setting back the state of the persistent memory as it was before they were started. As required in chapter 7 of the [R7] and the [R6], this TSF does not undo those modifications performed on the RAM, like the modification of the APDU buffer, the installation buffer, the transient objects, the try counters of the PINs and the reason code of the card exceptions. If the commit capacity is reached, this TSF prevents any further modification of the persistent memory.

Card Security Management

FAU_ARP.1 This SFR is enforced by the following TSFs:

- o The SF_FIREWALL throws an instance of the SecurityException class when an attempt to violate a security policy rule is detected.
- o The SF_EXCEPTION ensures that all cases of exceptions are thrown and managed during javacard runtime environment execution.

FDP_SDI.2/DATA The TSF SF_DATA_INTEGRITY ensures integrity of PIN, Keys and application code (package)(CRC 16). A loss of integrity increases killcard counter.

FPR_UNO.1 The TSF SF_UNOBSERVABILITY ensures no user is able to observe PIN values when authentication of the cardholder.

FPT_FLS.1 This SFR is enforced by the following TSF:

- o SF_ATOMIC_TRANSACTIONS: card tearing and power failures and abortion of a transaction in an unexpected context
- o SF_FIREWALL: violations of the Firewall access control rules,
- o SF_CARD_CONTENT_MANAGEMENT: insufficient resources to install a package and CAP file inconsistency errors.
- o SF_CLEARING_OF_SENSITIVE_INFORMATION: ensures the erase of previous information stored, like the flags of pin or reason code contained in the CardException or CardRuntimeException.

FPT_TDC.1 This SFR is fulfilled by SF_CARD_MANAGEMENT_ENVIRONMENT. It interprets cap files: bytes code and data arguments.

AID Management

FIA_ATD.1/AID This SFR is fulfilled by SF_CARD_CONTENT_MANAGEMENT: It controls the addition of new entries in the Applet Registry. Each time a new entry is added, the TSF controls that it contains the information specified in that SFR. This is done on package loading and applet installation.

FIA_UID.2/AID The TSF SF_FIREWALL identifies the applet instance requesting access to objects through the currently active context. Retrieving the currently active context always precedes the execution of the bytecodes under the control of the Firewall, as this information is required for checking the premises of its access control rules.

FIA_USB.1/AID The TSF SF_FIREWALL uses the security attribute introduced in the SFR to check whether an applet instance (subject) representing an Application Provider (user) may access an object through the firewall.

FMT_MTD.1/JCRE SF_CARD_CONTENT_MANAGEMENT fulfils this SFR, it controls the creation of new applet instances on the card. Each time an applet instance is created, the Installer adds an entry for it in the Applet Registry

FMT_MTD.3/JCRE This SFR is fulfilled by SF_CARD_CONTENT_MANAGEMENT: it controls that only secure values are assigned as attributes of an applet instance. Invalid AIDs for the applet instances, like an AID that is already in use, are also rejected

InstG Security Functional Requirements

FDP_ITC.2/Installer This SFR is implemented by SF_CARD_CONTENT_MANAGEMENT: The SF ensures safe package loading and applet installation process. It modifies the CAP files to produce the TOE intern representation of the loaded package. It also performs coherency checks on the CAP files and verifies the export references.

FMT_SMR.1/Installer This SFR is implemented by SF_CARD_CONTENT_MANAGEMENT: The TSF is in charge of creating the applet instance that plays the role of the Applet Installation Manager.

FPT_FLS.1/Installer This SFR is fulfilled by the following TSFs:

- o The SF_CARD_CONTENT_MANAGEMENT: is in charge of checking that all the conditions for safely installing a package or an applet instance are fulfilled during the installation procedure. If conditions cannot be verified the installation is deemed unsuccessful and either an exception is thrown or the card is frozen, depending of the failure severity. Card tearing or reset also cause an installation failure.
- o SF_ATOMIC_TRANSACTIONS is in charge of rolling back to a secure state when the installation of a package or an applet instance is aborted
- o This function is in charge of clearing the information contained in the packages that is not necessary for the execution of the code of the applet invoked by SF_CLEARING_OF_SENSITIVE_INFORMATION.

FPT_RCV.3/Installer This SFR is fulfilled by the following TSFs:

- o SF_CARD_CONTENT_MANAGEMENT: In case of severe failure during package or applet installation, the card is frozen (KillCard). Such failures (for example the loading of a CAP file with an invalid format) are considered as security problems. The maintenance mode is represented by the frozen state of the card. The secure state is then reached on next card reset where Garbage Collector is launch to retrieve lost memory and where the transaction mechanism allows retrieving the initial state.
- o SF_ATOMIC_TRANSACTION: The TSF is in charge of rolling back to a secure state when the installation of a package or an applet instance is aborted.

ADELG Security Functional Requirements

FDP_ACC.2/ADEL The access control policy for deletion is made by SF_CARD_CONTENT_MANAGEMENT, it controls whether the Applet Deletion Manager (subject) may delete (operation) a package or an applet instance (object).

FDP_ACF.1/ADEL The access control policy for deletion is made by SF_CARD_CONTENT_MANAGEMENT, it controls whether the Applet Deletion Manager (subject) may delete (operation) a package or an applet instance (object).

FDP_RIP.1/ADEL The TSF SF_CLEARING_OF_SENSITIVE_INFORMATION renders inaccessible the code of a deleted package and the class instances and arrays allocated by a deleted applet instance.

FMT_MSA.1/ADEL The ADEL access policy is implemented in SF_CARD_CONTENT_MANAGEMENT, this TSF keeps track of which applet instances are currently active on which logical channels. Only the Card Manager (which in [R5] is identified with the Java Card RE role) is allowed to associate or remove the association between an applet instance and a logical channel. These actions are performed as part of command dispatching

FMT_MSA.3/ADEL The SF_CARD_CONTENT_MANAGEMENT enforces the assignment of restrictive values for the security attributes of the Applet Deletion policy.

FMT_SMF.1/ADEL Modifying the active applet security context is done by SF_CARD_MANAGEMENT_ENVIRONMENT, it's allowed to card manager.

FMT_SMR.1/ADEL This SFR is fulfilled by SF_CARD_MANAGEMENT_ENVIRONMENT: it keeps track of which applet instances are currently active on which logical channels. Only the Card Manager is allowed to associate or remove the association between an applet instance and a logical channel.

FPT_FLS.1/ADEL This SFR is ensured by the following TSFs:

- o SF_CARD_CONTENT_MANAGEMENT is in charge of checking that all the conditions for safely deleting a package or an applet instance are fulfilled before starting the deletion procedure.
- o SF_ATOMIC_TRANSACTION: This TSF is in charge of rolling back to a secure state when the deletion of a package or an applet instance is aborted.
- o SF_CLEARING_OF_SENSITIVE_INFORMATION: is in charge of checking that all the conditions for safely deleting a package or an applet instance are fulfilled before starting the deletion procedure.

ODELG Security Functional Requirements

FDP_RIP.1/ODEL This SFR is met by SF_CLEARING_OF_SENSITIVE_INFORMATION: This TSF renders inaccessible the code of a deleted package and the class instances and arrays allocated by a deleted applet instance.

FPT_FLS.1/ODEL The TSF SF_CLEARING_OF_SENSITIVE_INFORMATION is in charge of checking that all the conditions for safely deleting a package or an applet instance are fulfilled before starting the deletion procedure.

CarG Security Functional Requirements

Miscellaneous

FCO_NRO.2/CM During the loading phase, the SF_CARD_CONTENT_MANAGEMENT: controls card content loading, it verifies the proof of the origin of the Load File. Before to start the loading, the open checks that the user is authenticated, checks the presence of the < DAPBlock > in the < LoadFile >, requires the Security Domain Verifier to verify it.

FDP_IFC.2/CM The rule of the package loading flow control policy is specified by SF_CARD_CONTENT_MANAGEMENT: it verifies that all the loading commands are issued in the Secure Channel session. It compares the Load File Data Block Hash present in the command install for load against the received. It also requires the Dap verification of all entities committed in the loading phase, ensured by SF_DAP_VERIFICATION.

FDP_IFF.1/CM This SFR is implemented by SF_DAP_VERIFICATION, it controls the communication protocol used by the CAD and the card for transmitting packages. The SFR is also implemented in the SF_CARD_CONTENT_MANAGEMENT to ensure the access control policy for the loading of the packages.

FDP_UIT.1/CM This SFR is implemented by SF_DAP_VERIFICATION, it controls imported data from modification, deletion, insertion, replay of some of the pieces of the application sent by the CAD. The verification is made by using: Encryption and decryption operations by SF_ENCRYPTION_AND_DECRYPTION function.

FIA_UID.1/CM The TSF SF_GP_DISPATCHER met this SFR: While the Card manager (ISD) or Supplementary Security domain is selected, these functions test for every command if the secure channel is open. When the secure channel is not open then only these commands are available: Get data and Initialize Update. The initialize Update returns to the user the key set version, Secure Channel identifier and the card random and the card cryptogram.

FMT_MSA.1/CM This SFR is implemented by two security functions:

- SF_KEY_MANAGEMENT: This TSF controls that only the CM can modify its key set and can change the card life cycle and set the default application.
- SF_CARD_CONTENT_MANAGEMENT: This TSF controls whether the active entity has the privilege and the pre-authorization for make the Card Content

Management operations, and that operation still available on the card. Its controls also that the card state allows the operations.

FMT_MSA.3/CM The TSF SF_CARD_CONTENT_MANAGEMENT provides the way to lock the Security Domain with Authorized Management privilege in order to restrict its card content management ability. This TSF provides also to disable permanently the Card Content Management operations for all entities on the card.

FMT_SMF.1/CM The TSF SF_CARD_CONTENT_MANAGEMENT controls whether the active entity has the privilege and the pre-authorization for making the Card Content Management operations - modify security attributes. -, and that operation still available on the card. Its controls also that the card state allows the operations.

FMT_SMR.1/CM The TSF SF_CARD_CONTENT_MANAGEMENT verifies that authentication is successful and the active entity has loading privilege (Authorized Management privilege) before processes any Card Content management command. The successful authentication proves the user identity and role.

FTP_ITC.1/CM Installing a new package is verified by SF_CARD_CONTENT_MANAGEMENT: the SF_GP_DISPATCHER tests if secure channel is required, and verification is made by SF_DAP_VERIFICATION.

Additional Security Functional Requirements for CM

FPT_TST.1 This SFR is supported by the following TSFs:

- o SF_HARDWARE_OPERATING: At each start up, security function SF_Hardware_Operating is done. Random, DES, and CRC functional modules systematically tested: a known calculus is implemented and the result is checked. SHA, RSA, AES and ECC functional modules are tested at each start up or at first use, using the same method.
- o SF_DATA_INTEGRITY: At each start up, the entire NVM integrity, so executable code, is checked. The NVM integrity is updated after patch loading so the next startup does not rise a kill card exception.

FCO_NRO.2/CM_DAP During the loading phase, SF_DAP_VERIFICATION verifies the proof of the origin of the Load File. Before to start the loading, the open checks that the user is authenticated, checks the presence of the < DAPBlock > in the < LoadFile >, requires the Security Domain Verifier to verify it.

FIA_AFL.1/CM This Requirement is fulfilled by SF_ENTITY_AUTHENTICATION/SECURE_CHANNEL. It tests the result of authentication. By default the authentication result is assumed unsuccessful, so the authentication failure is recorded, the associated counter and the slowdown counter are incremented. If the

authentication is successful, the authentication failure counter is decremented and the slowdown counter is reset.

FIA_UAU.1/CM This SFR is fulfilled by the following TSFs:

- o SF_GP_DISPATCHER: While the Card manager (ISD) or Supplementary Security domain is selected, these functions test for every command by SF_GP_DISPATCHER if the secure channel is open.
- o SF_ENTITY_AUTHENTICATION/SECURE_CHANNEL: When the secure channel is not open then only the command available are Get Data, Initialize Update, Select.

FIA_UAU.4/CardIssuer Present the use of CardIssuer authentication, function implemented in SF_ENTITY_AUTHENTICATION/SECURE_CHANNEL, is given by using a RNG defined in SF_RANDOM_NUMBER.

FIA_UAU.7/CardIssuer This SFR is fulfilled by the following TSFs:

- o SF_ENTITY_AUTHENTICATION/SECURE_CHANNEL: It uses the key set version, Secure channel identifier and the card random and the card cryptogram for authentication.
- o SF_RANDOM_NUMBER: It permits CardIssuer Protected authentication feedback, no other information is given while the authentication is in progress.

FPR_UNO.1/Key_CM Import of keys are not observable by all subjects. This requirement is ensured by SF_KEY_MANAGEMENT and SF_UNOBSERVABILITY.

FPT_TDC.1/CM Key set and packages when imported are consistently interpreted by implementation of SF_KEY_MANAGEMENT.

FMT_SMR.2/CM The TSF SF_ENTITY_AUTHENTICATION/SECURE_CHANNEL verifies that authentication is successful and the active entity has loading privilege before processes any Card Content management command. The successful authentication proves the user identity and role.

FCS_COP.1/CM The TSF SF_ENTITY_AUTHENTICATION/SECURE_CHANNEL covers this SFR. It requires the cryptographic operations for the creation and management of secure channel. The TSF SF_ENCRYPTION_AND_DECRYPTION provides a mechanism for encrypting and decrypting the contents of a byte array.

Additional Security Functional Requirements for Resident application

FDP_ACC.2/PP The SFR is fulfilled by the following TSFs:

- o SF_RESIDENT_APPLICATION_DISPATCHER: This TSF implements Access control policy for the resident application,
- o SF_AUTHENTICATION: This TSF is in charge of the card manufacturer authentication and Card Issuer for patch loading.
- o SF_PRE_PERSO_AND_PATCHING: This TSF is in charge of the prepersonalisation and the patch loading.

These TSFs control all access to all objects and all operations.

FDP_ACF.1/PP This SFR is met by the following TSFs:

- o SF_AUTHENTICATION: The rules granting access rights are made by SF_AUTHENTICATION, it guarantees once the Prepersonalisation or the personalisation or the card issuer is authenticated, the card verifies for each action that the authentication is successful.
- o SF_PRE_PERSO_AND_PATCHING: This TSF is in charge of the prepersonalisation and the patch loading.

FDP_UCT.1/PP This SFR is met by the following TSFs:

- o SF_AUTHENTICATION: It controls the access to patch loading function.
- o SF_PRE_PERSO_AND_PATCHING: This TSF is in charge of the prepersonalisation and the patch loading.

FDP_ITC.1/PP The SFR is fulfilled by the following TSFs:

- o SF_AUTHENTICATION enables trusted channel establishment thanks to authentication with the MSK/LSK and allows the prepersonalisation and the patch loading.
- o SF_PRE_PERSO_AND_PATCHING enables to load patches.
- o SF_RESIDENT_APPLICATION_DISPATCHER During prepersonalisation phase, this function tests for every command if manufacturer authentication is required.

FIA_AFL.1/PP The SFR is fulfilled by the following TSFs:

- o SF_AUTHENTICATION: After 3 consecutive unsuccessful authentications a status error is always returned by the card.
- o SF_PRE_PERSO_AND_PATCHING enables to load patches.

FIA_UAU.1/PP The SFR is met by the following TSFs:

- o SF_RESIDENT_APPLICATION_DISPATCHER: The set of command (INITIALIZE AUTHENTICATION PROCESS, GET DATA, MANAGE CHANNEL, SELECT APPLLET) of the resident application can be performed without authentication.
- o SF_PRE_PERSO_AND_PATCHING enables to load patches.

FIA_UID.1/PP This SFR is fulfilled by the following TSFs:

- o SF_RESIDENT_APPLICATION_DISPATCHER: The set of command (INITIALIZE AUTHENTICATION PROCESS, GET DATA, MANAGE CHANNEL, SELECT APPLLET) of the resident application can be performed without authentication.
- o SF_PRE_PERSO_AND_PATCHING enables to load patches.

FMT_MSA.1/PP This SFR is fulfilled by the following TSFs:

- o SF_AUTHENTICATION: The MSK keys of the Card Manufacturer can be modified in Prepersonalisation phase after a successful authentication with the MSK.
- o SF_PRE_PERSO_AND_PATCHING: This TSF is in charge of the prepersonalisation and the patch loading.

FMT_SMF.1/PP This SFR is fulfilled by the following TSFs:

- o SF_AUTHENTICATION: The MSK keys of the Card Manufacturer can be modified in Prepersonalisation phase after a successful authentication with the MSK.
- o SF_PRE_PERSO_AND_PATCHING: This TSF is in charge of the prepersonalisation and the patch loading.

FIA_UAU.4/CardManu This SFR is fulfilled by the following TSF:

- o SF_AUTHENTICATION: Prevents from Card Manufacturer authentication reuse during prepersonalisation

FIA_UAU.7/CardManu This SFR is fulfilled by the following TSF:

- o SF_AUTHENTICATION: During authentication, the command "INITIALIZE AUTHENTICATION PROCESS" is used to provide a random number implemented by the SF_RANDOM_NUMBER. Only Random number and NOK as result of authentication are provided to the user.

FMT_MOF.1/PP This SFR is fulfilled by the following TSFs:

- o SF_PRE_PERSO_AND_PATCHING: This function permits the Prepersonalisation and the patch loading.
- o SF_RESIDENT_APPLICATION_DISPATCHER: During prepersonalisation phase, this function tests for every command if manufacturer authentication is required as commands used to load patches on the card.

FMT_SMR.2/PP This SFR is fulfilled by the following TSFs:

- o SF_PRE_PERSO_AND_PATCHING: This function permits the Prepersonalisation phase and the patch loading.
- o SF_AUTHENTICATION: After a successful authentication (of Card Manufacturer) using MSK, the TSF and card stay still in Prepersonalisation state.
- o SF_RESIDENT_APPLICATION_DISPATCHER: During prepersonalisation phase, this function tests for every command according to the life cycle of the resident application

FMT_MSA.3/PP This SFR is fulfilled by the following TSFs:

- o SF_AUTHENTICATION: This TSF implements Access control policy in perso, personalization and use phase.
- o SF_PRE_PERSO_AND_PATCHING: This TSF implements prepersonalisations operations and loading patches in personalization and use phases.

FCS_COP.1/PP At prepersonalisation phase, authentication cryptogram (signature computation and verification) are used by SF_AUTHENTICATION. Data decryption (of patch or keys), integrity pattern verification (signature/MAC) are used by SF_PRE_PERSO_AND_PATCHING. Encrypted and decrypted data in bytes arrays are manipulated using SF_ENCRYPTION_AND_DECRYPTION. These functions call Cryptographic ones defined in previous FCS_COP operation SF_AUTHENTICATION: This TSF implements Access control policy in preperso phase.

FCS_CKM.4/PP This SFR is fulfilled by the following TSFs:

- o SF_KEY_DESTRUCTION: As soon as the Card Manager status is set to OP_READY, the MSK and LSK key is set to null (as the checksum is also to null) the key is not useful. The MSK after the first use is diversified, according to AGD_PRE [R33]. The new version of the key replaces the previous one.
- o SF_PRE_PERSO_AND_PATCHING: This function permits the Prepersonalisation and the patch loading.

FDP_UIT.1/PP The SFR is fulfilled by the following TSF:

- o SF_PRE_PERSO_AND_PATCHING: The data (patch) sent to the TOE are protected in integrity thanks to a signature computed by the TOE developer with the dedicated key (LSK, MSK, JSK).

FCS_CKM.1/PP The SFR is fulfilled by the following TSFs:

- o SF_KEY_GENERATION: During first command, the individual MSK of the TOE is generated from the master MSK.
- o SF_PRE_PERSO_AND_PATCHING: This function permits the Prepersonalisation and the patch loading.

FAU_STG.2 The SFR is fulfilled by the following TSF:

- o SF_PRE_PERSO_AND_PATCHING: Upon request, the identification of the patch is returned.

Additional Security Functional Requirements for Smart Card Platform

FPT_PHP.3/SCP When executing, SF_HARDWARE_OPERATING shall resist changing operational conditions every times, external hardware event can be triggered to prevent attacks or bad use. Temperature, frequency, voltage, light, glitch are considered as abnormal environmental conditions and put the card in frozen state.

FPT_RCV.4/SCP The TSF SF_DATA_COHERENCY shall ensure that reading from and writing to static and objects' fields interrupted by power loss have the property that the function

either completes successfully, or for the indicated failure scenarios, recovers to a consistent and secure state.

FRU_FLT.1/SCP When there is a failure of FLASH, in case of a bad writing, the SF_MEMORY_FAILURE implements internal mechanisms to prevent an incoherency of the written data. In case of an impossible writing, an exception is raised.

FPR_UNO.1/USE_KEY This SFR is implemented by the following TSF:

- o SF_UNOBSERVABILITY: No user are able to observe keys whether the keys are in use.

Additional Security Functional Requirements for the applets

FIA_AFL.1/PIN This SFR is implemented by the following TSF:

- o SF_CARDHOLDER_VERIFICATION: The TSF detects that the number of PIN presentations exceeds the maximum value previously configured. It blocks the PIN in this case. The entire OwnerPin class is involved in the process since it is used to set the PIN size and the maximum of successful tries, to verify the PIN, to reset the validation flag.

FMT_MTD.2/GP_PIN This SFR is implemented by the following TSF:

- o SF_CARDHOLDER_VERIFICATION: The TOE ensures that the GlobalPin is blocked when its associated PIN try counter at reach the PIN try limit value.

FMT_MTD.1/PIN The SFR is implemented by the following TSF:

- o SF_CARDHOLDER_VERIFICATION provides a complete PIN mechanism: change_default, query and modify to applets.

FIA_AFL.1/GP_PIN This SFR is implemented by the following TSF:

- o SF_CARDHOLDER_VERIFICATION: The TOE checks that only the Card Manager and privileged application can change the pin try limit and Update the global Pin.

Additional Security Functional Requirements for Runtime Verification

Stack Control

FDP_ACC.2/RV_Stack This SFR is implemented by the following TSF:

- o SF_RUNTIME_VERIFIER: The SF implements a complete access control on the Stack operations.

FDP_ACF.1/RV_Stack This SFR is implemented by the following TSF:

- o SF_RUNTIME_VERIFIER: This SFR enforces the access conditions which guarantee the protection of the Stack.

FMT_MSA.1/RV_Stack This SFR is implemented by the following TSF:

- o SF_RUNTIME_VERIFIER: This TSF implements the management of the security attributes.

FMT_MSA.2/RV_Stack This SFR is implemented by the following TSF:

- o SF_RUNTIME_VERIFIER: This TSF ensures that only secure values for the attributes are accepted

FMT_MSA.3/RV_Stack This SFR is implemented by the following TSF:

- o SF_RUNTIME_VERIFIER: This TSF implements the initialisation of the attributes of the access control policy.

FMT_SMF.1/RV_Stack This SFR is implemented by the following TSF:

- o SF_RUNTIME_VERIFIER: The TSF specify the management function to modify the stack pointer. It controls the Stack and is able to change the associated parameter.

Heap Access

FDP_ACC.2/RV_Heap This SFR is implemented by the following TSF:

- o SF_RUNTIME_VERIFIER: it implements the access control to the Heap.,

FDP_ACF.1/RV_Heap This SFR is implemented by the following TSF:

- o SF_RUNTIME_VERIFIER: it ensures the access conditions to the Heap.

FMT_MSA.1/RV_Heap This SFR is implemented by the following TSF:

- o SF_RUNTIME_VERIFIER: This TSF implements the management of the modification of the security attributes of the access control to the Heap.

FMT_MSA.2/RV_Heap This SFR is implemented by the following TSF:

- o SF_RUNTIME_VERIFIER: This TSF implements the control that only security values are accepted for the security attributes.

FMT_MSA.3/RV_Heap This SFR is implemented by the following TSF:

- o SF_RUNTIME_VERIFIER: This TSF implements initialisation of the security attributes.

FMT_SMF.1/RV_Heap This SFR is implemented by the following TSF:

- o SF_RUNTIME_VERIFIER: The TSF directly controls the Heap and is able to change the associated parameter.

Transient Control

FDP_ACC.2/RV_Transient This SFR is implemented by the following TSF:

- o SF_RUNTIME_VERIFIER: it implements the access control to guarantee the protection of Transient objects.

FDP_ACF.1/RV_Transient This SFR is implemented by the following TSF:

- o SF_RUNTIME_VERIFIER: it implements access conditions and defines the security rules which guarantee the protection of Transient objects.

FMT_MSA.1/RV_Transient This SFR is implemented by the following TSF:

- o SF_RUNTIME_VERIFIER: This TSF implements the management of the security attributes for the access control to the transient.

FMT_MSA.2/RV_Transient This SFR is implemented by the following TSF:

- o SF_RUNTIME_VERIFIER: This TSF implements the condition that only secure attributes are accepted for the access control policy to the Transient.

FMT_MSA.3/RV_Transient This SFR is implemented by the following TSF:

- o SF_RUNTIME_VERIFIER: This TSF controls that only restrictive values are accepted for security attributes used to enforce the transient access control policy.

FMT_SMF.1/RV_Transient This SFR is implemented by the following TSF:

- o SF_RUNTIME_VERIFIER: The TSF directly controls the Transient and is able to change the associated parameter.

JBox Security Functional Requirements

FDP_ACC.2/JBox This SFR is implemented by the following TSF:

- o SF_JBOX: The TSF ensure the access control policy applied to the context that manages the execution environment of a piece of code (NVM, RAM, and resource accesses, etc.). It must not access: (i) the platform code, except through the authorized Native services (the available operations, etc.); (ii) the platform data, except through shared memory.

FDP_ACF.1/JBox This SFR is implemented by the following TSF:

- o SF_JBOX: The TSF ensure the access control policy applied to the context that manages the execution environment of a piece of code (NVM, RAM, and resource accesses, etc.). The TSF controls the execution of native code in TPL context.

FMT_MSA.1/JBox This SFR is implemented by the following TSF:

- o SF_JBOX: The TSF ensure the MMU is used and the configuration of MMU cannot be modified.

FMT_MSA.3/JBox This SFR is implemented by the following TSF:

- o SF_JBOX: The TSF ensure the MMU is used and the configuration of MMU cannot be modified.

FMT_SMF.1/JBox This SFR is implemented by the following TSF:

- o SF_JBOX: The TSF ensure a context switch to the context of the object's owner: the switch between TPL context and platform context allow changing MMU context to assign RAM and NVM to the corresponding owner.

8.2.2 Association tables of SFRs and TSS

Security Functional Requirements	TOE Summary Specification
FDP_ACC.2/FIREWALL	SF FIREWALL
FDP_ACF.1/FIREWALL	SF FIREWALL
FDP_IFC.1/JCVM	SF FIREWALL
FDP_IFF.1/JCVM	SF FIREWALL
FDP_RIP.1/OBJECTS	SF CLEARING OF SENSITIVE INFORMATION
FMT_MSA.1/JCRE	SF FIREWALL
FMT_MSA.1/JCVM	SF FIREWALL
FMT_MSA.2/FIREWALL_JCVM	SF FIREWALL
FMT_MSA.3/FIREWALL	SF FIREWALL
FMT_MSA.3/JCVM	SF FIREWALL
FMT_SMF.1	SF CARD CONTENT MANAGEMENT
FMT_SMR.1	SF FIREWALL
FCS_CKM.1	SF KEY GENERATION
FCS_CKM.4	SF KEY DESTRUCTION
FCS_COP.1	SF KEY AGREEMENT, SF MESSAGE DIGEST, SF ENCRYPTION AND DECRYPTION, SF SIGNATURE
FCS_RNG.1	SF SECURITY FUNCTIONS OF THE IC, SF RANDOM NUMBER
FDP_RIP.1/ABORT	SF CLEARING OF SENSITIVE INFORMATION, SF ATOMIC TRANSACTION
FDP_RIP.1/APDU	SF CLEARING OF SENSITIVE INFORMATION
FDP_RIP.1/bArray	SF CLEARING OF SENSITIVE INFORMATION
FDP_RIP.1/GlobalArray	SF CLEARING OF SENSITIVE INFORMATION
FDP_RIP.1/KEYS	SF CLEARING OF SENSITIVE INFORMATION
FDP_RIP.1/TRANSIENT	SF CLEARING OF SENSITIVE INFORMATION
FDP_ROL.1/FIREWALL	SF ATOMIC TRANSACTION
FAU_ARP.1	SF FIREWALL, SF EXCEPTION
FDP_SDI.2/DATA	SF DATA INTEGRITY
FPR_UNO.1	SF UNOBSERVABILITY
FPT_FLS.1	SF ATOMIC TRANSACTION, SF FIREWALL, SF CARD CONTENT MANAGEMENT, SF CLEARING OF SENSITIVE INFORMATION
FPT_TDC.1	SF CARD MANAGEMENT ENVIRONMENT
FIA_ATD.1/AID	SF CARD CONTENT MANAGEMENT
FIA_UID.2/AID	SF FIREWALL

Security Functional Requirements	TOE Summary Specification
FIA USB.1/AID	SF FIREWALL
FMT MTD.1/JCRE	SF CARD CONTENT MANAGEMENT
FMT MTD.3/JCRE	SF CARD CONTENT MANAGEMENT
FDP ITC.2/Installer	SF CARD CONTENT MANAGEMENT
FMT SMR.1/Installer	SF CARD CONTENT MANAGEMENT
FPT FLS.1/Installer	SF ATOMIC TRANSACTION, SF CARD CONTENT MANAGEMENT, SF CLEARING OF SENSITIVE INFORMATION
FPT RCV.3/Installer	SF ATOMIC TRANSACTION, SF CARD CONTENT MANAGEMENT
FDP ACC.2/ADEL	SF CARD CONTENT MANAGEMENT
FDP ACF.1/ADEL	SF CARD CONTENT MANAGEMENT
FDP RIP.1/ADEL	SF CLEARING OF SENSITIVE INFORMATION
FMT MSA.1/ADEL	SF CARD CONTENT MANAGEMENT
FMT MSA.3/ADEL	SF CARD CONTENT MANAGEMENT
FMT SMF.1/ADEL	SF CARD MANAGEMENT ENVIRONMENT
FMT SMR.1/ADEL	SF CARD MANAGEMENT ENVIRONMENT
FPT FLS.1/ADEL	SF CARD CONTENT MANAGEMENT, SF ATOMIC TRANSACTION, SF CLEARING OF SENSITIVE INFORMATION
FDP RIP.1/ODEL	SF CLEARING OF SENSITIVE INFORMATION
FPT FLS.1/ODEL	SF CLEARING OF SENSITIVE INFORMATION
FCO NRO.2/CM	SF CARD CONTENT MANAGEMENT
FDP IFC.2/CM	SF CARD CONTENT MANAGEMENT, SF DAP VERIFICATION
FDP IFF.1/CM	SF CARD CONTENT MANAGEMENT, SF DAP VERIFICATION
FDP UIT.1/CM	SF DAP VERIFICATION, SF ENCRYPTION AND DECRYPTION
FIA UID.1/CM	SF GP DISPATCHER
FMT MSA.1/CM	SF CARD CONTENT MANAGEMENT, SF KEY MANAGEMENT
FMT MSA.3/CM	SF CARD CONTENT MANAGEMENT
FMT SMF.1/CM	SF CARD CONTENT MANAGEMENT
FMT SMR.1/CM	SF CARD CONTENT MANAGEMENT
FTP ITC.1/CM	SF CARD CONTENT MANAGEMENT, SF DAP VERIFICATION, SF GP DISPATCHER
FPT TST.1	SF HARDWARE OPERATING, SF DATA INTEGRITY
FCO NRO.2/CM DAP	SF DAP VERIFICATION
FIA AFL.1/CM	SF ENTITY AUTHENTICATION/SECURE CHANNEL

Security Functional Requirements	TOE Summary Specification
FIA UAU.1/CM	SF ENTITY AUTHENTICATION/SECURE CHANNEL , SF GP DISPATCHER
FIA UAU.4/CardIssuer	SF ENTITY AUTHENTICATION/SECURE CHANNEL , SF RANDOM NUMBER
FIA UAU.7/CardIssuer	SF ENTITY AUTHENTICATION/SECURE CHANNEL , SF RANDOM NUMBER
FPR UNO.1/Key CM	SF KEY MANAGEMENT , SF UNOBSERVABILITY
FPT TDC.1/CM	SF KEY MANAGEMENT
FMT SMR.2/CM	SF ENTITY AUTHENTICATION/SECURE CHANNEL
FCS COP.1/CM	SF ENTITY AUTHENTICATION/SECURE CHANNEL , SF ENCRYPTION AND DECRYPTION
FDP ACC.2/PP	SF AUTHENTICATION , SF RESIDENT APPLICATION DISPATCHER SF PRE PERSO AND PATCHING
FDP ACF.1/PP	SF AUTHENTICATION SF PRE PERSO AND PATCHING
FDP UCT.1/PP	SF AUTHENTICATION , SF PRE PERSO AND PATCHING
FDP ITC.1/PP	SF AUTHENTICATION , SF RESIDENT APPLICATION DISPATCHER , SF PRE PERSO AND PATCHING
FIA AFL.1/PP	SF AUTHENTICATION , SF PRE PERSO AND PATCHING
FIA UAU.1/PP	SF RESIDENT APPLICATION DISPATCHER SF PRE PERSO AND PATCHING
FIA UID.1/PP	SF RESIDENT APPLICATION DISPATCHER SF PRE PERSO AND PATCHING
FMT MSA.1/PP	SF AUTHENTICATION , SF PRE PERSO AND PATCHING
FMT SMF.1/PP	SF AUTHENTICATION , SF PRE PERSO AND PATCHING
FIA UAU.4/CardManu	SF AUTHENTICATION
FIA UAU.7/CardManu	SF AUTHENTICATION , SF RANDOM NUMBER
FMT MOF.1/PP	SF PRE PERSO AND PATCHING , SF RESIDENT APPLICATION DISPATCHER
FMT SMR.2/PP	SF AUTHENTICATION , SF PRE PERSO AND PATCHING , SF RESIDENT APPLICATION DISPATCHER
FMT MSA.3/PP	SF AUTHENTICATION , SF PRE PERSO AND PATCHING
FCS COP.1/PP	SF ENCRYPTION AND DECRYPTION , SF AUTHENTICATION , SF PRE PERSO AND PATCHING
FCS CKM.4/PP	SF KEY DESTRUCTION , SF PRE PERSO AND PATCHING
FDP UIT.1/PP	SF PRE PERSO AND PATCHING

Security Functional Requirements	TOE Summary Specification
FCS CKM.1/PP	SF KEY GENERATION, SF PRE PERSO AND PATCHING
FAU STG.2	SF PRE PERSO AND PATCHING
FPT PHP.3/SCP	SF HARDWARE OPERATING
FPT RCV.4/SCP	SF DATA COHERENCY
FRU FLT.1/SCP	SF MEMORY FAILURE
FPR UNO.1/USE KEY	SF UNOBSERVABILITY
FIA AFL.1/PIN	SF CARDHOLDER VERIFICATION
FMT MTD.2/GP PIN	SF CARDHOLDER VERIFICATION
FMT MTD.1/PIN	SF CARDHOLDER VERIFICATION
FIA AFL.1/GP PIN	SF CARDHOLDER VERIFICATION
FDP ACC.2/RV Stack	SF RUNTIME VERIFIER
FDP ACF.1/RV Stack	SF RUNTIME VERIFIER
FMT MSA.1/RV Stack	SF RUNTIME VERIFIER
FMT MSA.2/RV Stack	SF RUNTIME VERIFIER
FMT MSA.3/RV Stack	SF RUNTIME VERIFIER
FMT SMF.1/RV Stack	SF RUNTIME VERIFIER
FDP ACC.2/RV Heap	SF RUNTIME VERIFIER
FDP ACF.1/RV Heap	SF RUNTIME VERIFIER
FMT MSA.1/RV Heap	SF RUNTIME VERIFIER
FMT MSA.2/RV Heap	SF RUNTIME VERIFIER
FMT MSA.3/RV Heap	SF RUNTIME VERIFIER
FMT SMF.1/RV Heap	SF RUNTIME VERIFIER
FDP ACC.2/RV Transient	SF RUNTIME VERIFIER
FDP ACF.1/RV Transient	SF RUNTIME VERIFIER
FMT MSA.1/RV Transient	SF RUNTIME VERIFIER
FMT MSA.2/RV Transient	SF RUNTIME VERIFIER
FMT MSA.3/RV Transient	SF RUNTIME VERIFIER
FMT SMF.1/RV Transient	SF RUNTIME VERIFIER
FDP ACC.2/JBox	SF JBOX
FDP ACF.1/JBox	SF JBOX
FMT MSA.1/JBox	SF JBOX
FMT MSA.3/JBox	SF JBOX
FMT SMF.1/JBox	SF JBOX

Table 16 SFRs and TSS - Coverage